



# THE NINJAGO MOVIE

70609



1



2



3

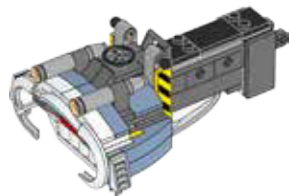


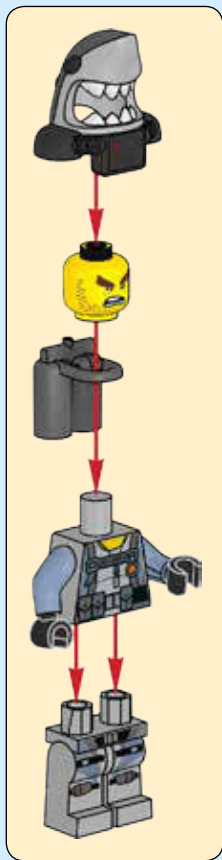
4

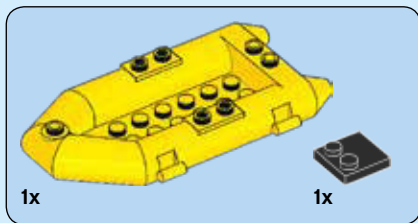




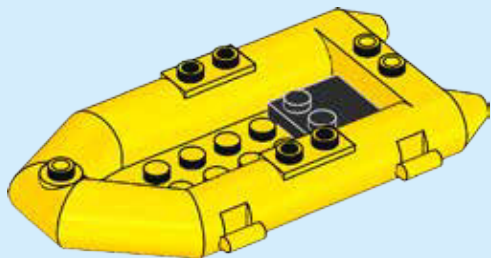
+



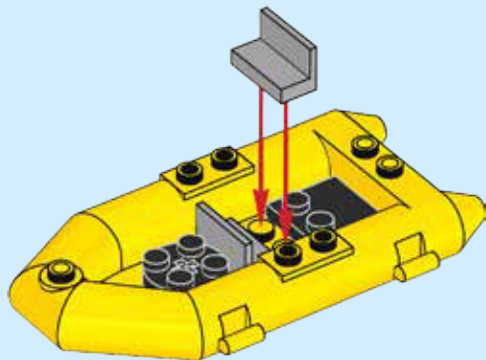




1



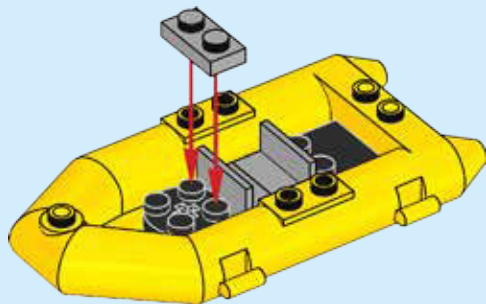
2





1x

3



6



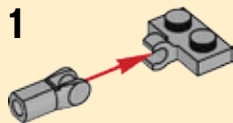
1x



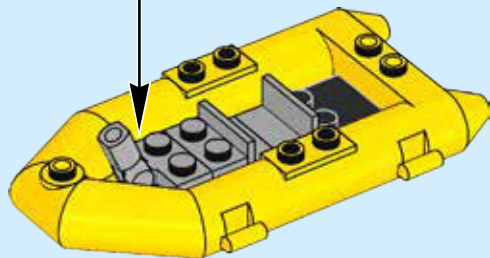
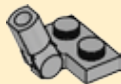
1x

4

1



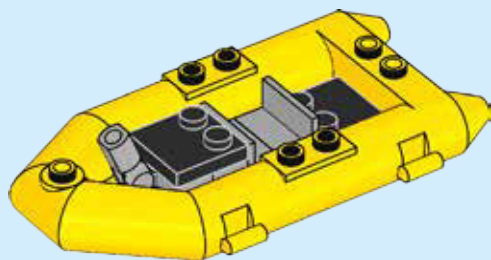
2





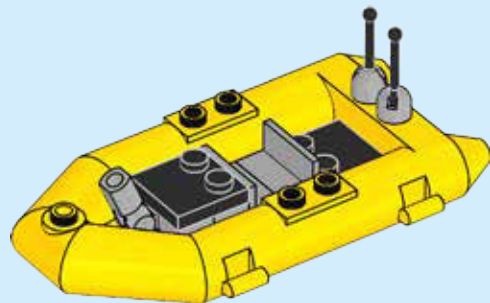
1x

5



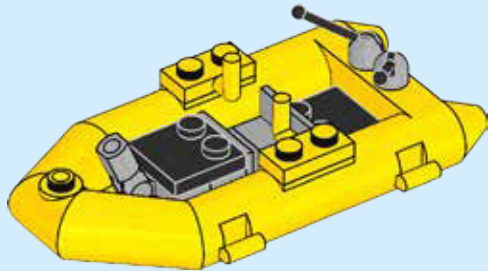
2x

6





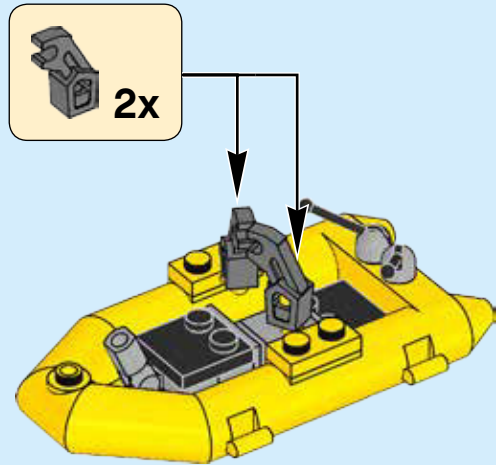
7



8



8







1x

9



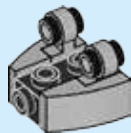
2x

10



2x

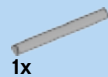
11





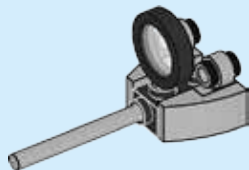
1x

12



1x

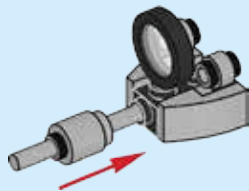
13





1x

14

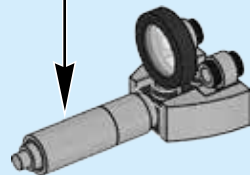
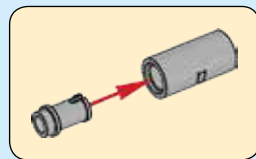


1x



1x

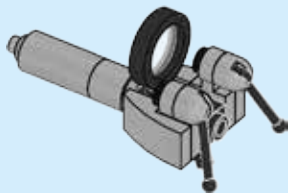
15



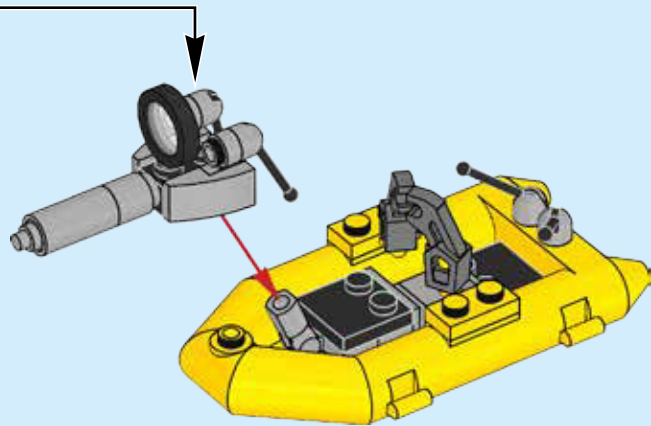


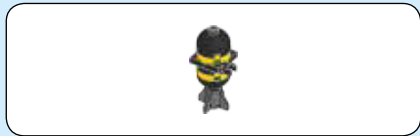
2x

16



17





18

1



2



3



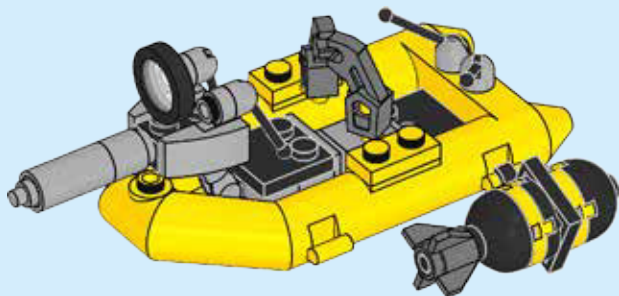
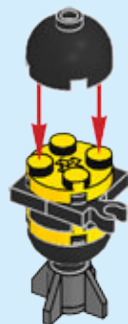
4

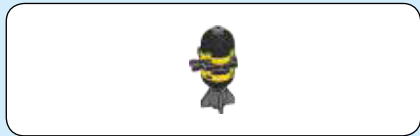


5



6





# 19

1



2



3



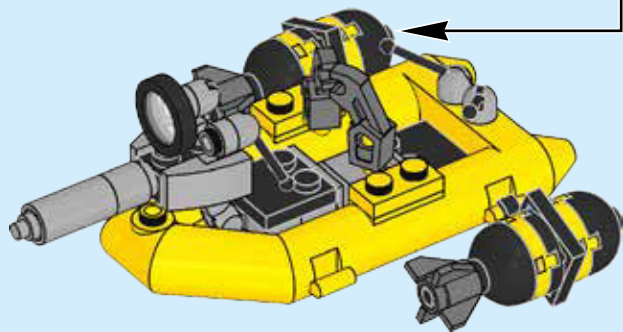
4



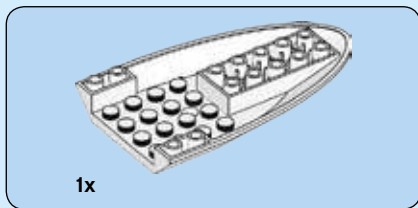
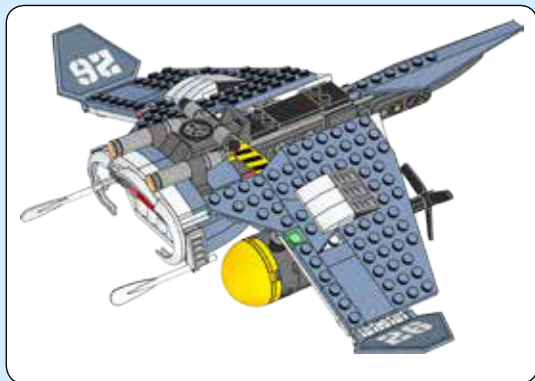
5



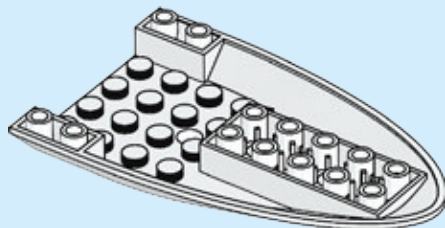
6







1



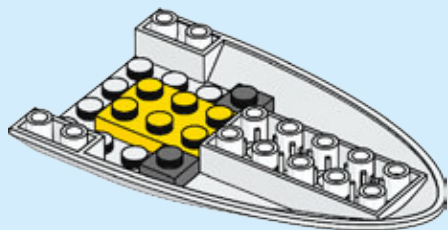


1x



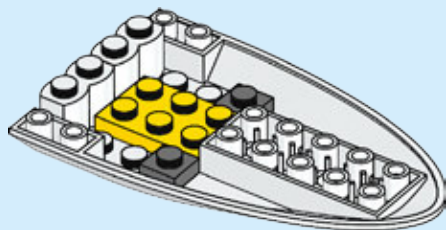
2x

2



2x

3



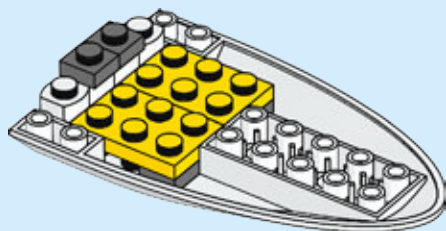


2x



2x

4

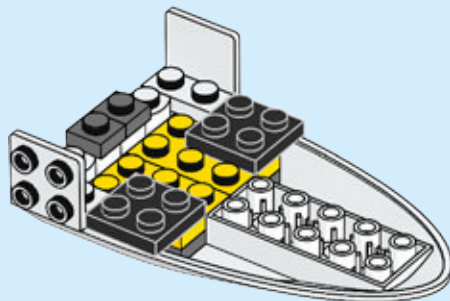


2x

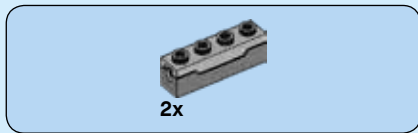


2x

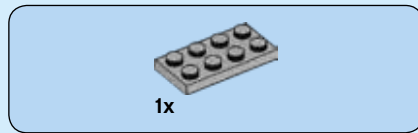
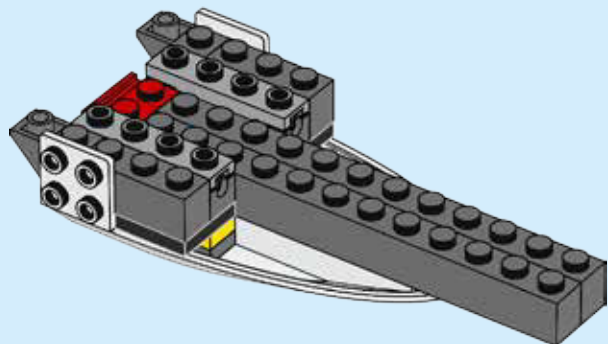
5



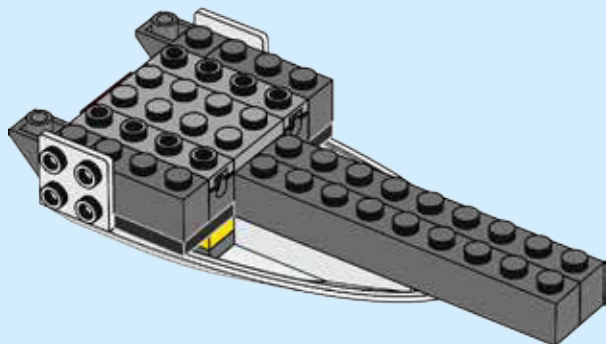




8



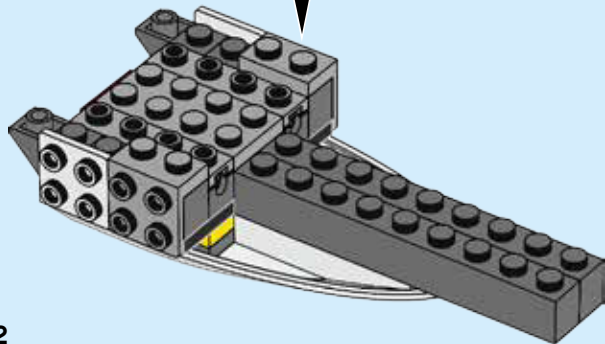
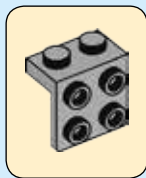
9





2x

10

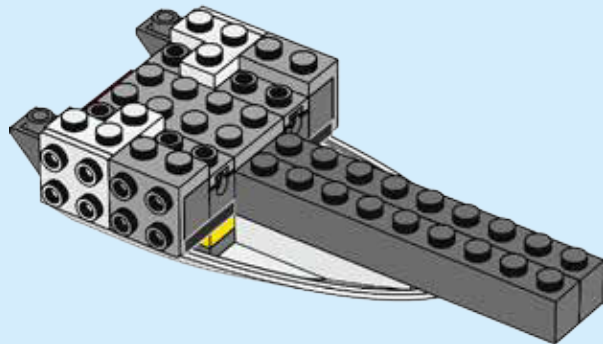


22



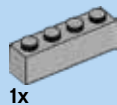
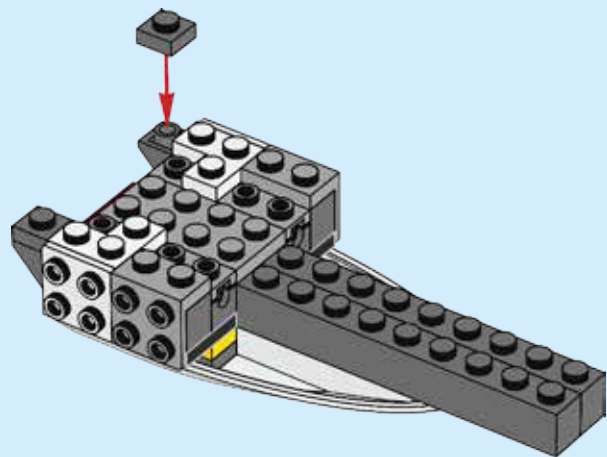
2x

11

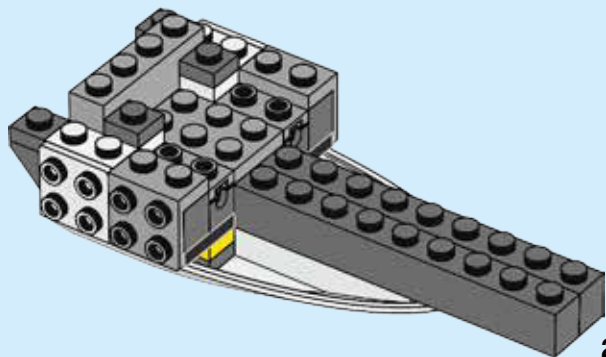


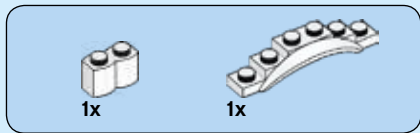


12

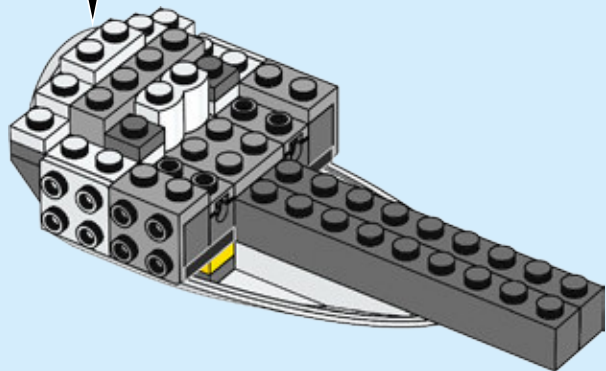
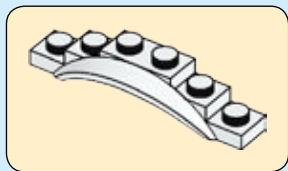


13

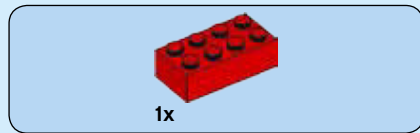




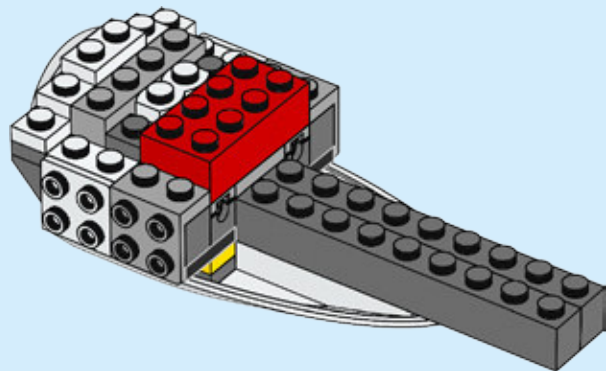
14



24



15





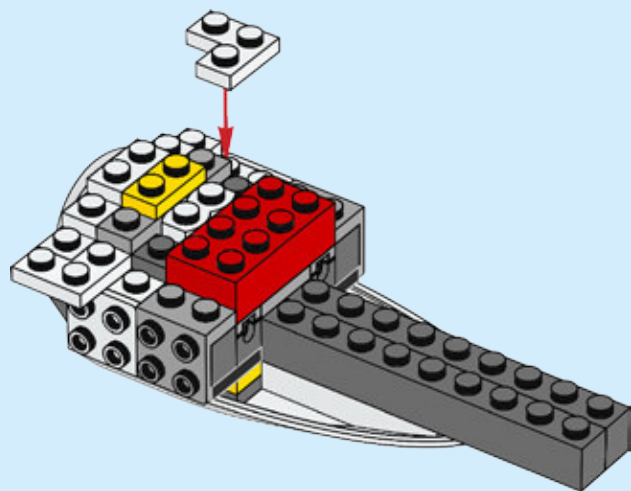


2x



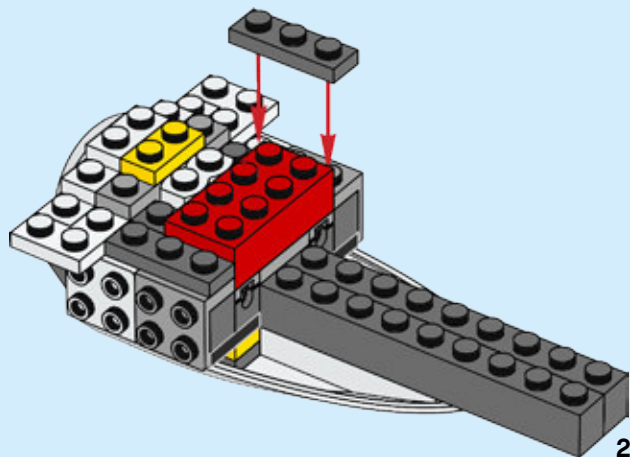
1x

# 16



2x

# 17



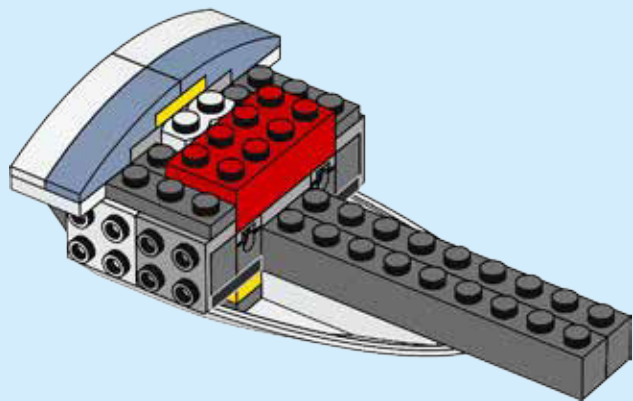


2x



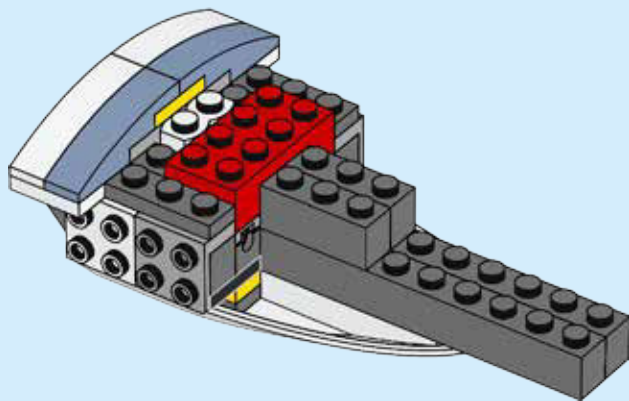
2x

# 18



2x

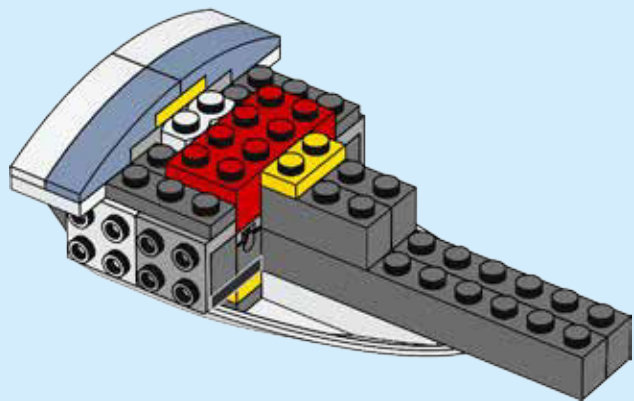
# 19





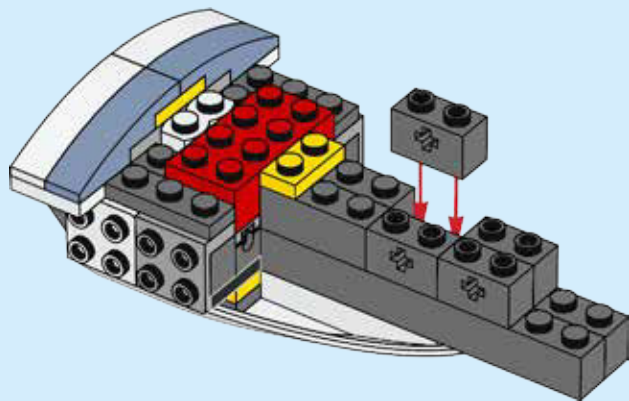
1x

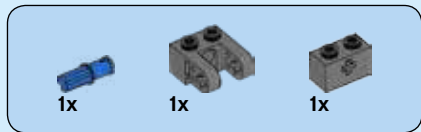
20



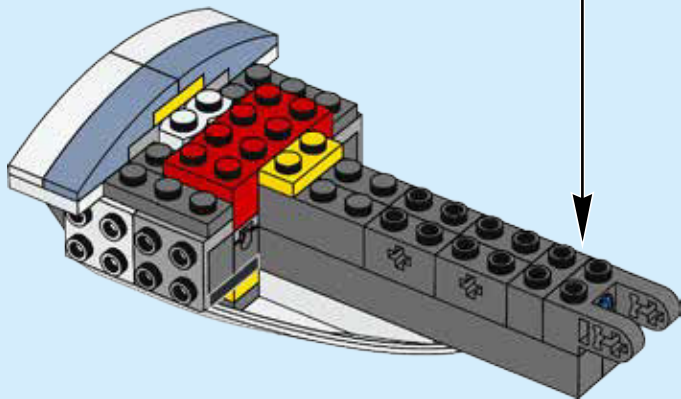
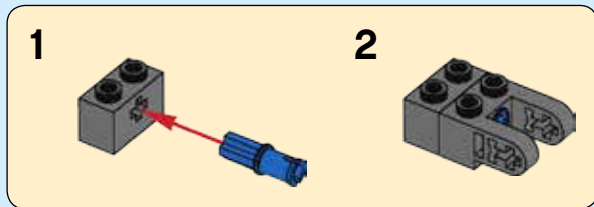
4x

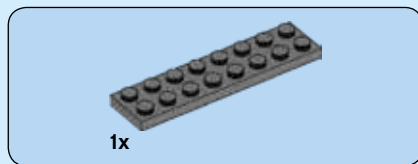
21



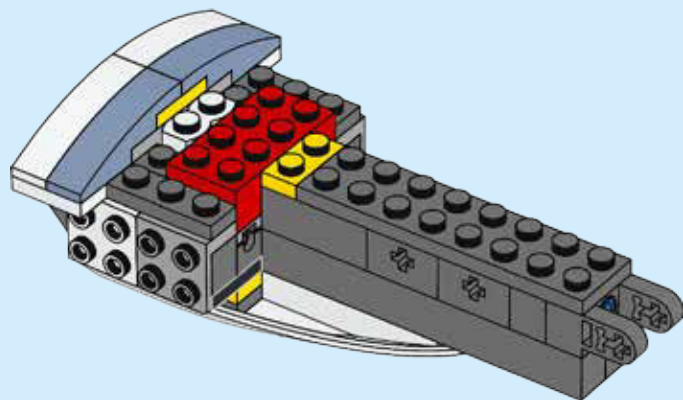


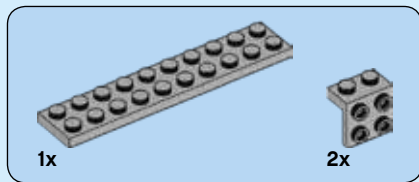
22



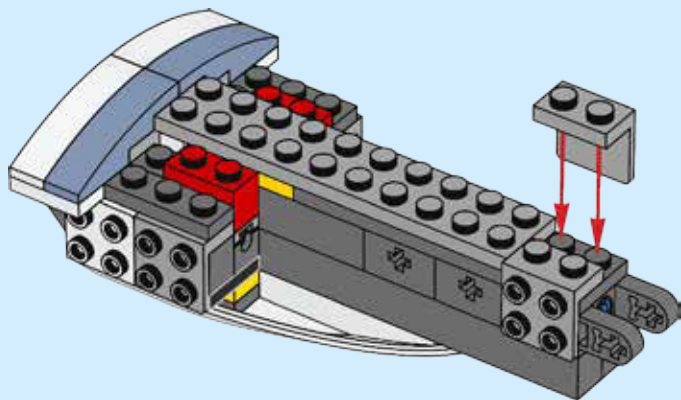


23





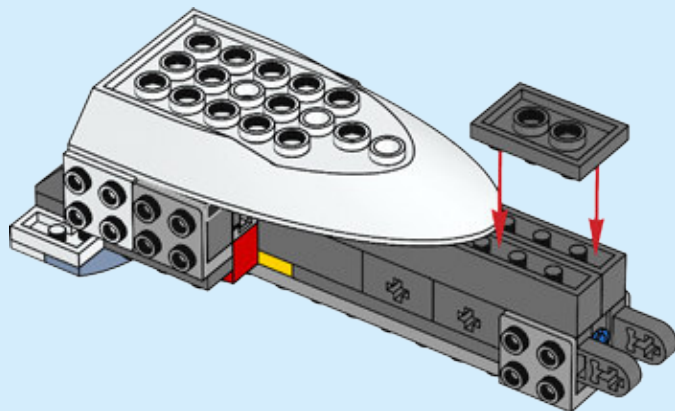
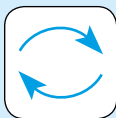
24





1x

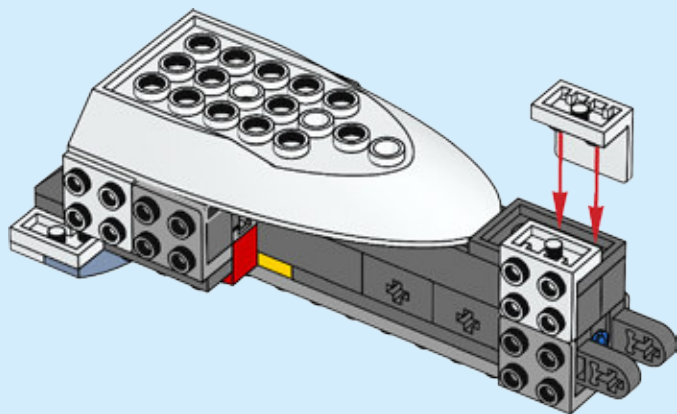
25



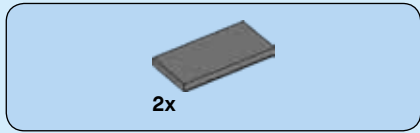


2x

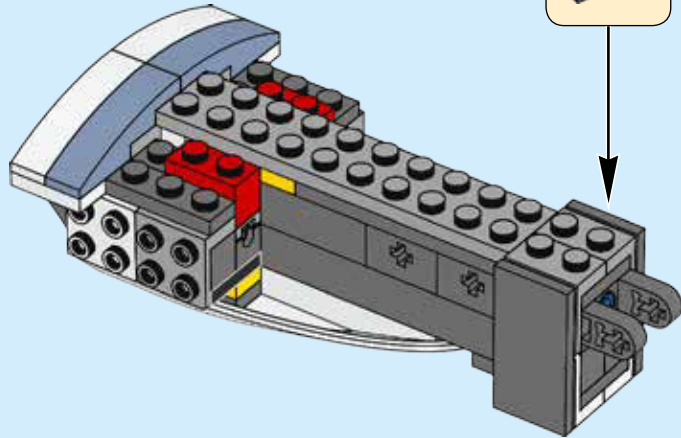
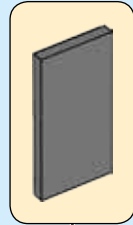
# 26







27



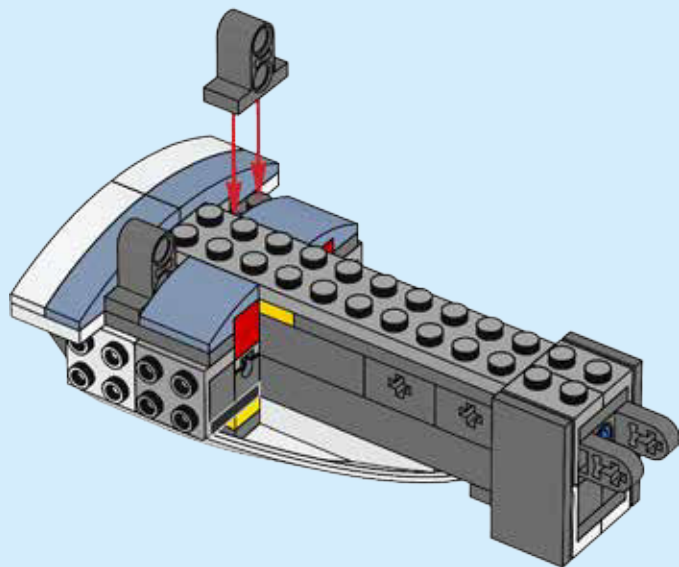


2x



2x

# 28



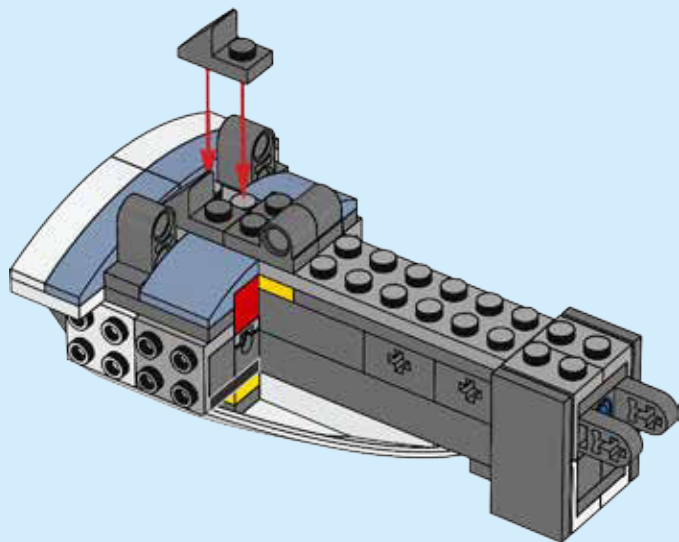


2x



2x

# 29





1x

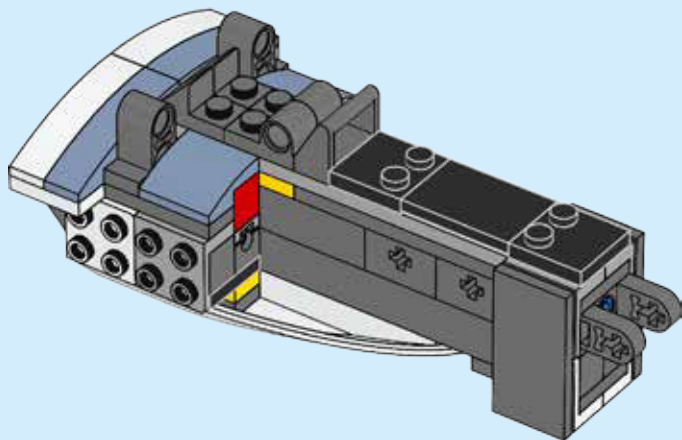


1x



2x

# 30

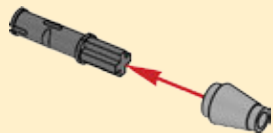




2x

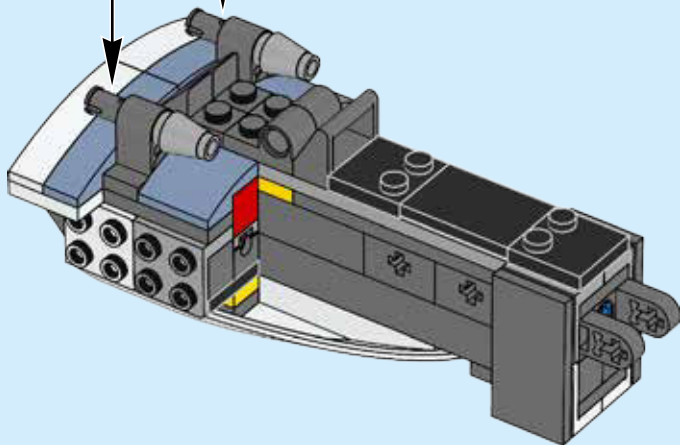


2x



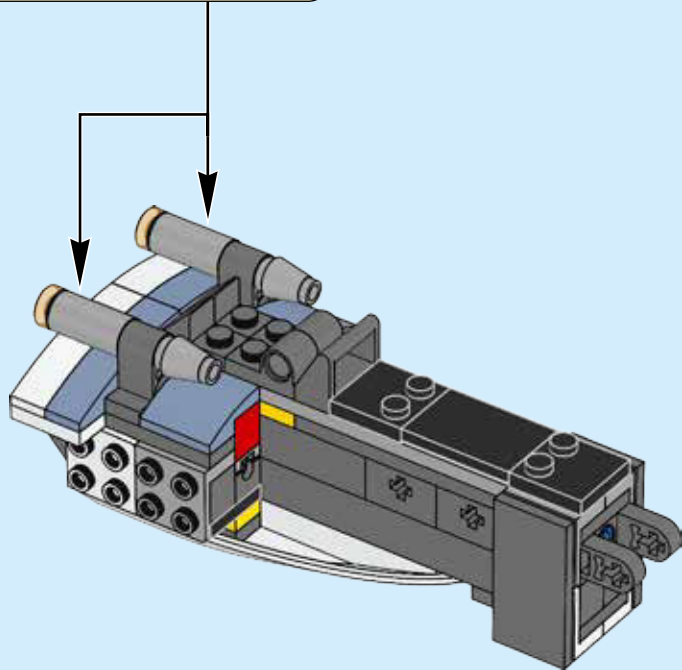
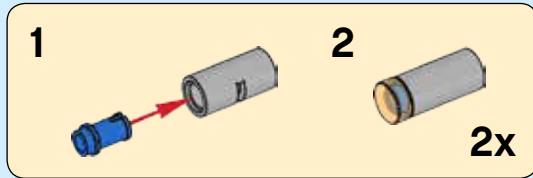
2x

# 31





32



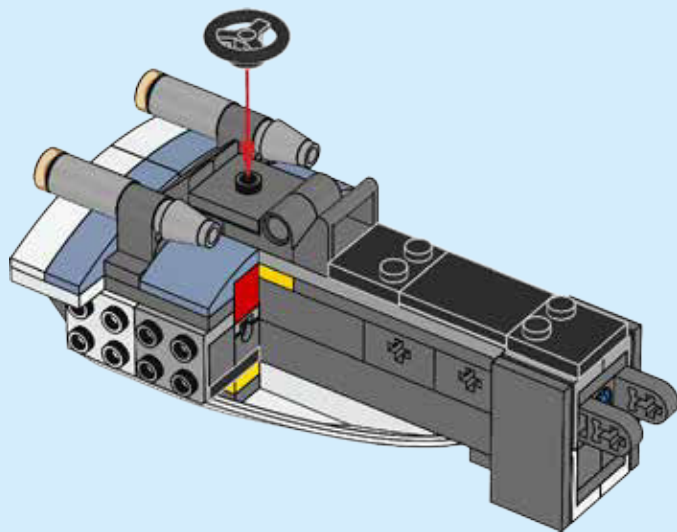


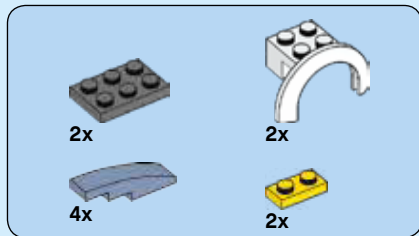
1x



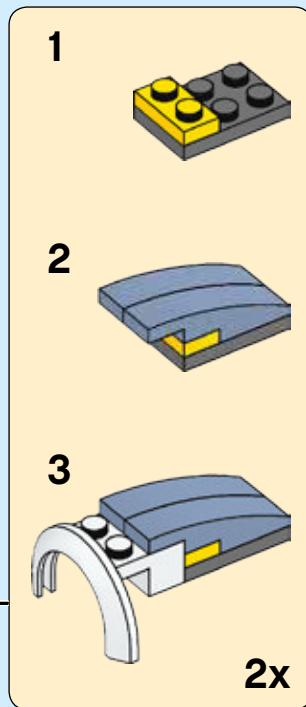
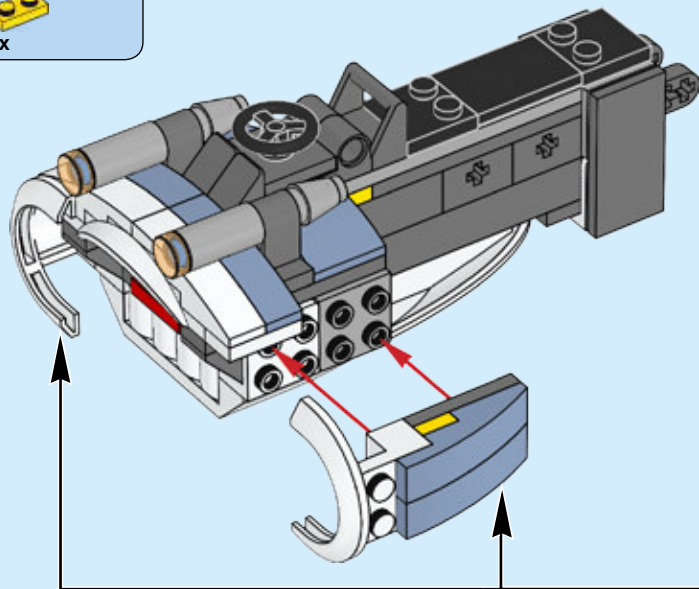
1x

# 33





34





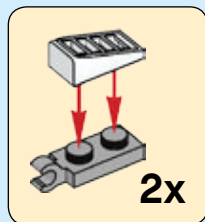


2x

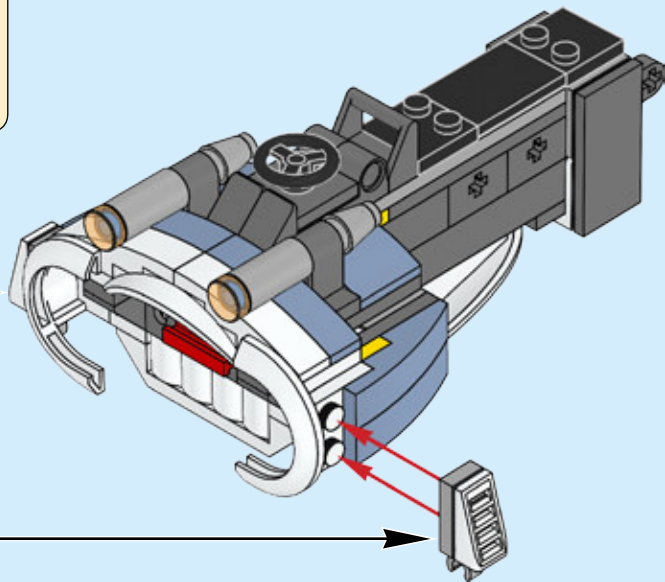


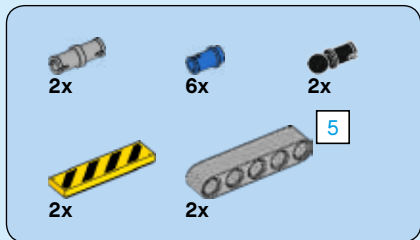
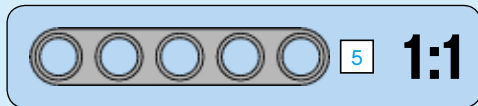
2x

# 35

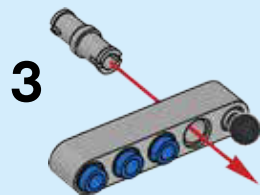
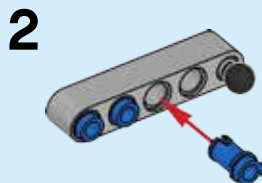
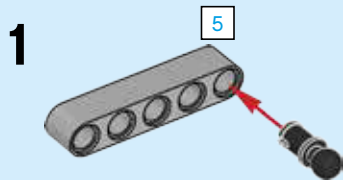


2x





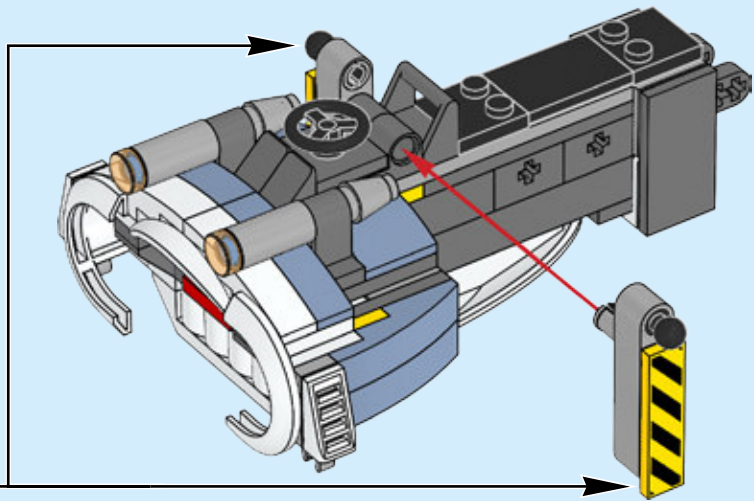
# 36



4



2x



# WIN

GO TO [WWW.LEGO.COM/PRODUCTFEEDBACK](http://WWW.LEGO.COM/PRODUCTFEEDBACK) AND  
GIVE US YOUR SHORT **FEEDBACK** ABOUT THIS  
LEGO® SET FOR A CHANCE TO WIN  
A COOL LEGO PRIZE.

Terms & Conditions apply



## LEGO.com/productfeedback

### GEWINNE

Erzähle uns auf  
[www.LEGO.com/productfeedback](http://www.LEGO.com/productfeedback)

etwas über die Erfahrungen, die du mit  
diesem LEGO® Set gemacht hast, und  
sichere dir die Chance auf einen coolen  
LEGO Preis!

Es gelten die Teilnahmebedingungen

### GAGNE

Rends-toi sur  
[www.LEGO.com/productfeedback](http://www.LEGO.com/productfeedback)

et donne-nous quelques commentaires sur  
ce produit LEGO® pour avoir une chance  
de gagner un prix LEGO !

Voir Conditions Générales

### GANAN

Visita  
[www.LEGO.com/productfeedback](http://www.LEGO.com/productfeedback)

y envíanos tu opinión acerca de este set  
LEGO®. ¡Participarás en el sorteo de un  
premio LEGO!

Términos y Condiciones aplicables

### 获取奖品

登录  
[www.LEGO.com/productfeedback](http://www.LEGO.com/productfeedback)

给出关于此乐高®套装的简短反馈，  
就有机会获得炫酷乐高奖品

《条款及条件》适用

THE LEGO NINJAGO MOVIE © & ™ Warner Bros. Entertainment Inc. & The LEGO Group. LEGO, the LEGO logo, NINJAGO and the Brick and Knob configurations are trademarks of the LEGO Group. ©2017 The LEGO Group. All rights reserved. (s17)

6207795

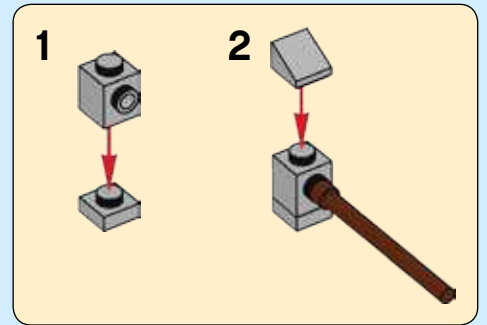
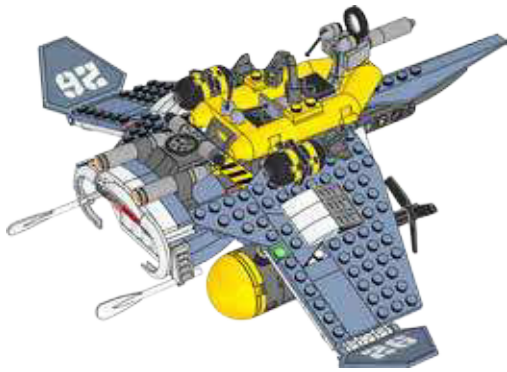
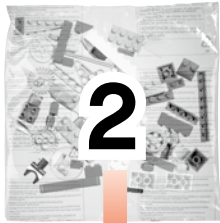


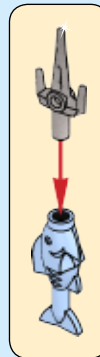
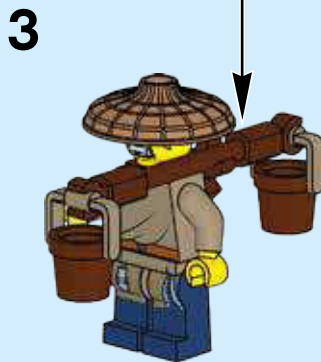
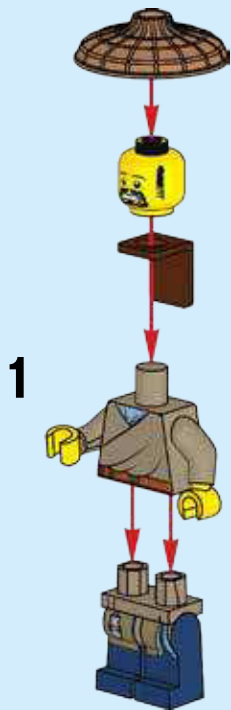
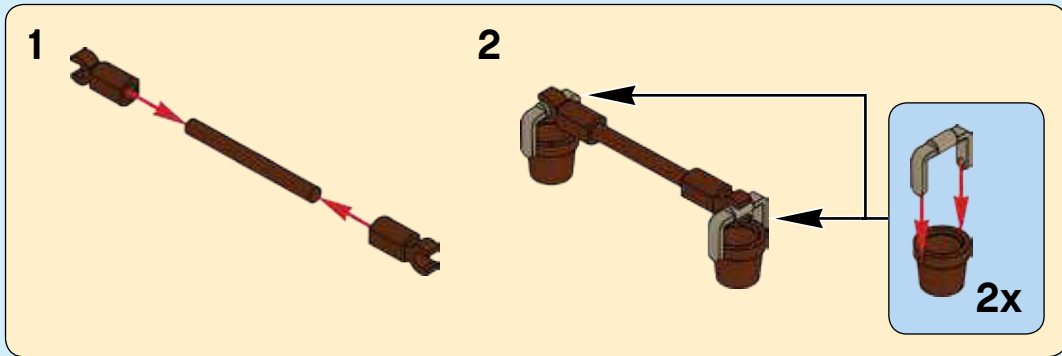
# THE NINJAGO MOVIE

70609





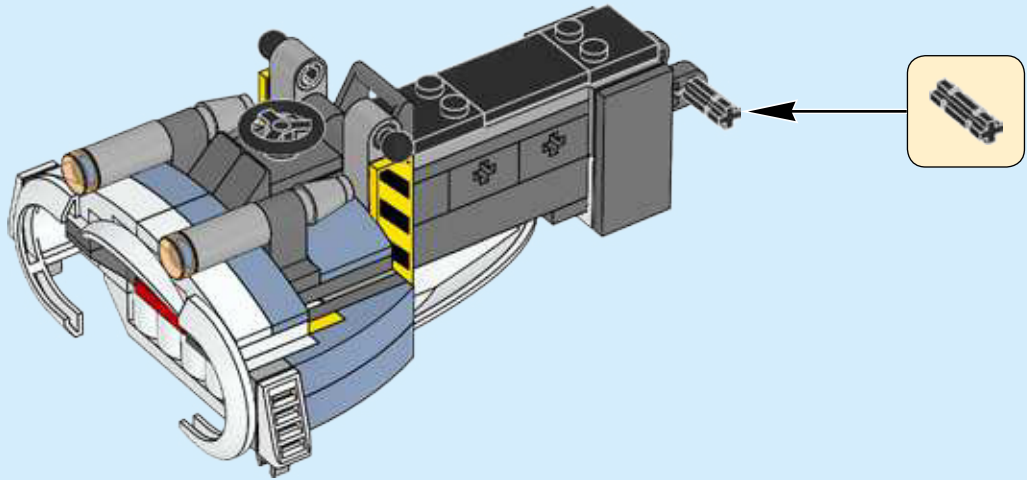




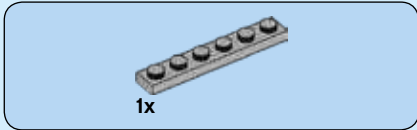
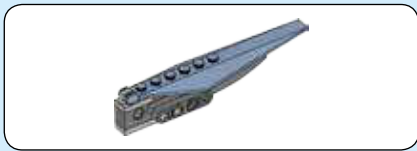


1x

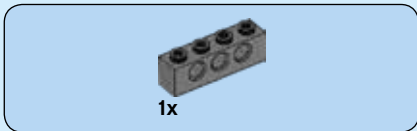
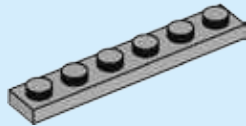
37



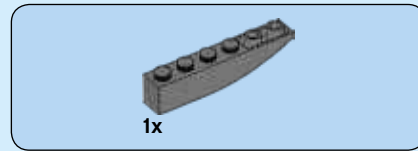
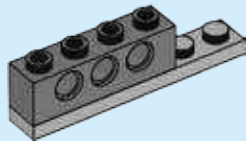




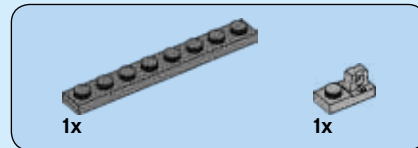
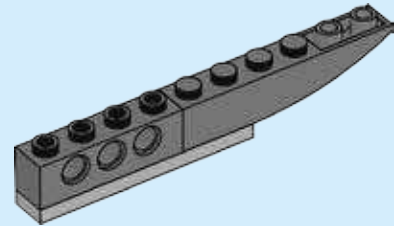
38



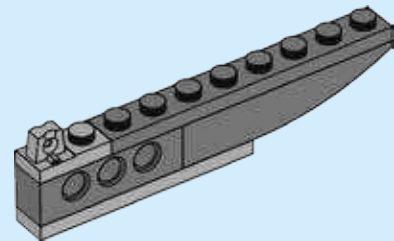
39

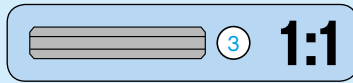
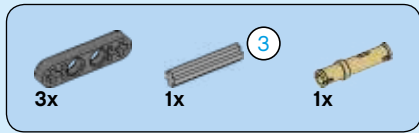


40

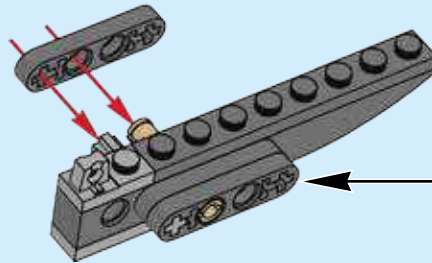
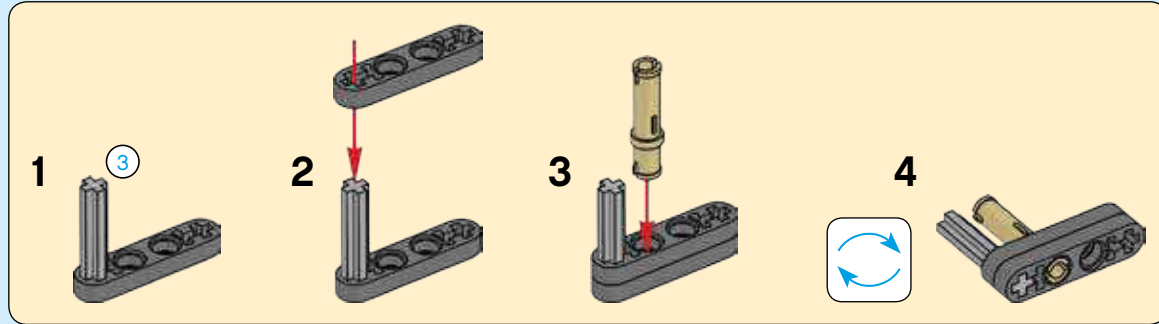


41



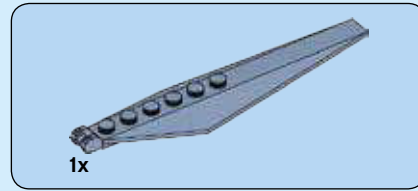
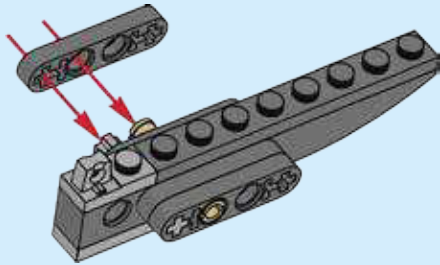


# 42

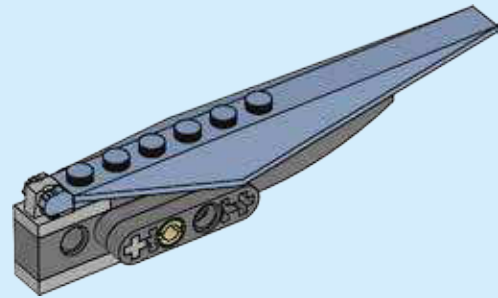




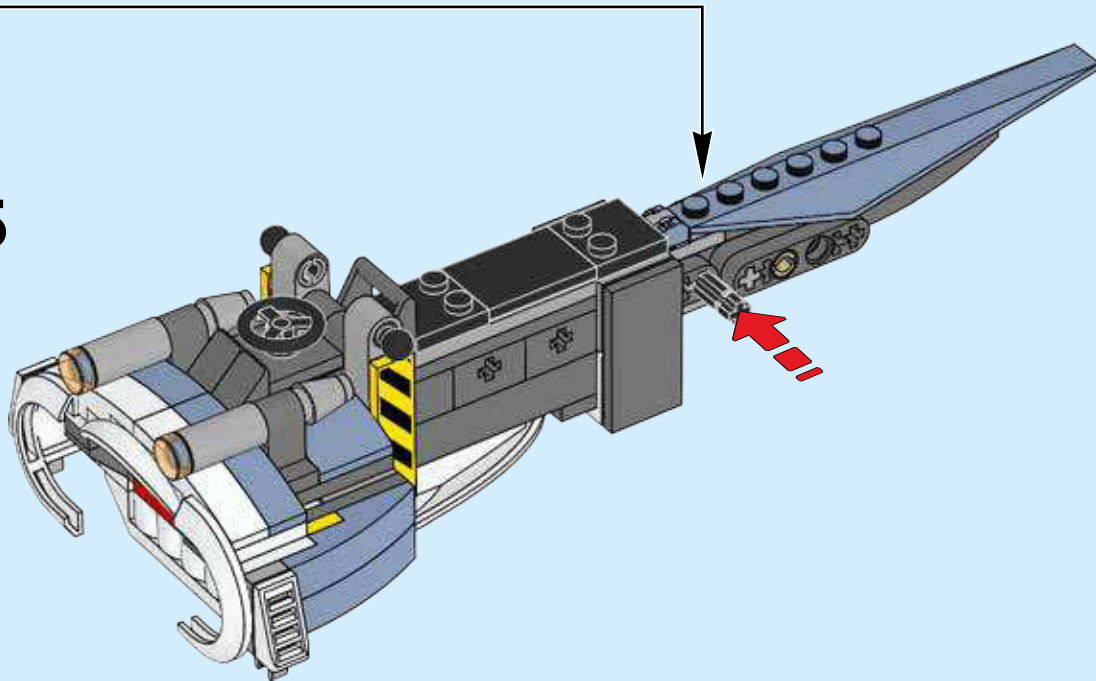
43

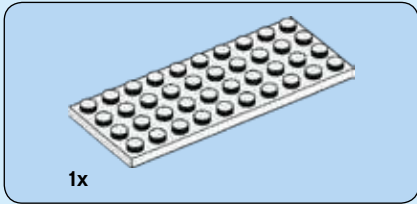
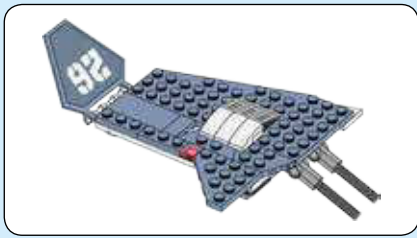


44



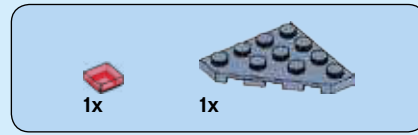
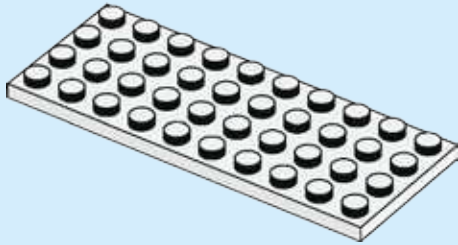
45





1x

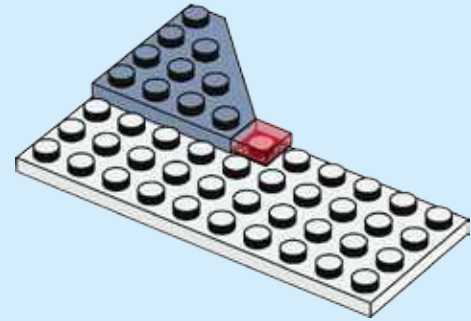
46



1x

1x

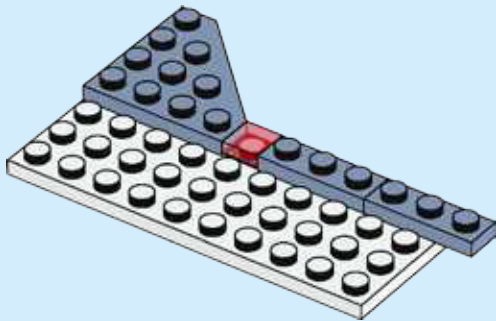
47





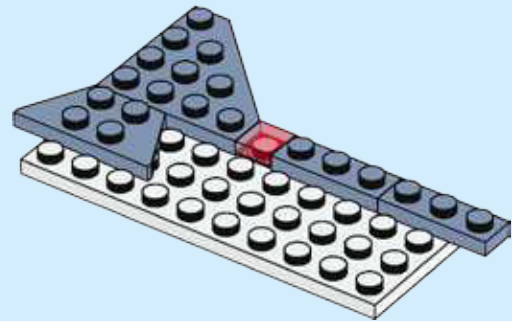
2x

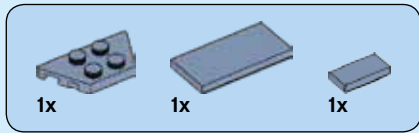
48



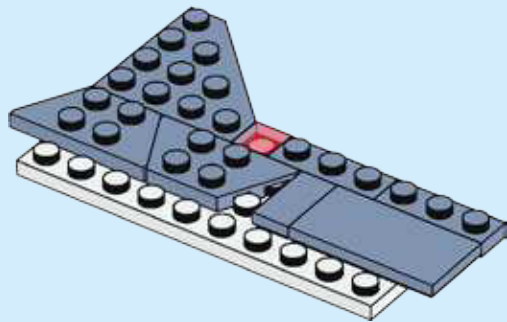
1x

49

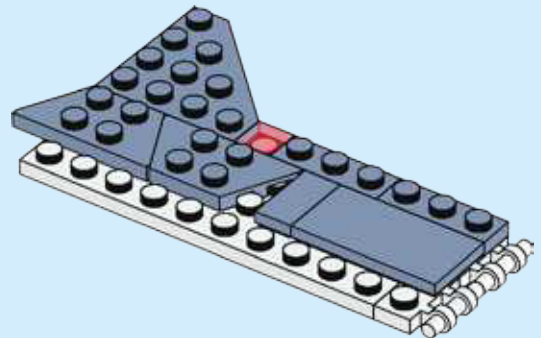


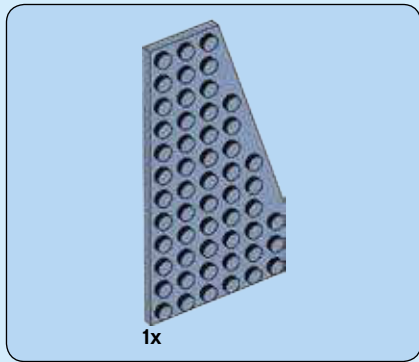


50



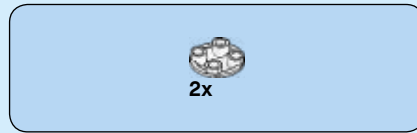
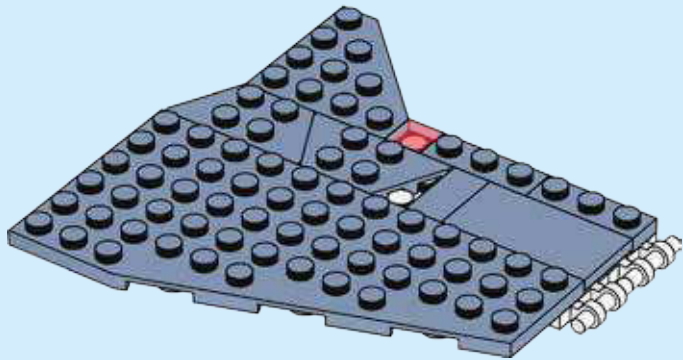
51





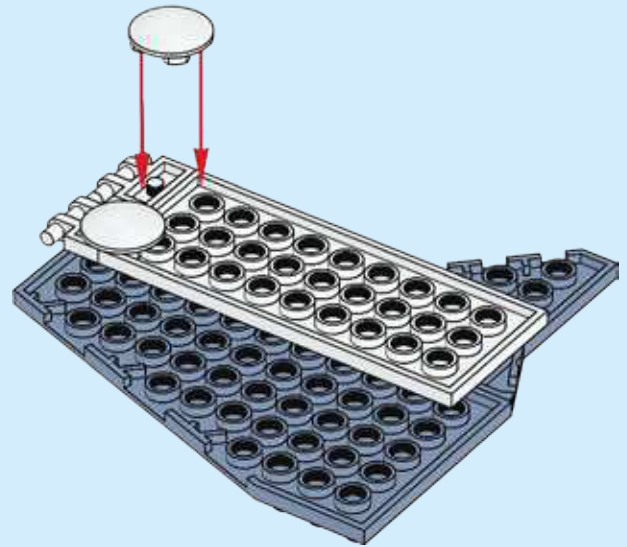
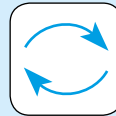
1x

52

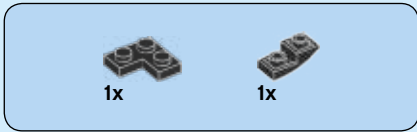


2x

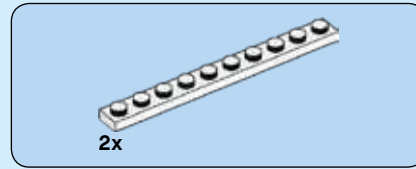
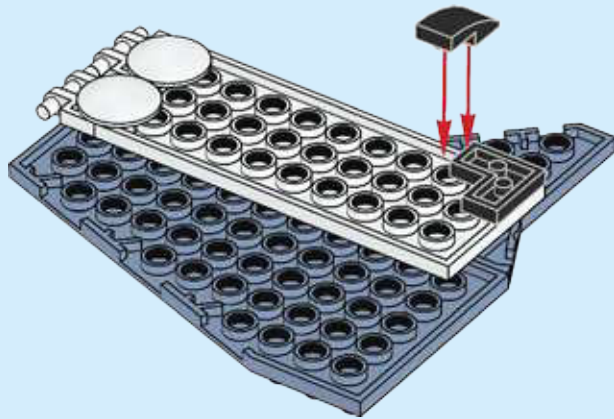
53



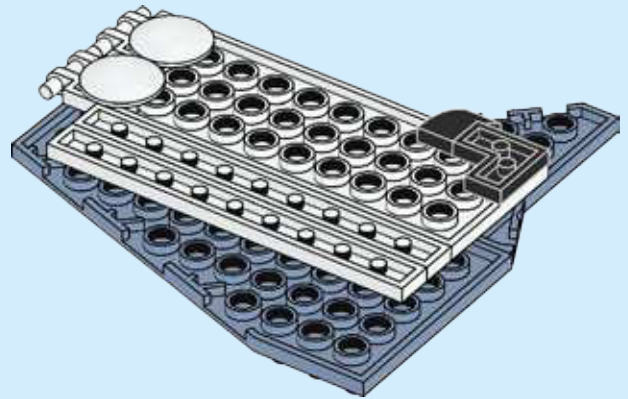


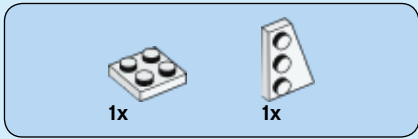


54

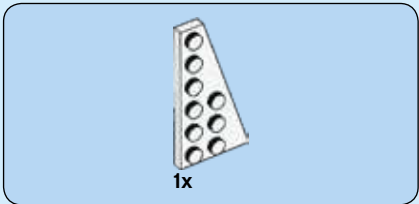


55

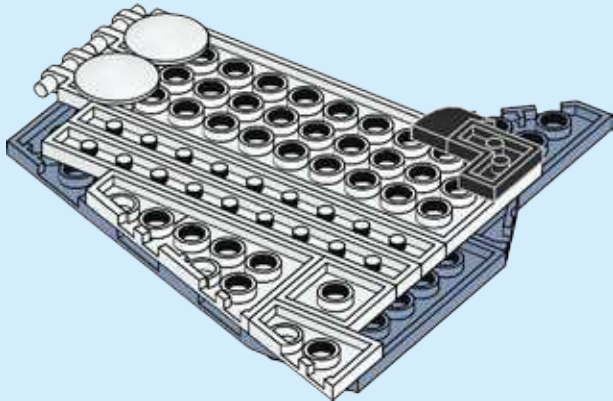
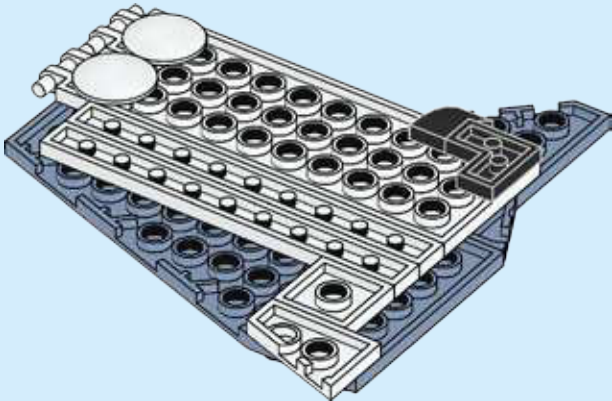




56



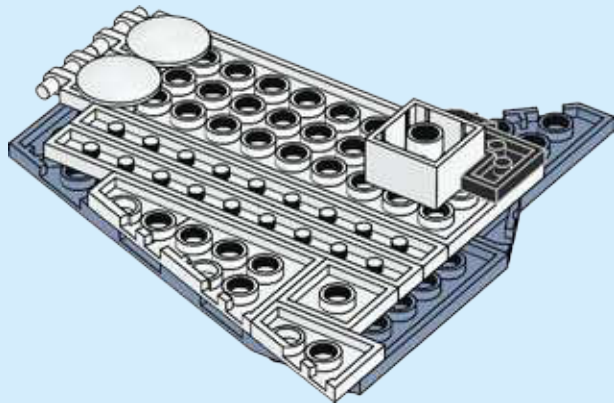
57





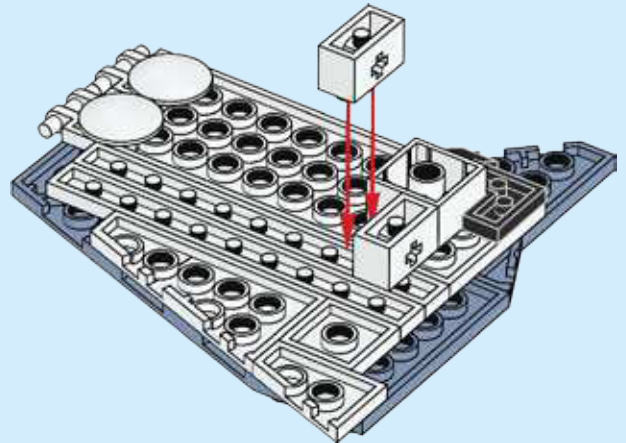
1x

58



2x

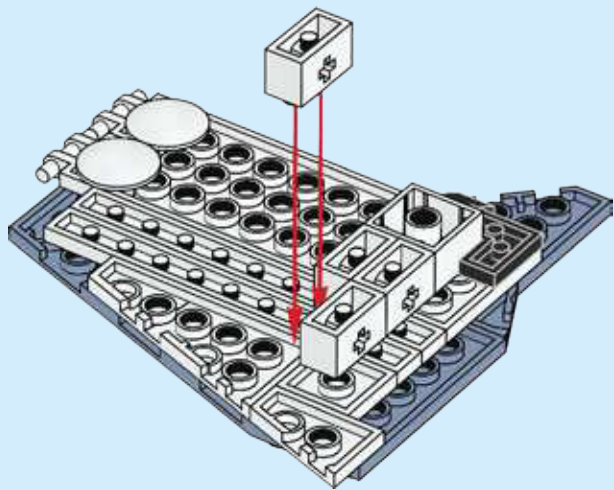
59





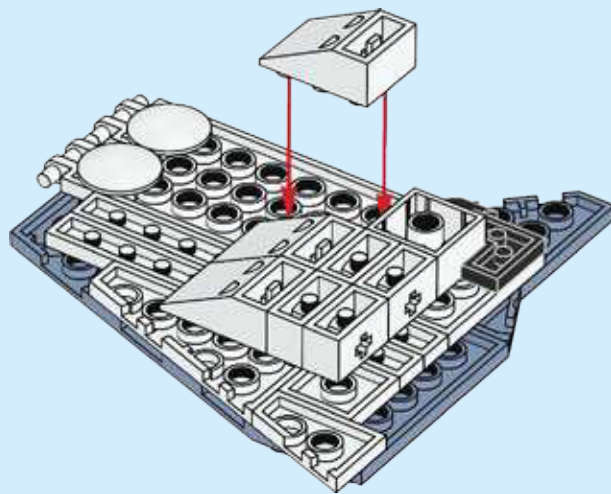
2x

# 60



3x

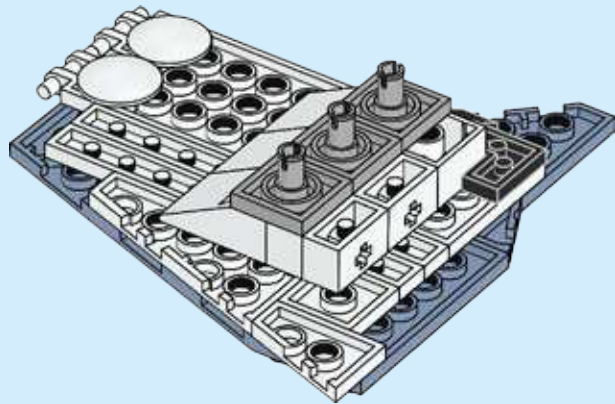
# 61





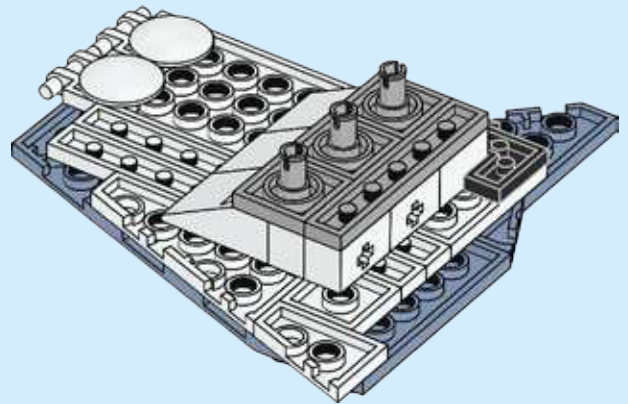
3x

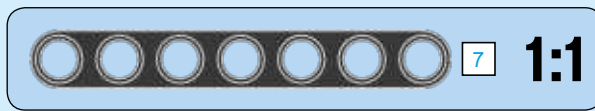
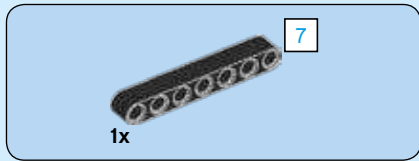
62



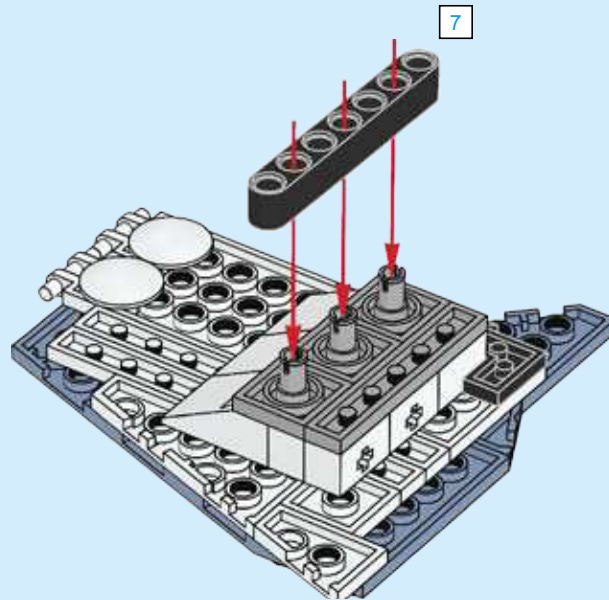
1x

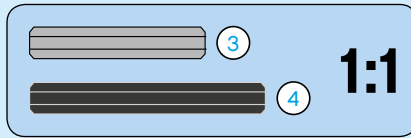
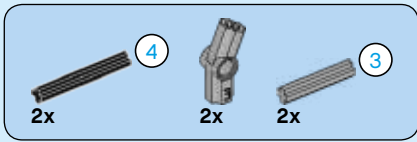
63



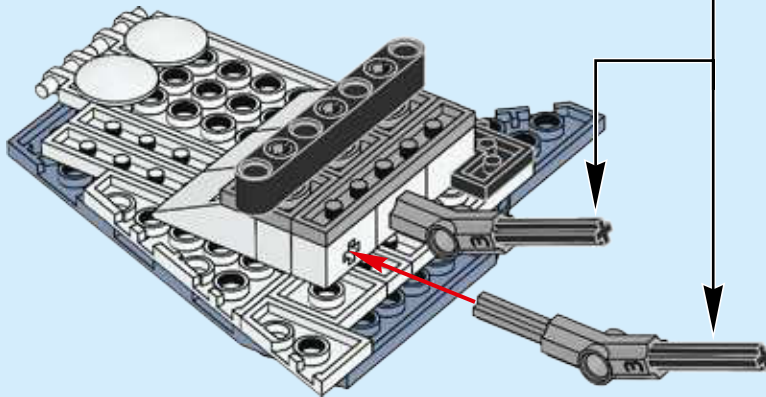
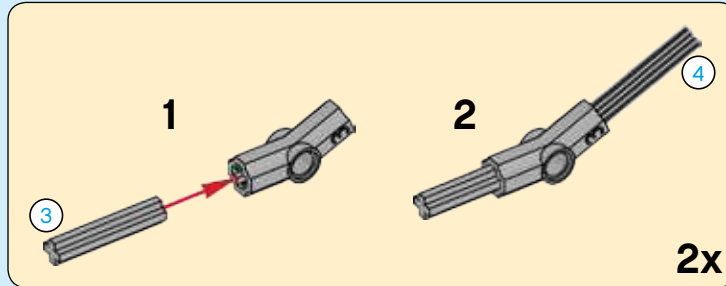


64





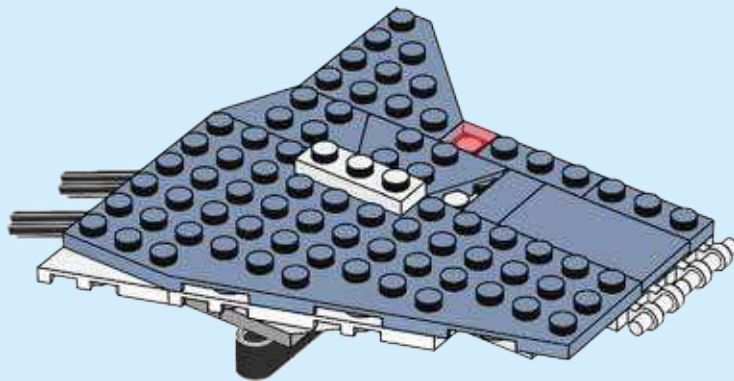
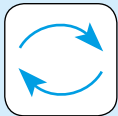
65





1x

66

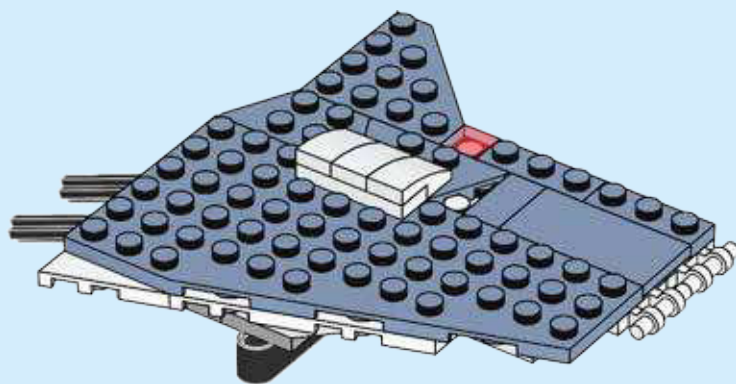






3x

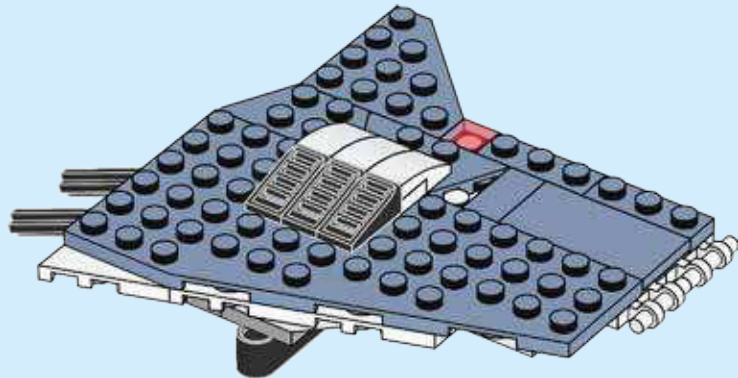
67

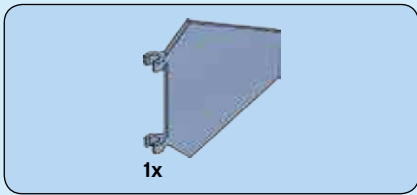




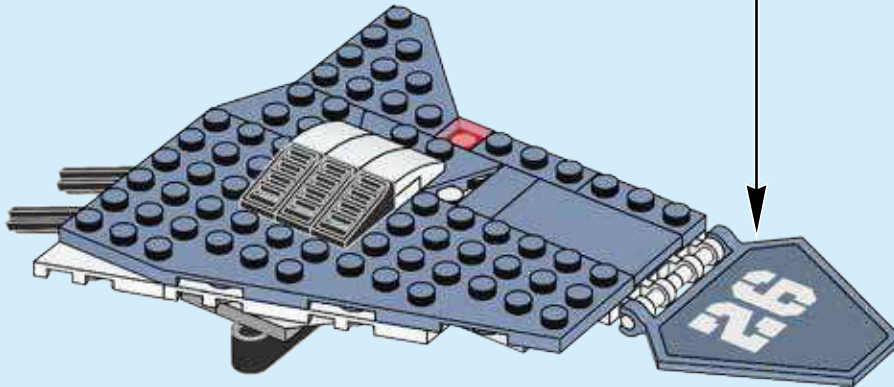
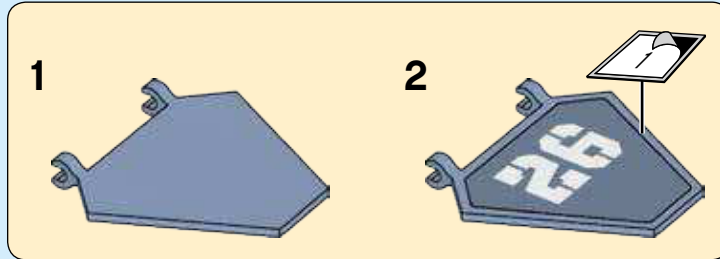
3x

68

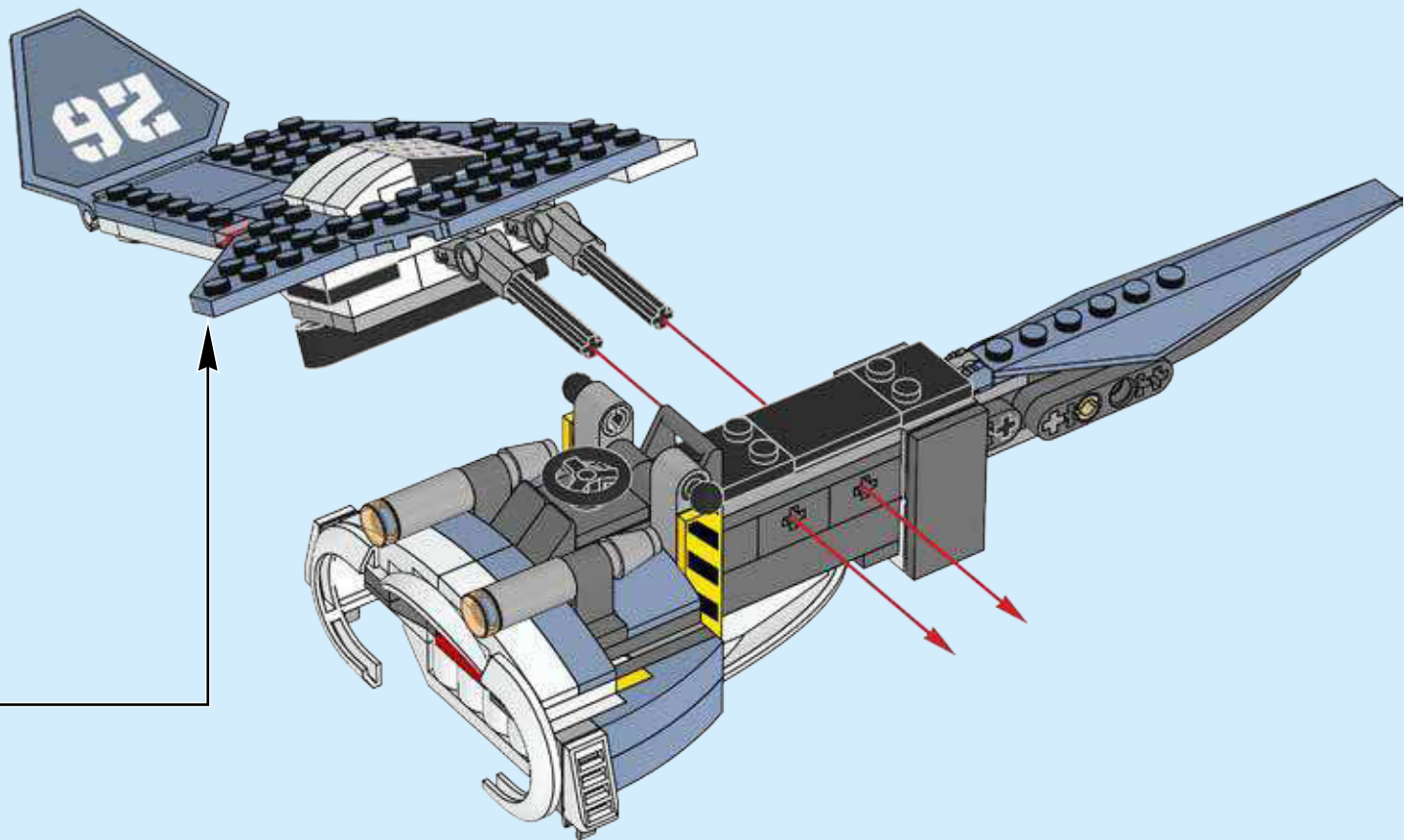


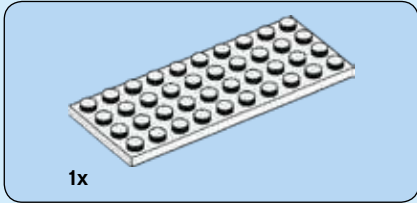
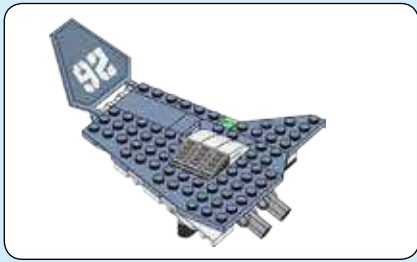


69

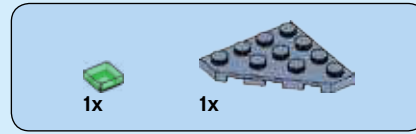
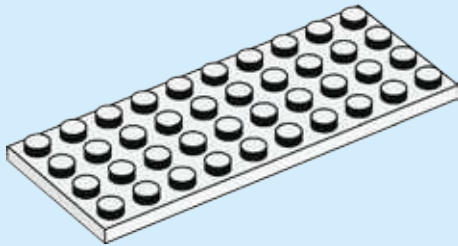


70

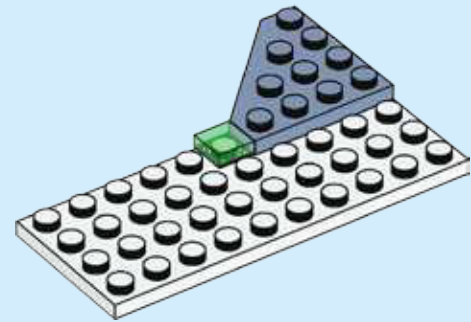


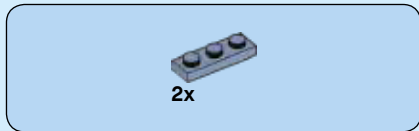


71

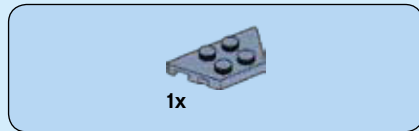
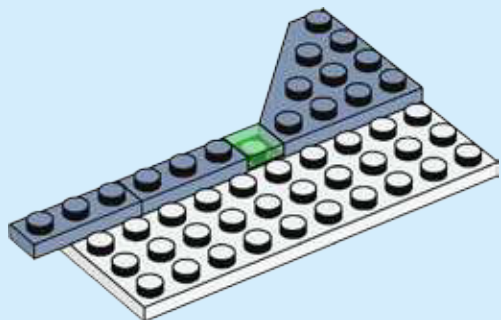


72

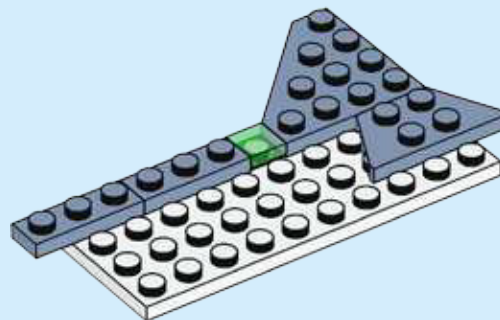


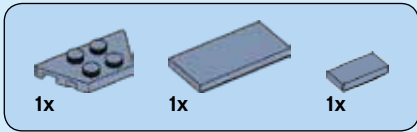


73

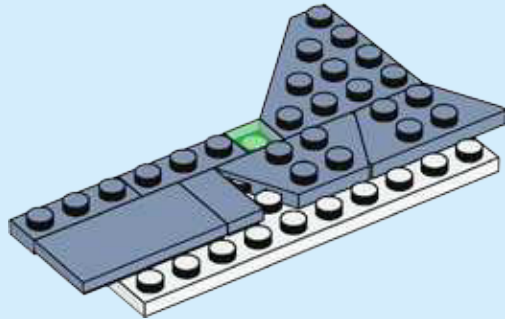


74

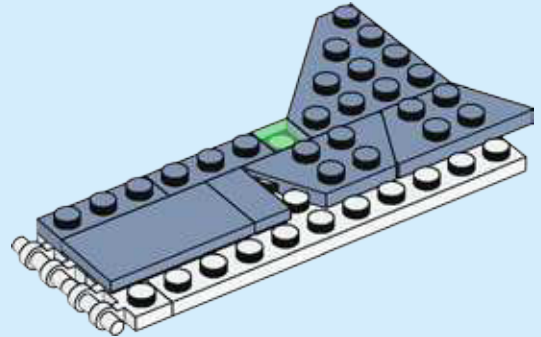


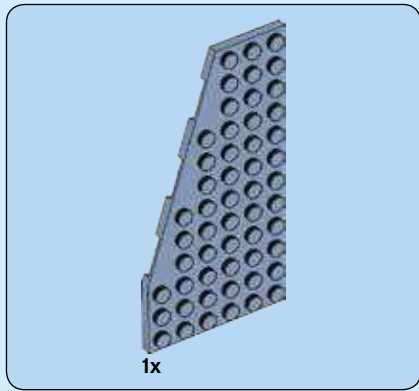


75



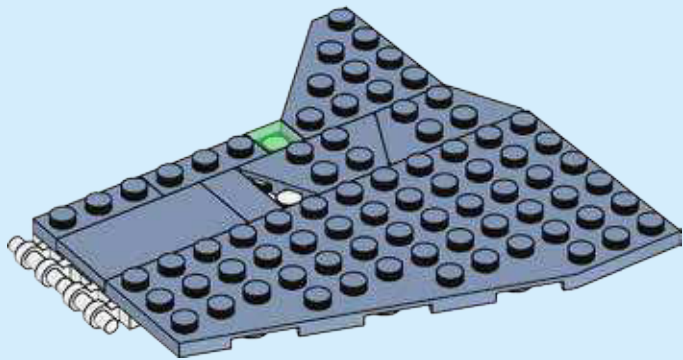
76



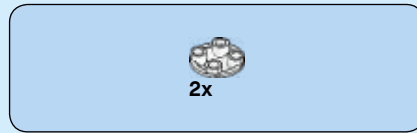


1x

77

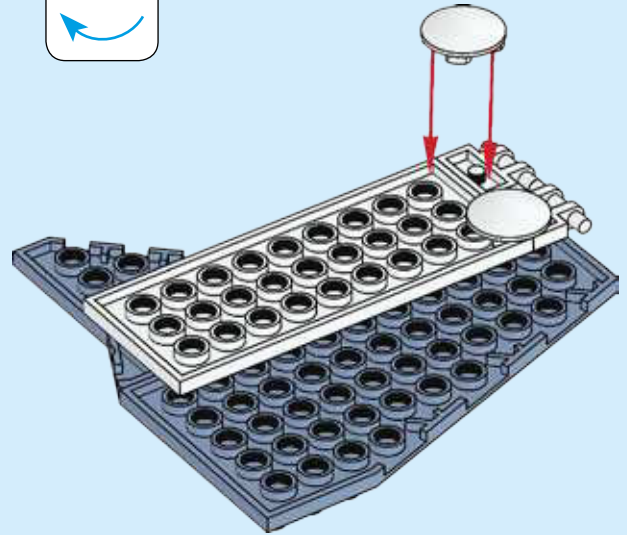
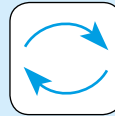


28

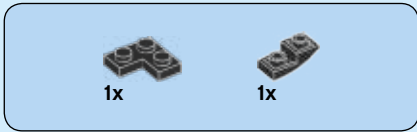


2x

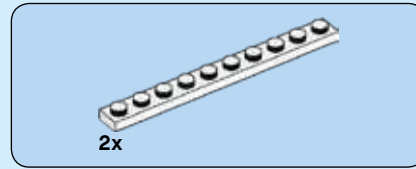
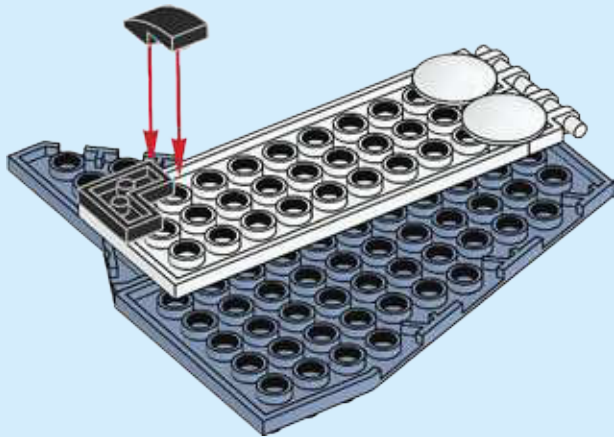
78



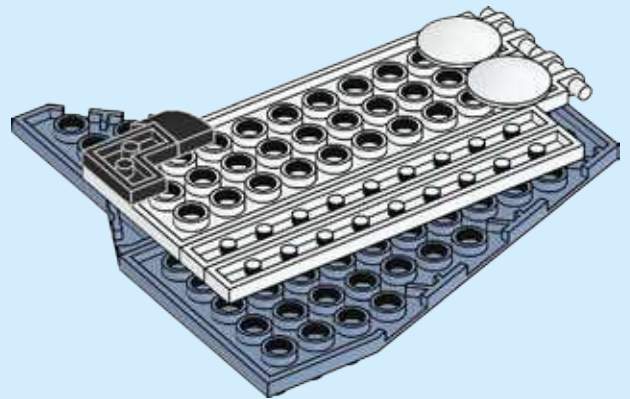




79

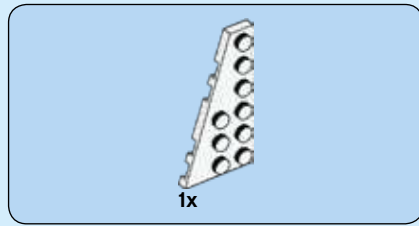
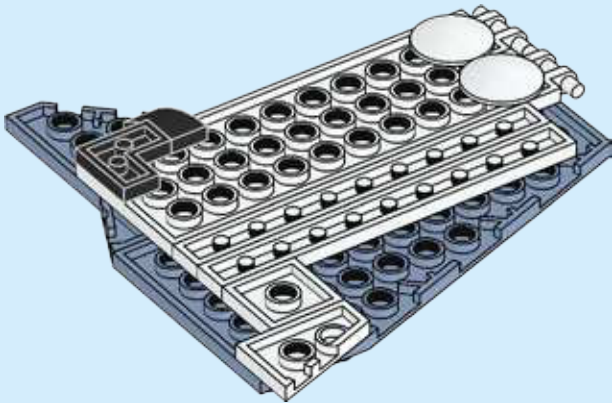


80

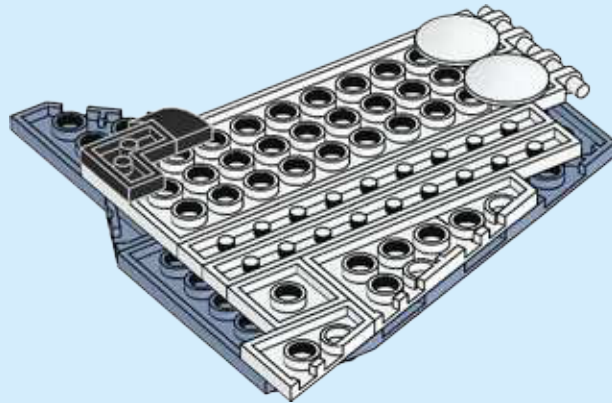




81



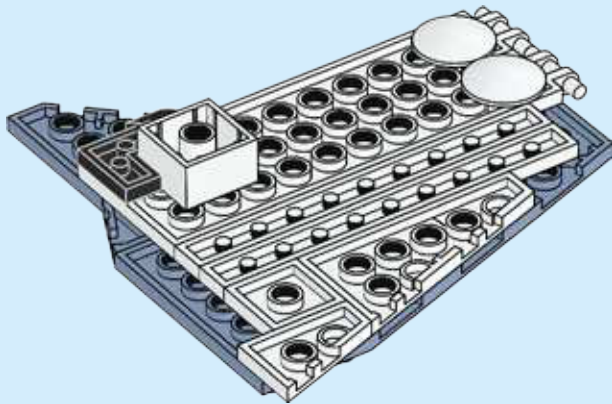
82





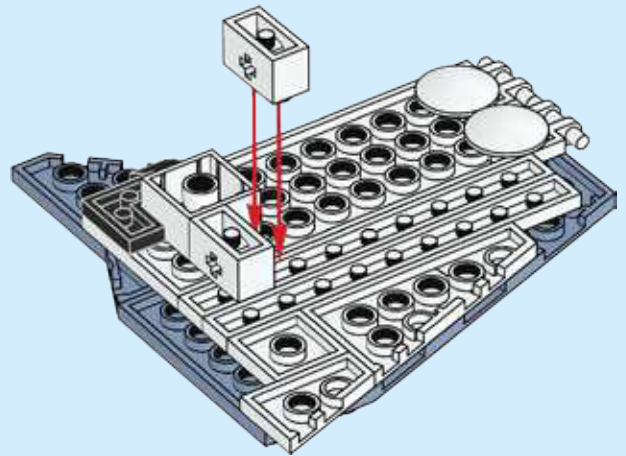
1x

83



2x

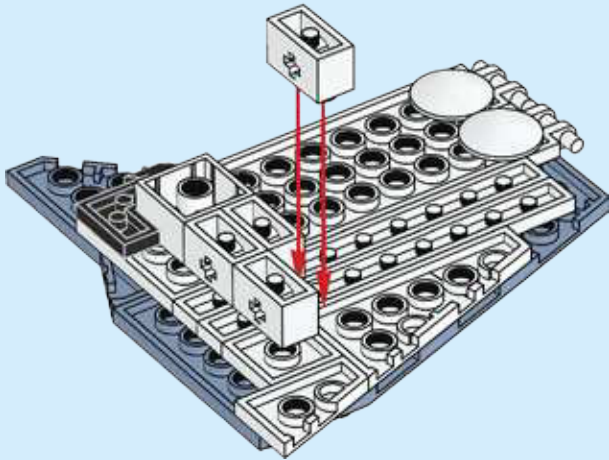
84





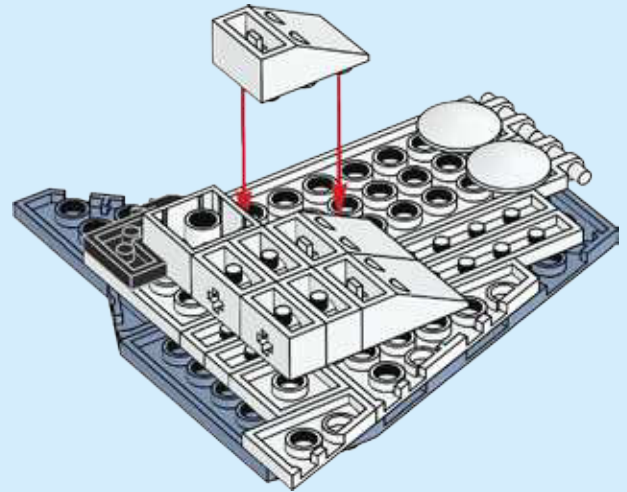
2x

85



3x

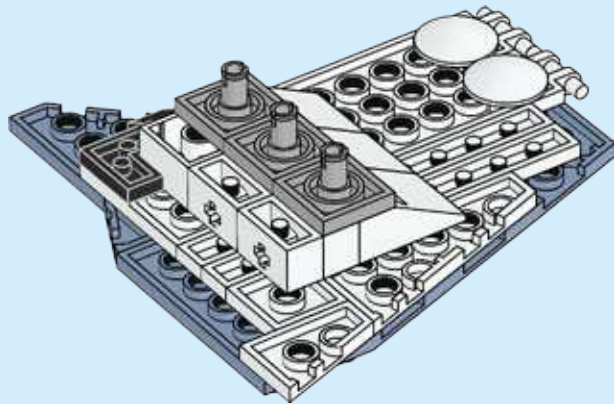
86





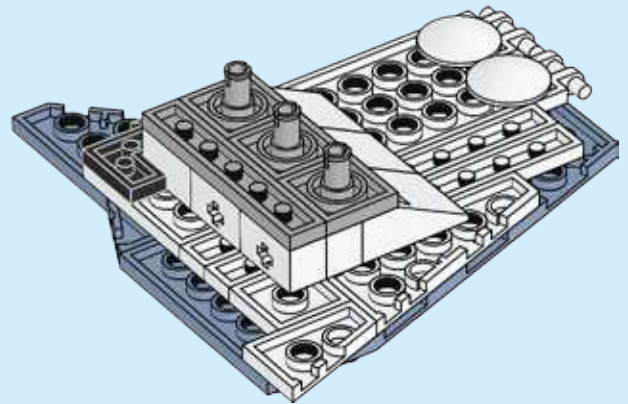
3x

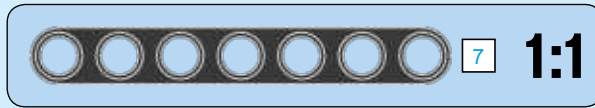
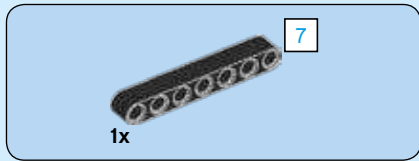
87



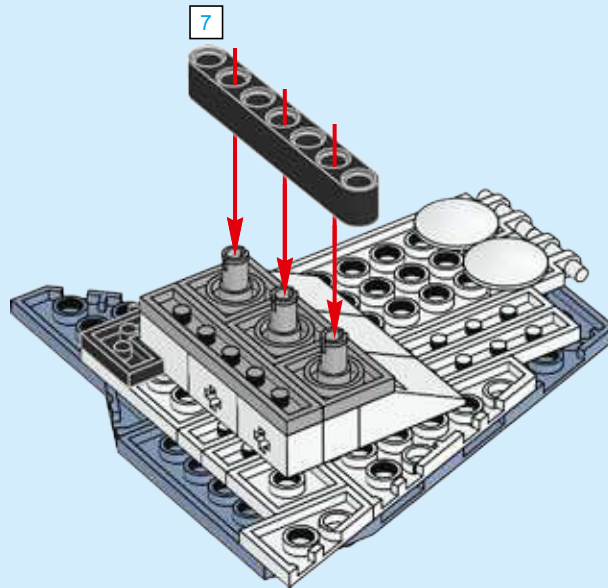
1x

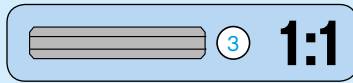
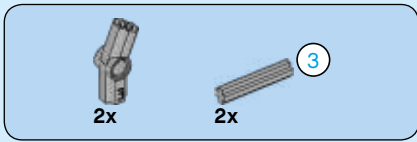
88



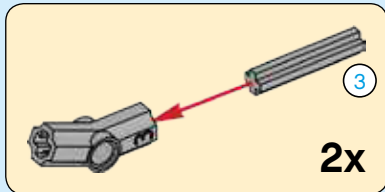
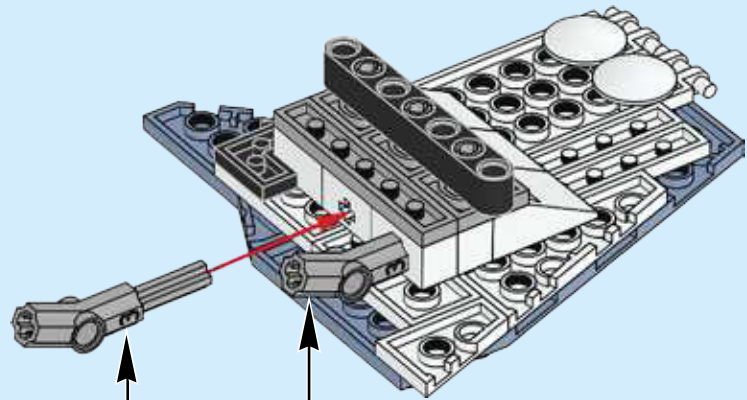


89





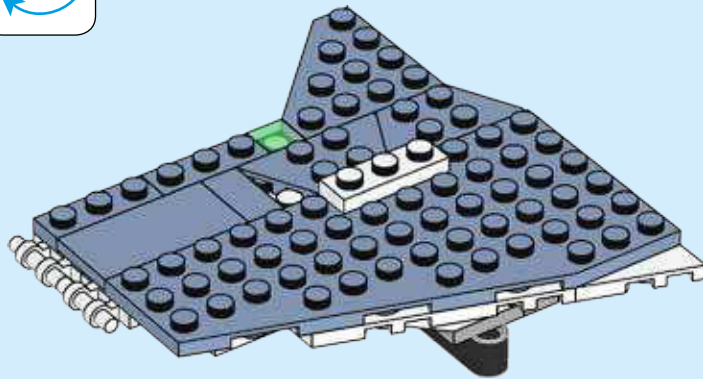
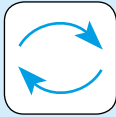
90





1x

# 91

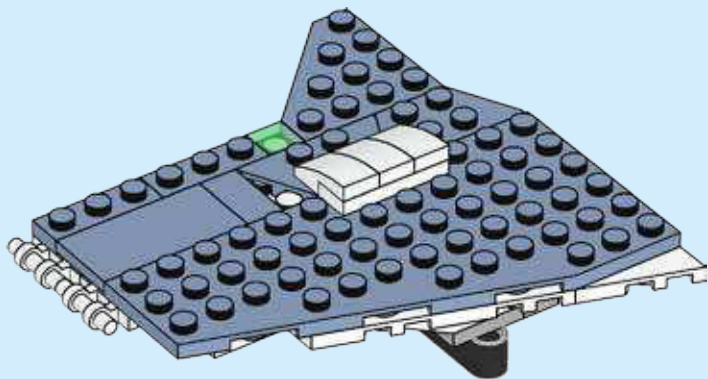






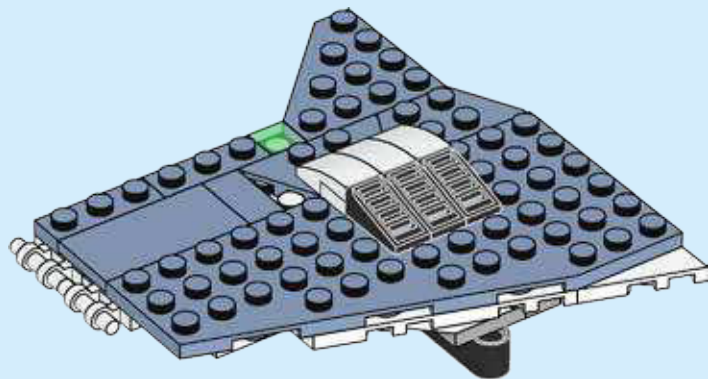
3x

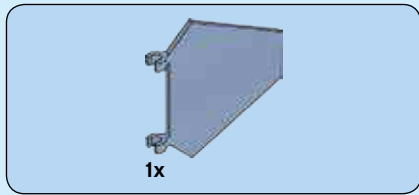
92



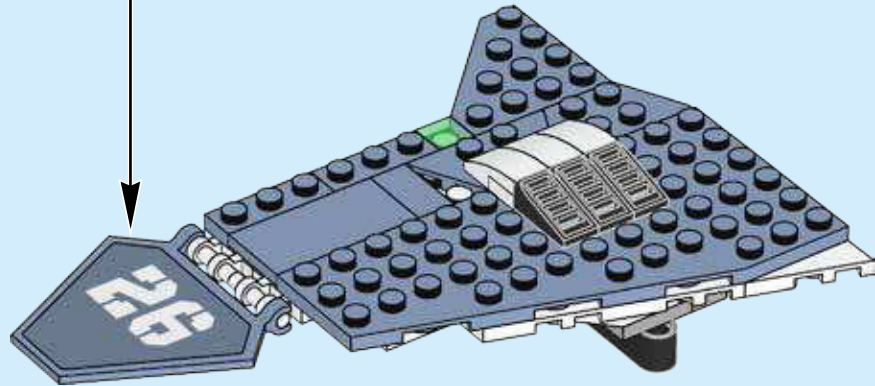
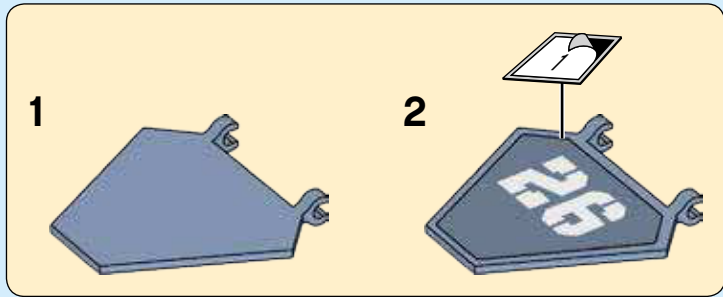
3x

93

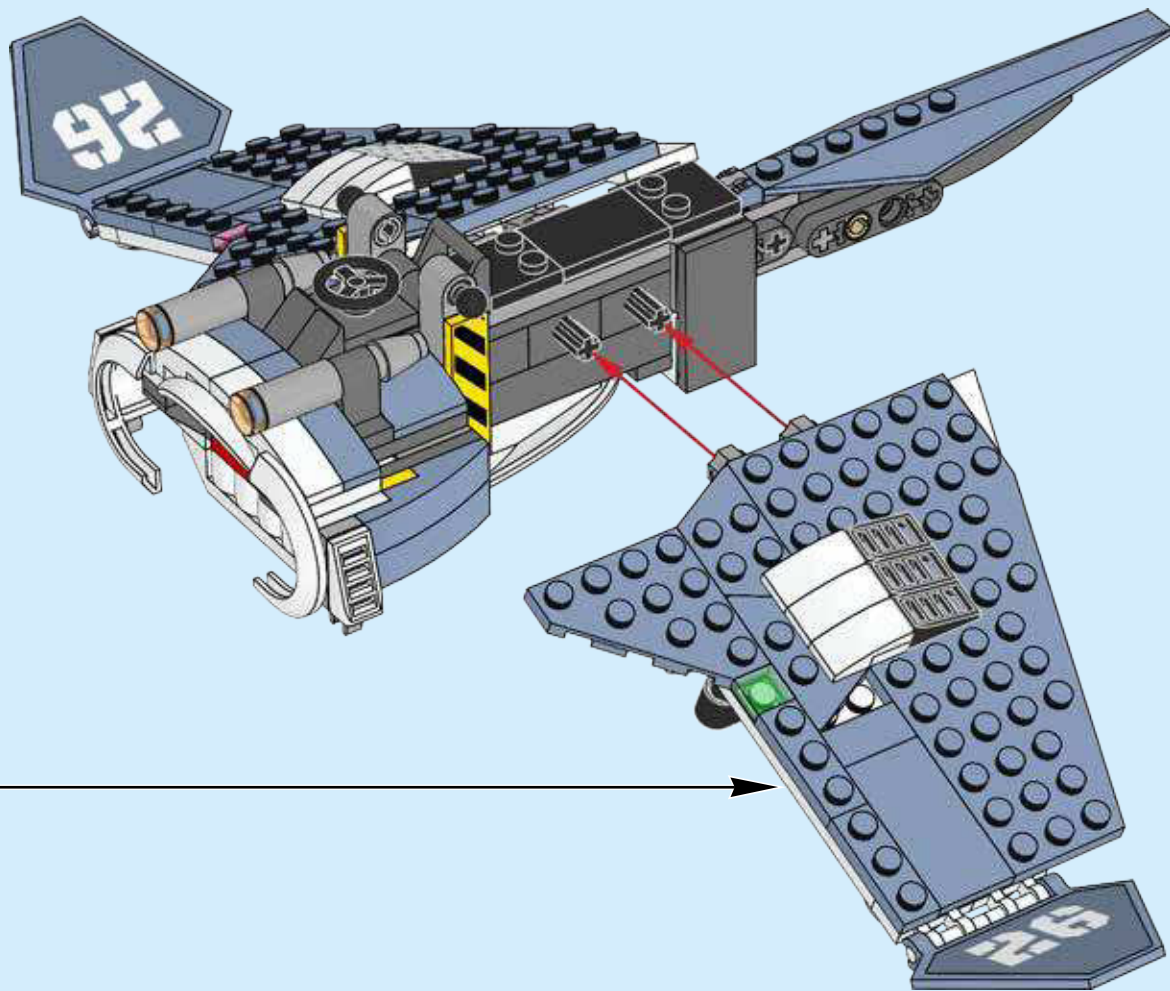


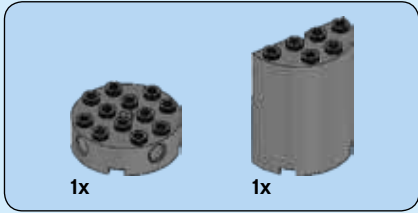
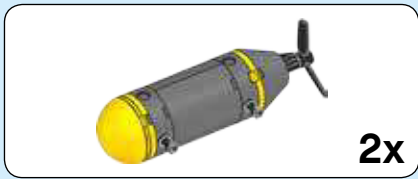


94

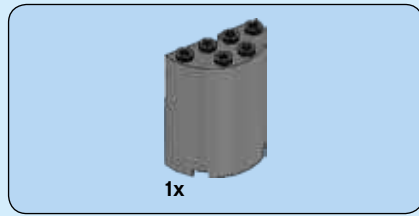
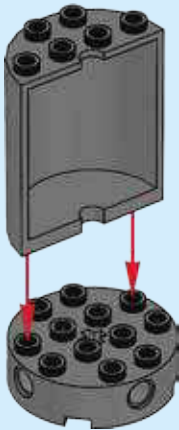


95





96

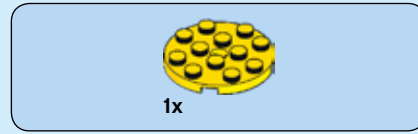


97



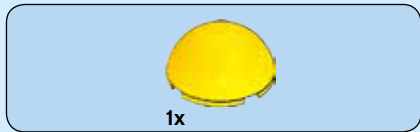


98



99





1x

100



2x

101

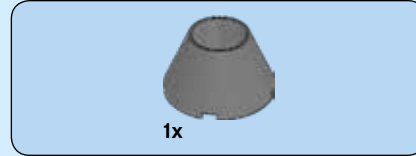




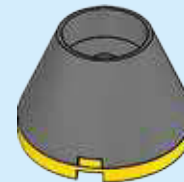
102

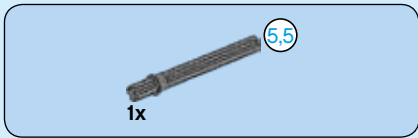


103

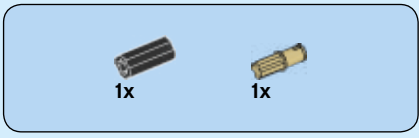
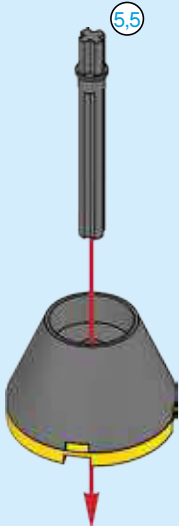


104

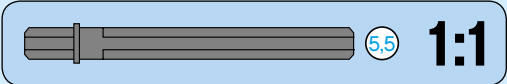
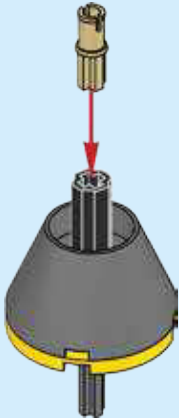




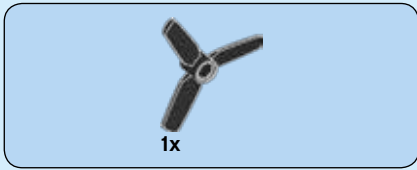
105



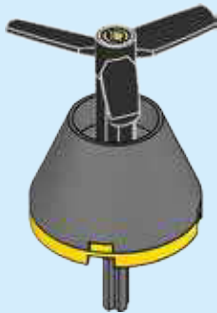
106



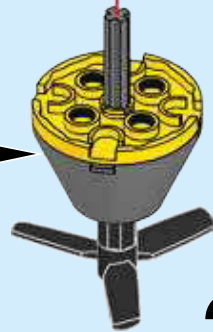




107

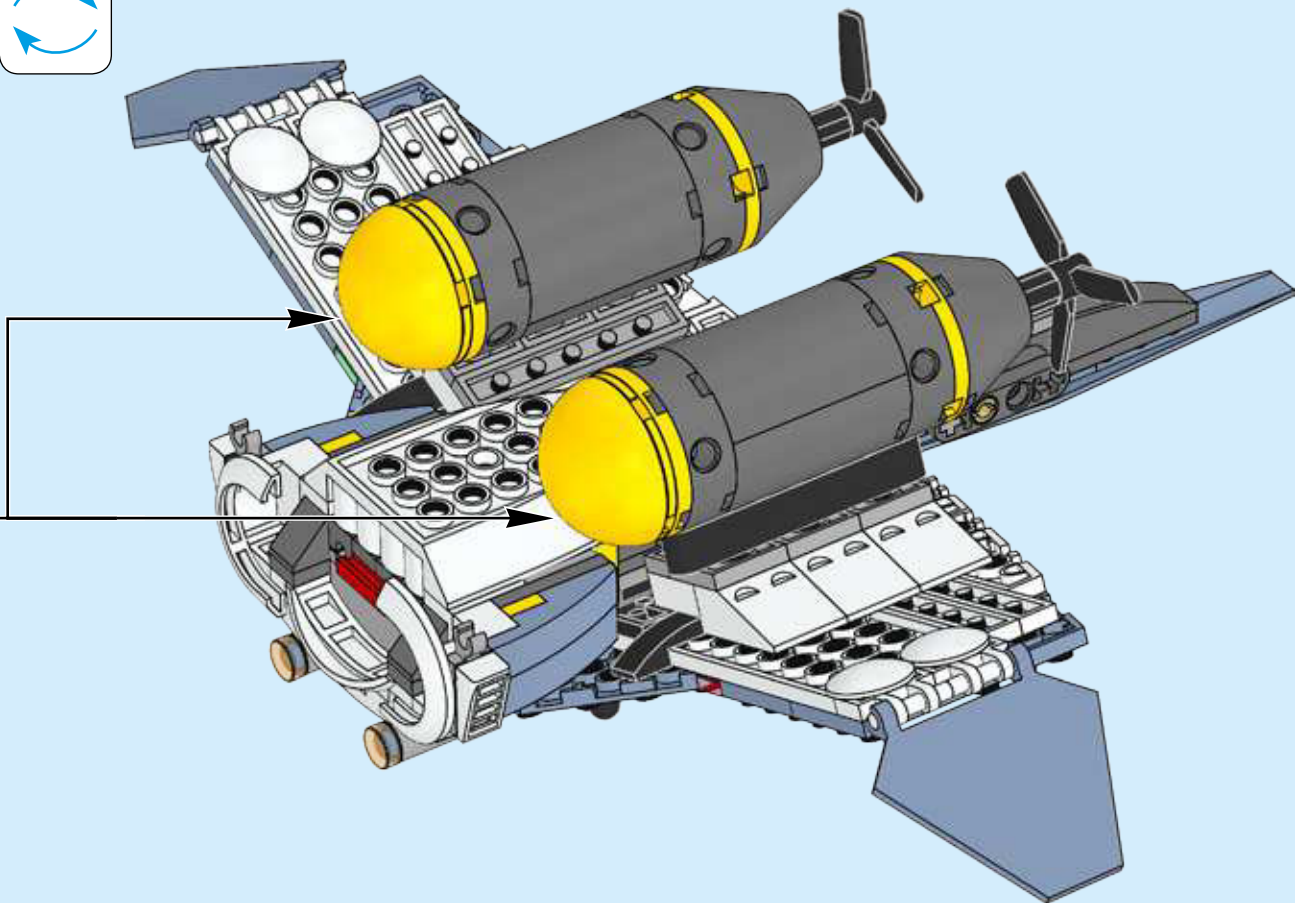
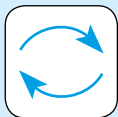


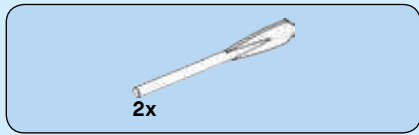
108



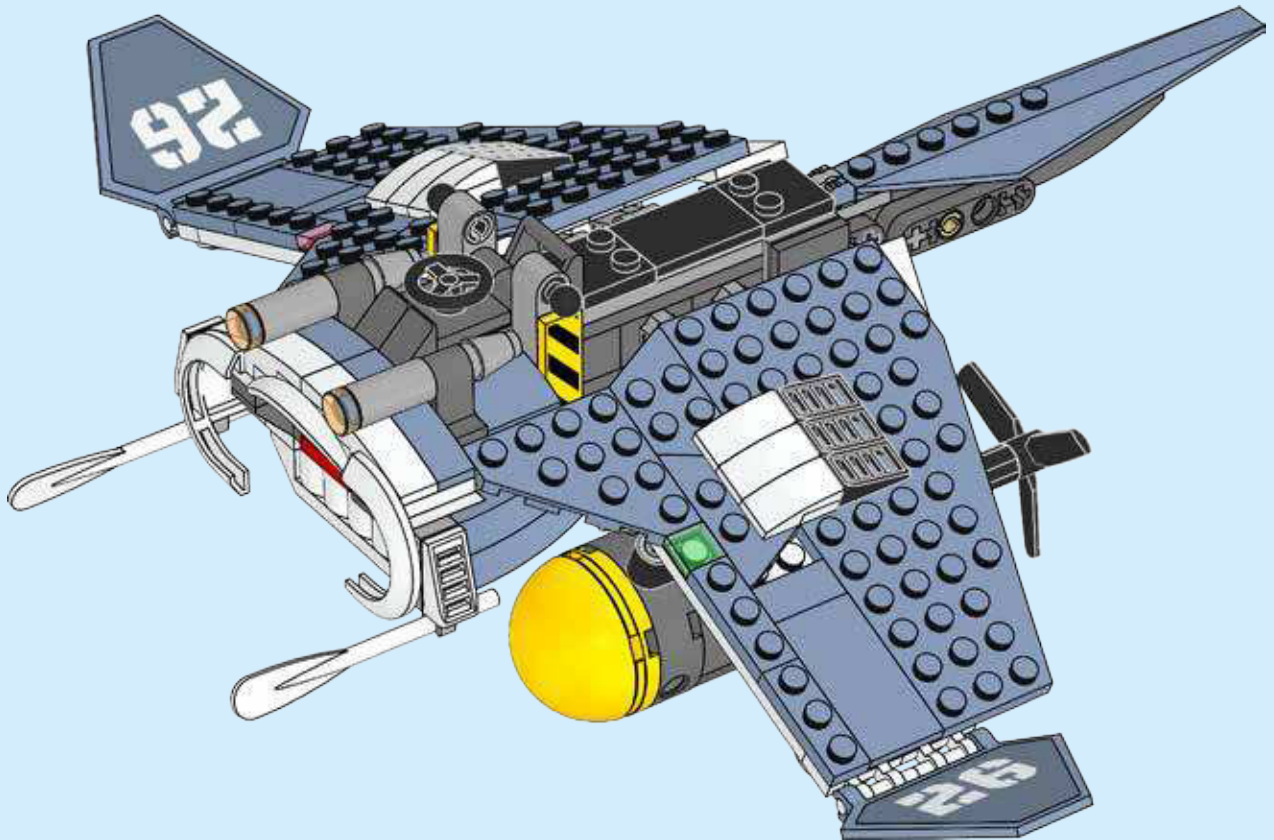
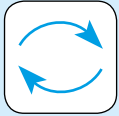
2x

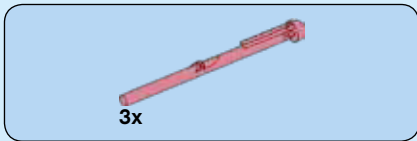
109



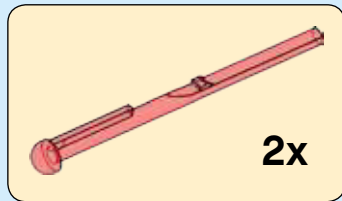
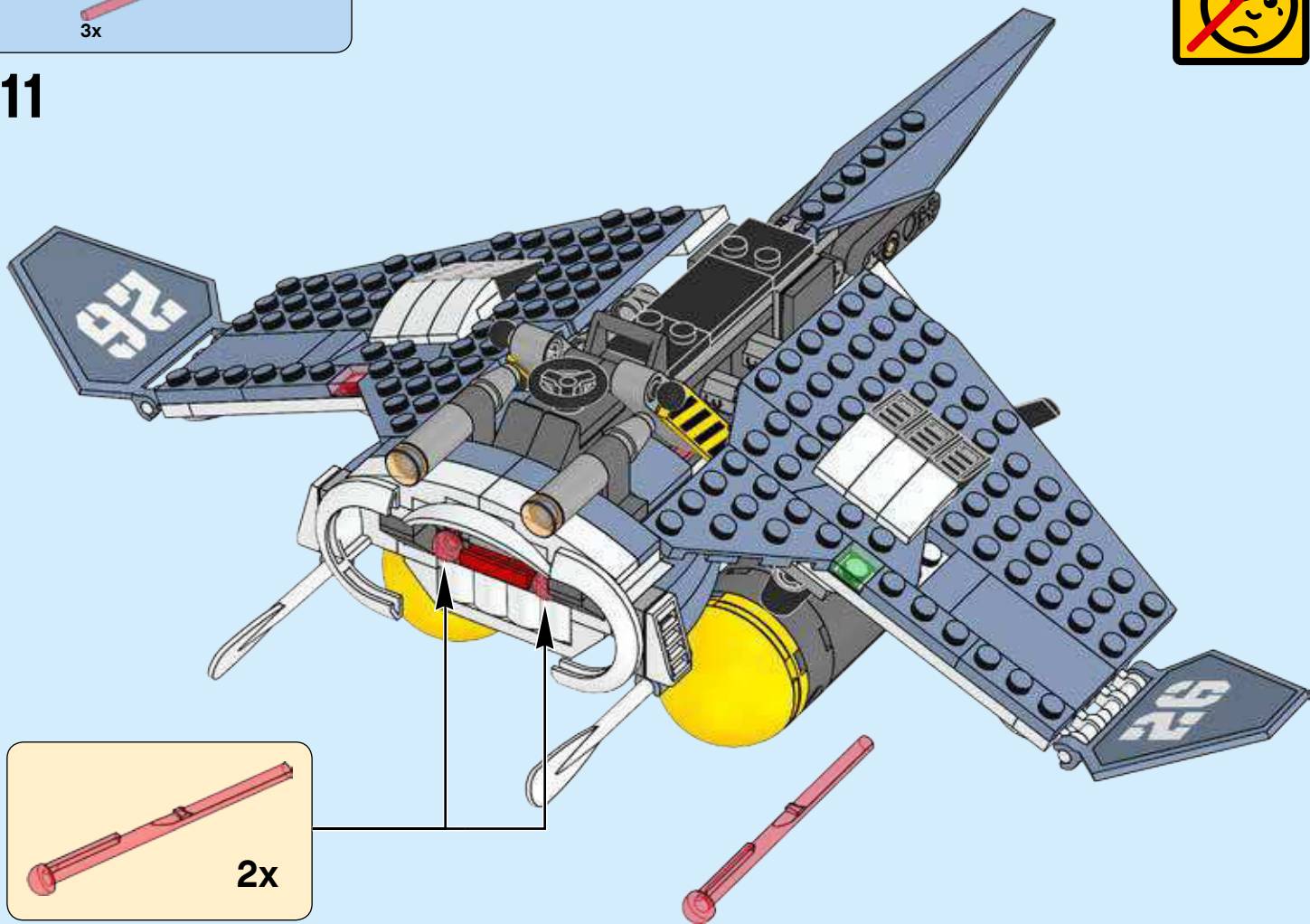


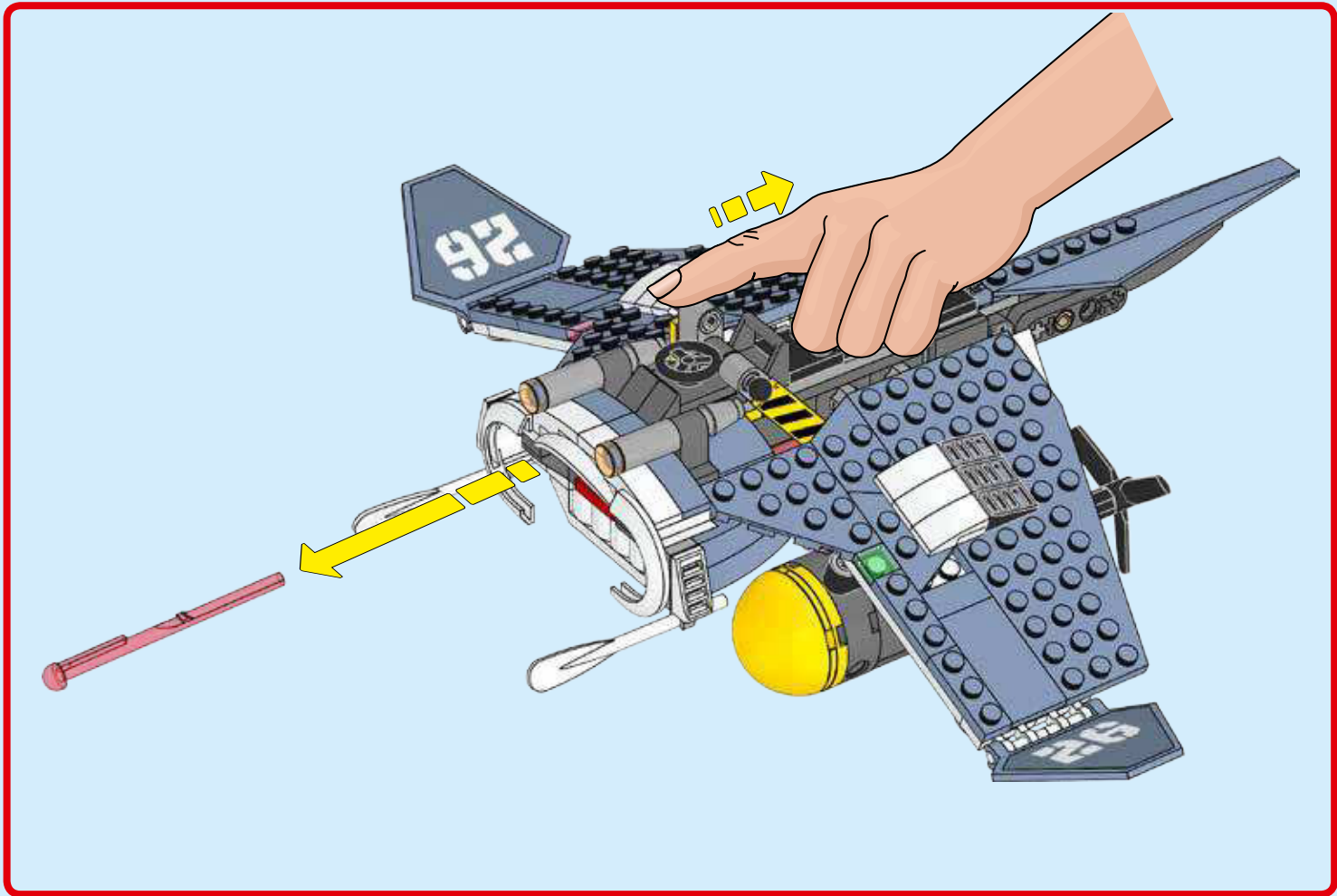
110





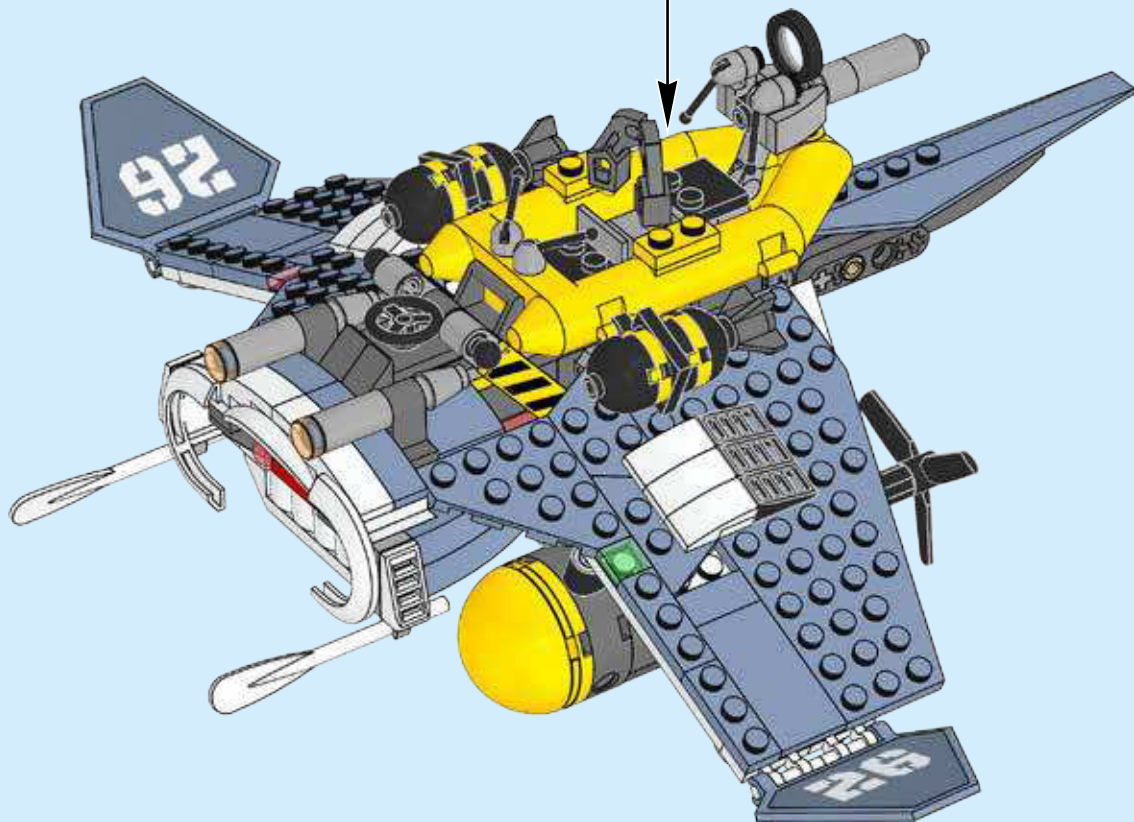
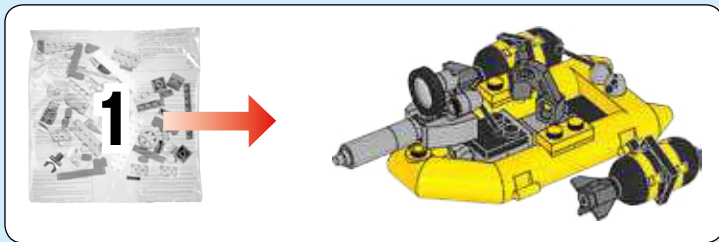
111







112







# THE NINJAGO MOVIE

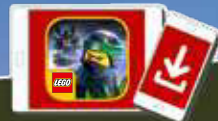


[LEGO.COM/NINJAGOMOVIE](http://LEGO.COM/NINJAGOMOVIE)

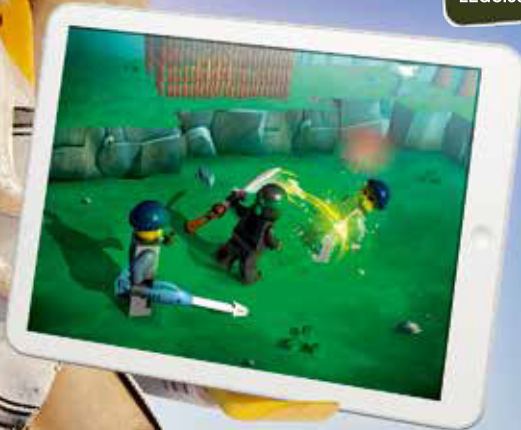




# THE NINJAGO MOVIE



LEGO® WU-CRU  
[LEGO.com/apps](http://LEGO.com/apps)

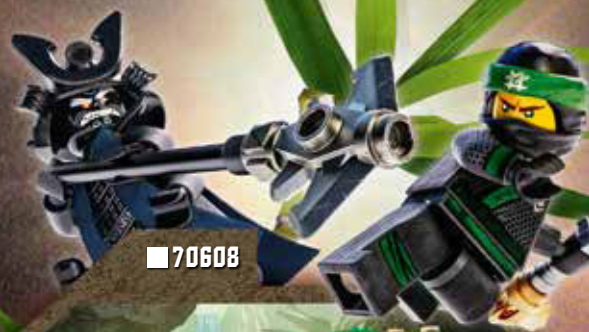


[LEGO.COM/NINJAGOMOVIE](http://LEGO.COM/NINJAGOMOVIE)





# THE NINJAGO MOVIE



70608



70606



70607



70609



70611





■ 70612



■ 70614



■ 70618



■ 70617



■ 70615







# THE NINJAGO MOVIE

## VIDEO GAME



www.lego.info  
PROVISIONAL



LEGO.com/videogames



The LEGO logo is displayed in its classic white font with a black outline, set against a red square background.The title "LEGO WORLDS" is rendered in a pixelated, blocky font. Each letter is constructed from various colored LEGO bricks, including white, green, brown, and blue. The title is set against a dark blue background with a glowing blue outline.

**UNLOCK MODEL IN GAME** / Separate purchase required  
**MODELL IM SPIEL FREISCHALTEN** / Separater Kauf erforderlich  
**DÉBLOQUEZ LE MODÈLE EN JEU** / Achat séparé requis  
**SBLOCCA MODELLO NEL GIOCO** / Da acquistare separatamente  
**DESBLOQUEAR MODELO EN EL JUEGO** / A la venta por separado  
**DESBLOQUEAR MODELO NO JOGO** / É necessária compra em separado  
**MODELL KIOLDÁSA A JÁTÉKBAN** / Külön vásárlás isszükséges  
**在游戏里解锁模型** / 需分开购买

YG43JH



7

www.pegi.info  
PROVISIONAL

TT games WB GAMES LEGO GAMES

LEGO.com/worlds

LEGO WORLDS software © 2017 TT Games Ltd. Produced by TT Games under license from the LEGO Group. LEGO, the LEGO logo, the Brick and the Knob configurations and the Minifigure are trademarks of the LEGO Group. © 2017 The LEGO group. All other trademarks and copyrights are the property of their respective owners. All rights reserved. WB GAMES LOGO, WB SHIELD:™ & © Warner Bros. Entertainment Inc. (s17)



8x  
6178921



2x  
300301



2x  
362301



6x  
4500469



2x  
4259940



2x  
6045936



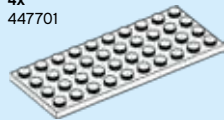
1x  
4523556



2x  
6167187



4x  
447701



2x  
4503008



1x  
6167188

58



1x  
4179874



1x  
4179875



4x  
242001



2x  
302201



4x  
4278271



3x  
6059185



2x  
6023804



6x  
6034044



4x  
6097637



4x  
4140583



1x  
4287707



1x  
4287708



2x  
614321



1x  
4612575



1x  
300121



1x  
6152107



1x  
4211412



2x  
4529241



1x  
4211483



1x  
4211399



1x  
4521921



1x  
4558953



4x  
4211552



3x  
6173127



2x  
4211807



2x  
4632575



2x  
6192577



1x  
4219913



1x  
6028812



2x  
6028813



2x  
6146223



1x  
4211398



4x  
6117967



2x  
4535738



6x  
4237084



5x  
4211815



1x  
6193868



1x  
6116608



1x  
4211394



1x  
4211395



2x  
4211651



3x  
4211438



2x  
6048898



1x  
4211462



2x  
4495935



1x  
6162892



2x  
370526



2x  
4599984



1x  
6051527



2x  
6093525



2x  
302226



2x  
4216660



4x  
4121715



2x  
4512363



6x  
4541191



2x  
6147050



2x  
4184169



2x  
4550017



1x  
4109810



3x  
403226



1x  
6057397



2x  
6102341



4x  
6192346



4x  
242026



1x  
6012466



1x  
4612829



1x  
4646867



2x  
4666579



1x  
4514554



8x  
4143005



1x  
4206482



4x  
4221775



1x  
6173926



2x  
6195347

5

7

3

4



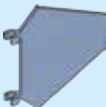
3x  
6054526



1x  
6167180



1x  
6167179



2x  
6167183



2x  
6167182



2x  
6124349



1x  
6167186



2x  
6142505



2x  
6166865



4x  
6142245



4x  
6111474



6x  
6166868



2x  
6080355



2x  
4626196



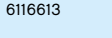
1x  
4611100



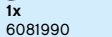
1x  
6066142



1x  
6116613



1x  
6081990



1x  
6081990



2x  
4626884



1x  
4216384



2x  
4646865



1x  
3003941



1x  
6192644



1x  
6192232



2x  
6192798



1x  
6192572



1x  
6195680



1x  
6078575



1x  
6192698



1x  
6192688



1x  
6192016



1x  
6192818



1x  
6192808



1x  
6192666



4x  
403224



4x  
302324



2x  
4611704



2x  
6191897



3x  
302124



2x  
4119091



4x  
4515349



1x  
6099480



1x  
6174161



8x  
4210719



2x  
4212352



2x  
6012812



2x  
6055313



2x  
6019987



2x  
4211096



2x  
6069164



2x  
4210763



1x  
4211039



5x  
6178919



1x  
6126083



2x  
6015356



2x  
4211133



4x  
4211104



1x  
4547958



4x  
4210749



3x  
4211043



4x  
6106025



1x  
4213607



2x  
4222113



4x  
4211097



2x  
4560184



2x  
4508553



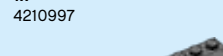
1x  
4210779



1x  
4210998



1x  
4210997



2x  
4210798

5.5

Customer Service

Kundenservice

Service Consommateurs

Servicio Al Consumidor

LEGO.com/service or dial



: 00800 5346 5555

: 1-800-422-5346





THE LEGO NINJAGO MOVIE © & ™ Warner Bros. Entertainment Inc. & The LEGO Group. LEGO, the LEGO logo, NINJAGO and the Brick and Knob configurations are trademarks of the LEGO Group. ©2017 The LEGO Group. All rights reserved. (s17)

6207797



BILLUND • DEUTSCHLAND  
WINDSOR • MALAYSIA

EXCLUSIVELY • EXKLUSIV • EXCLUSIVEMENT • EN EXCLUSIVA • ESCLUSIVO  
EXCLUSIVAMENTE • KIZÁRÓLAGOSAN • 独家所有 • EKSKLUSIVT • ここだけの特典 • ÖZEL



Manchester • Berlin • Oberhausen  
Istanbul • Osaka • Shanghai • Tokyo



LEGO, the LEGO logo, the Brick and Knob configurations, NINJAGO, the Minifigure and LEGOLAND are trademarks of the LEGO Group. ©2017 The LEGO Group. LEGOLAND is part of Merlin Entertainments plc.

LEGOLAND.COM