



Experiencing problems with your new KidKraft product?

Before returning your product to the store or Internet retailer, please give us a chance to solve all your problems. **For fastest service, please visit www.kidkraft.com**, where you can order replacement parts under warranty free of charge, 24 hours a day. Our Dallas-based Customer Service team can be reached at 1-800-933-0771 and is available 8:30 a.m. to 5:00 p.m. Central Standard Time every Monday through Friday. We want nothing more than for our customers to be satisfied. If you have a question outside of our normal business hours, just leave a message and we will call you back as soon as possible.

- Are our assembly instructions confusing? Are you stuck on a step?

Please, let us help!

- Are you missing a part? Do you need us to send a replacement part?

Please, let us help!

- Did a part arrive broken? Do you need us to send a replacement?

Please, let us help!

- Does the item you received differ in any way from what was ordered?

Please, let us help!

At KidKraft, customer satisfaction is our top priority. Thank you for your business.

David Barr
Executive Vice President

KidKraft
4630 Olin Road
Dallas Texas 75244
www.kidkraft.com
Toll Free: 1.800.933.0771
Tel: 972.385.0100
Fax: 972.385.0277

Before calling customer service, please have your item's batch code ready.
This is your batch code:

If your batch code is not listed here, you can find it on the back or bottom of your product.
(example batch code:105906/65006/04)



© 2010 KidKraft, LP

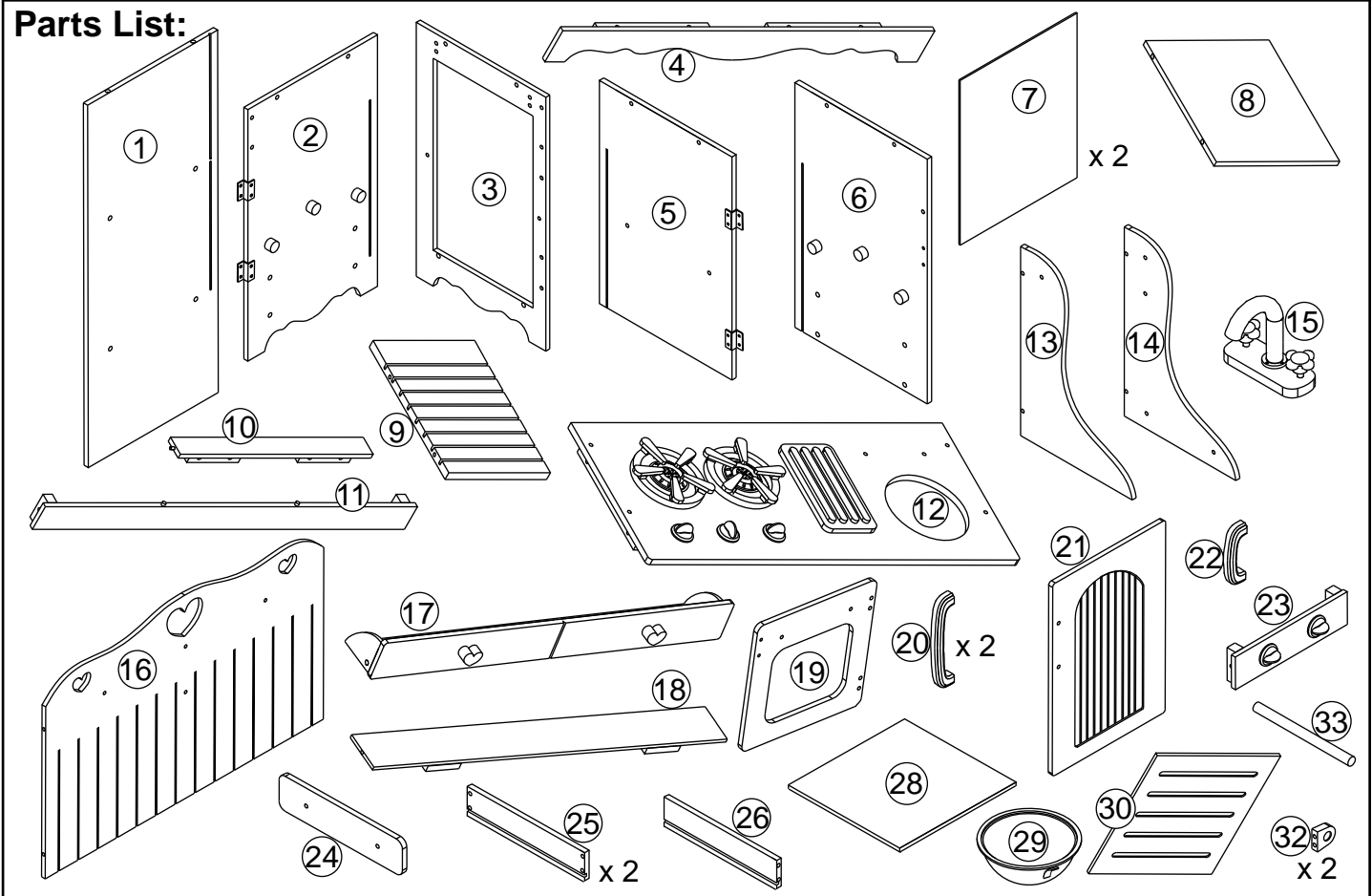
Please retain this information for future reference

Prairie Kitchen

Assembly Instructions

Item# 53151B

Parts List:



Hardware

A. Vanilla Cross Dowel Bolt x 8



1 1/2 in, 38 mm

B. Cross Dowel Bolt x 8 pcs



1 1/2 in, 38 mm

C. Screw x 32



1 in, 25 mm

D. Cross Dowel Nut x 16



E. Screw x 13



5/16 in, 8 mm

F. Vanilla Screw x 19



1 in, 25 mm

G. Hex Bolt x 2



1 in, 25 mm

H. Latch x 2



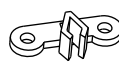
I. Pin Hinges x 2



J. Drawer Stop x 1



K. Side Latch x 2



L. Nut x 2

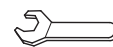


M. Phillips Bolt x 2



3/4 in, 19 mm

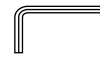
Wrench x 1



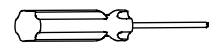
Large Allen Wrench x 1



Small Allen Wrench x 1



The following tool (not included) is required for assembly:



Phillips® Screwdriver

GB Must be assembled by an adult.

DE Muss von einem Erwachsenen zusammengebaut werden.

DK Skal samles af en voksen.

SE Ska monteras av en vuxen.

NO Må settes sammen av en voksen.

FI Aikuisen tulee koota tämä tuote.

PL Montaż powinna przeprowadzić osoba dorosła

EE Toode tuleb kokku panna täiskasvanul

LV Jāsaliiek pieaugušajam

LT Surinkiti turi suaugęs asmuo

IS Skal setja saman af fullorðnum

Imported by/Manufactured by: **1**

KidKraft Netherlands BV
Olympisch Stadion 9
1076DE Amsterdam
The Netherlands

Imported by:
Top Toy
Room 1105, 11/F
Central Plaza
18 Harbour Road
Wanchai, Hong Kong



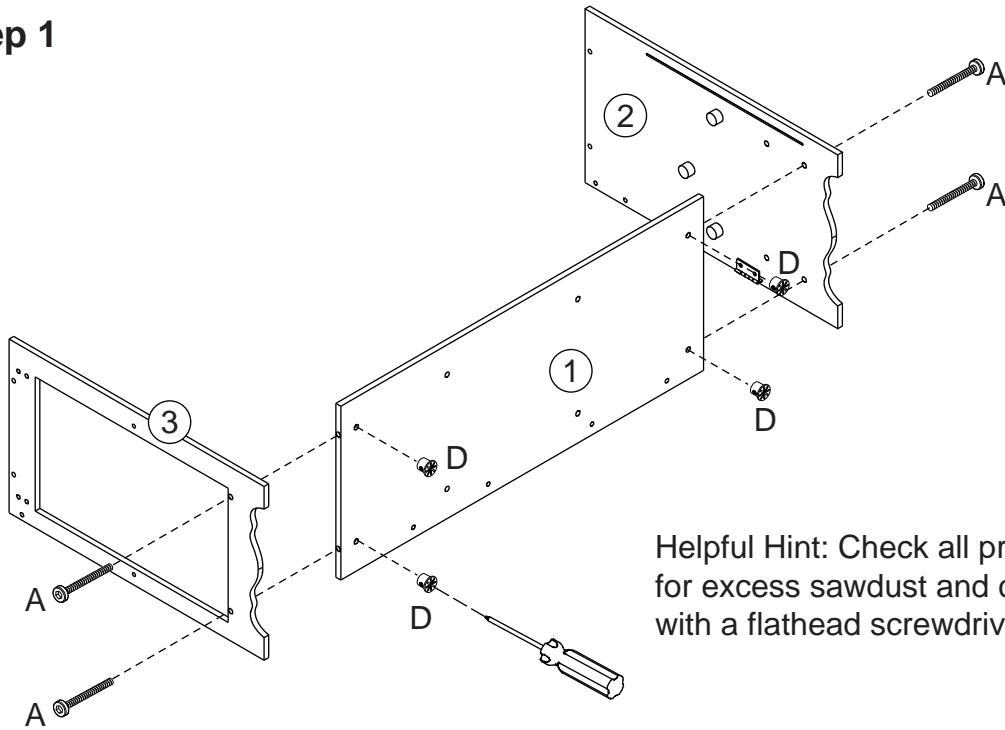
Prairie Kitchen

Assembly Instructions

© 2010 KidKraft, LP

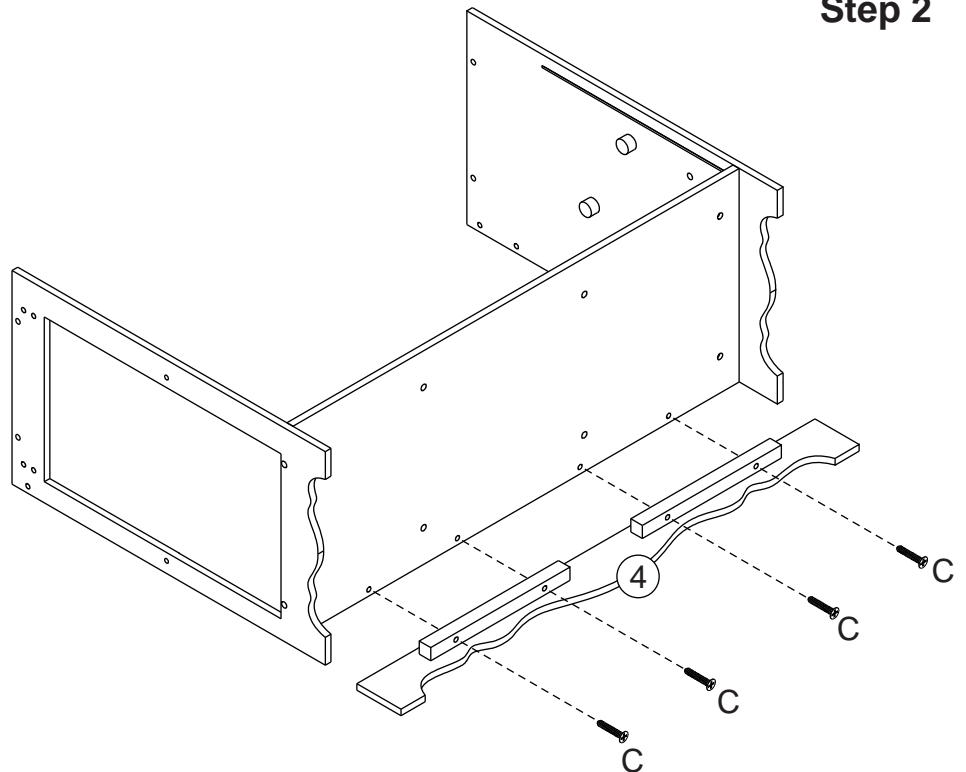
Item# 53151B

Step 1



Helpful Hint: Check all predrilled holes for excess sawdust and clean out the holes with a flathead screwdriver if necessary.

Step 2





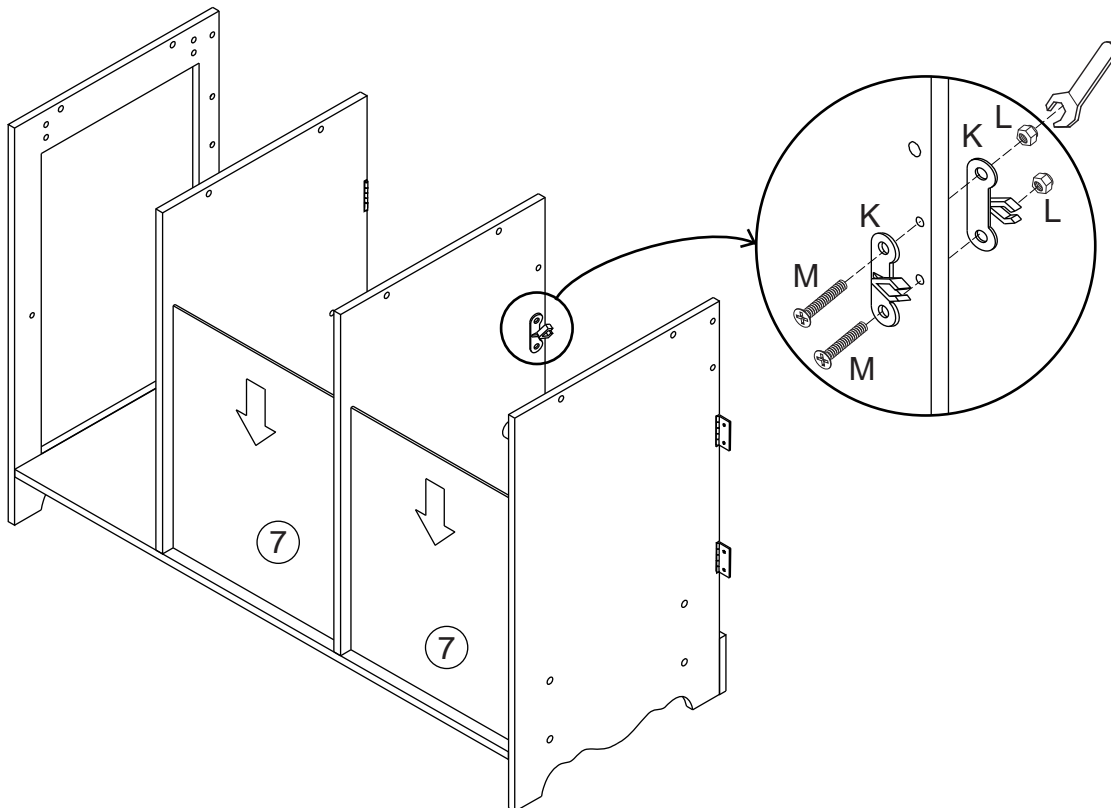
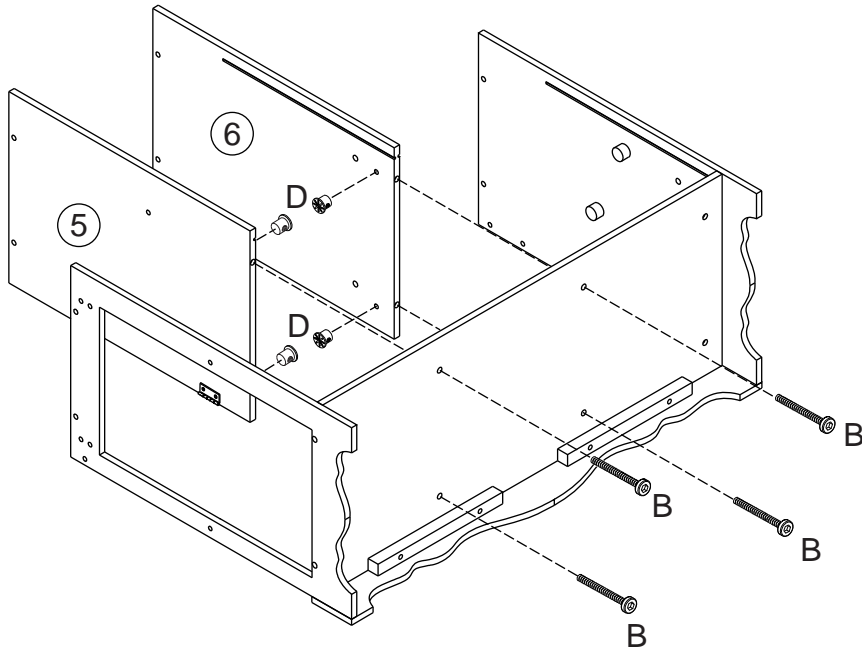
Prairie Kitchen

Assembly Instructions

© 2010 KidKraft, LP

Item# 53151B

Step 3



Step 4



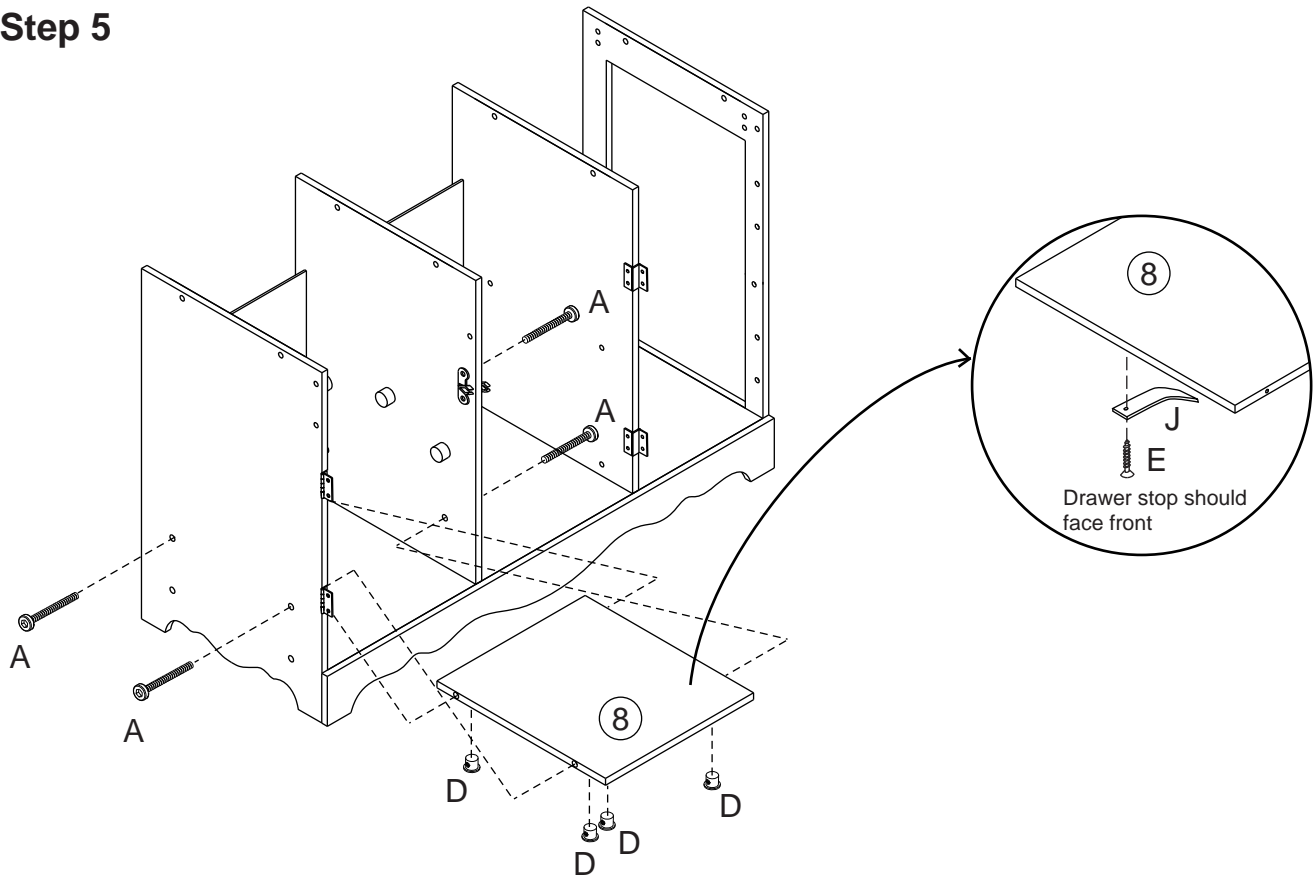
Prairie Kitchen

Assembly Instructions

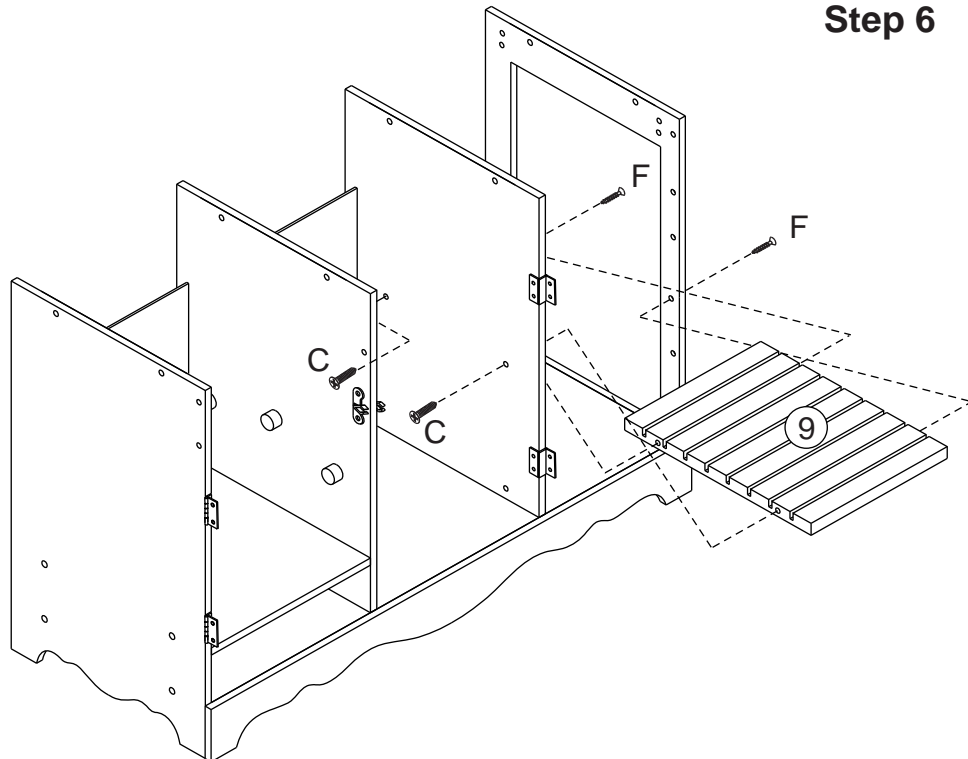
Item# 53151B

© 2010 KidKraft, LP

Step 5



Step 6





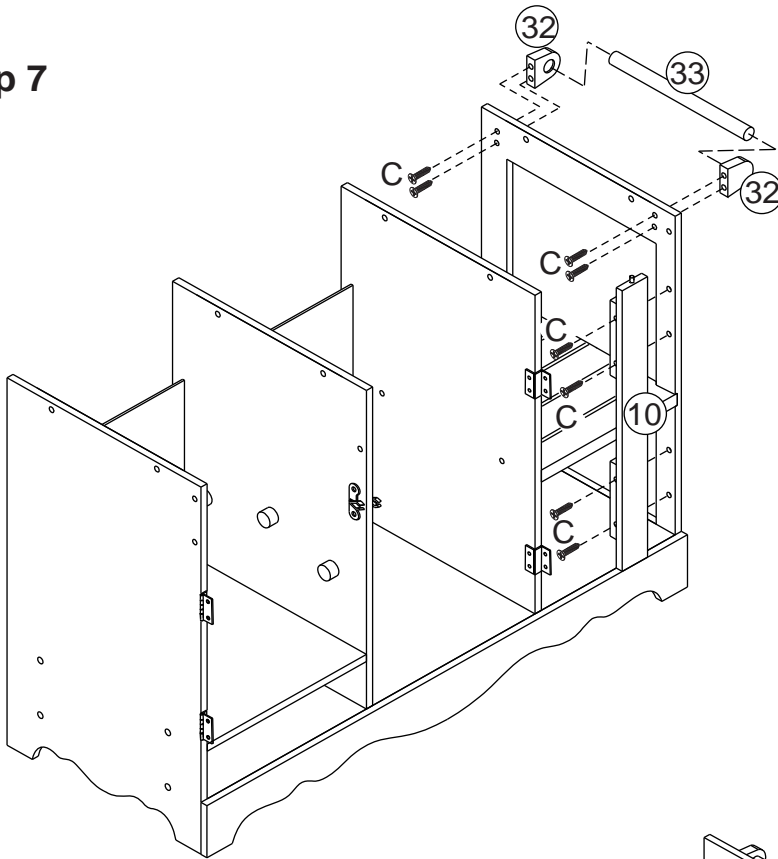
Prairie Kitchen

Assembly Instructions

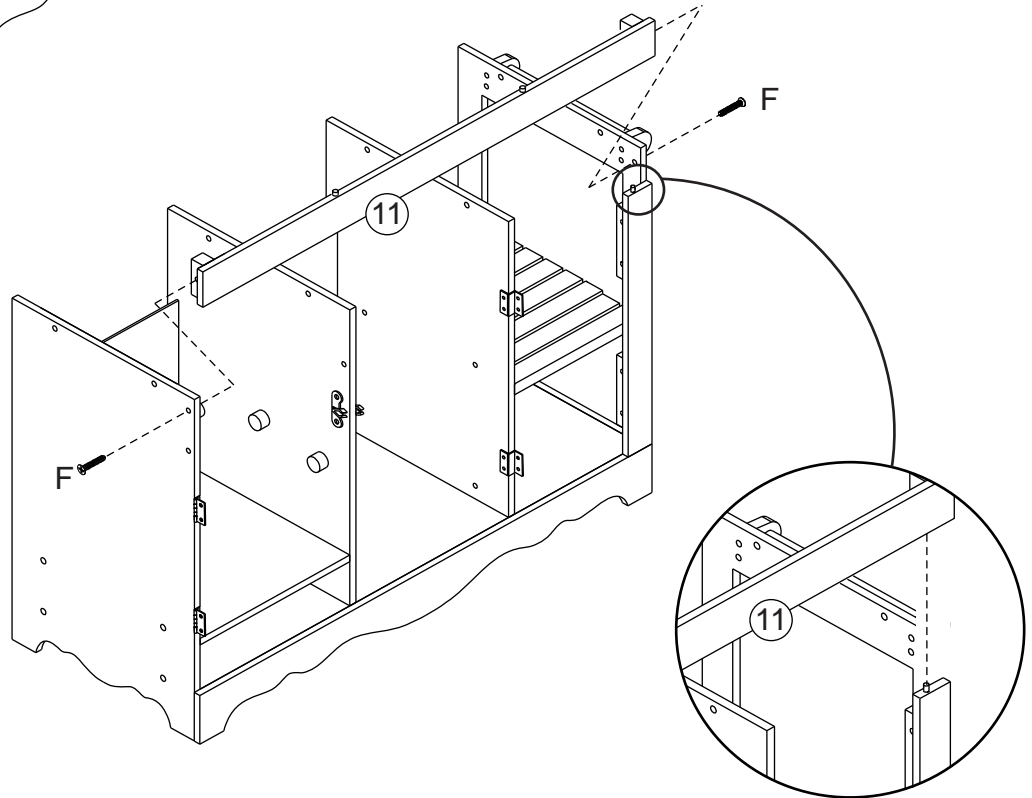
© 2010 KidKraft, LP

Item# 53151B

Step 7



Step 8





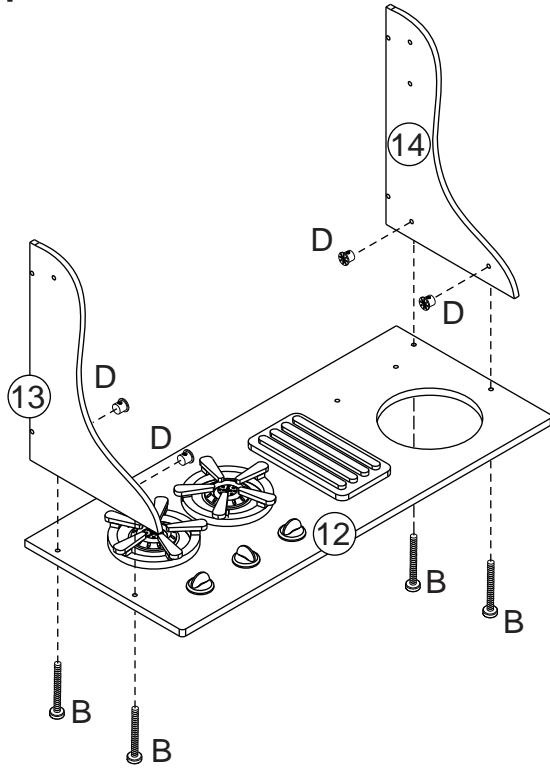
Prairie Kitchen

Assembly Instructions

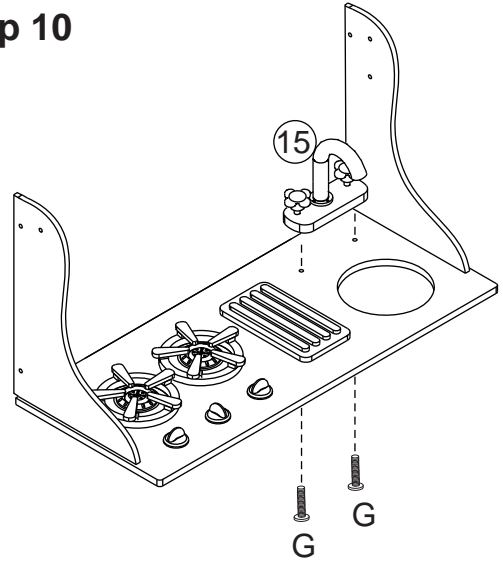
© 2010 KidKraft, LP

Item# 53151B

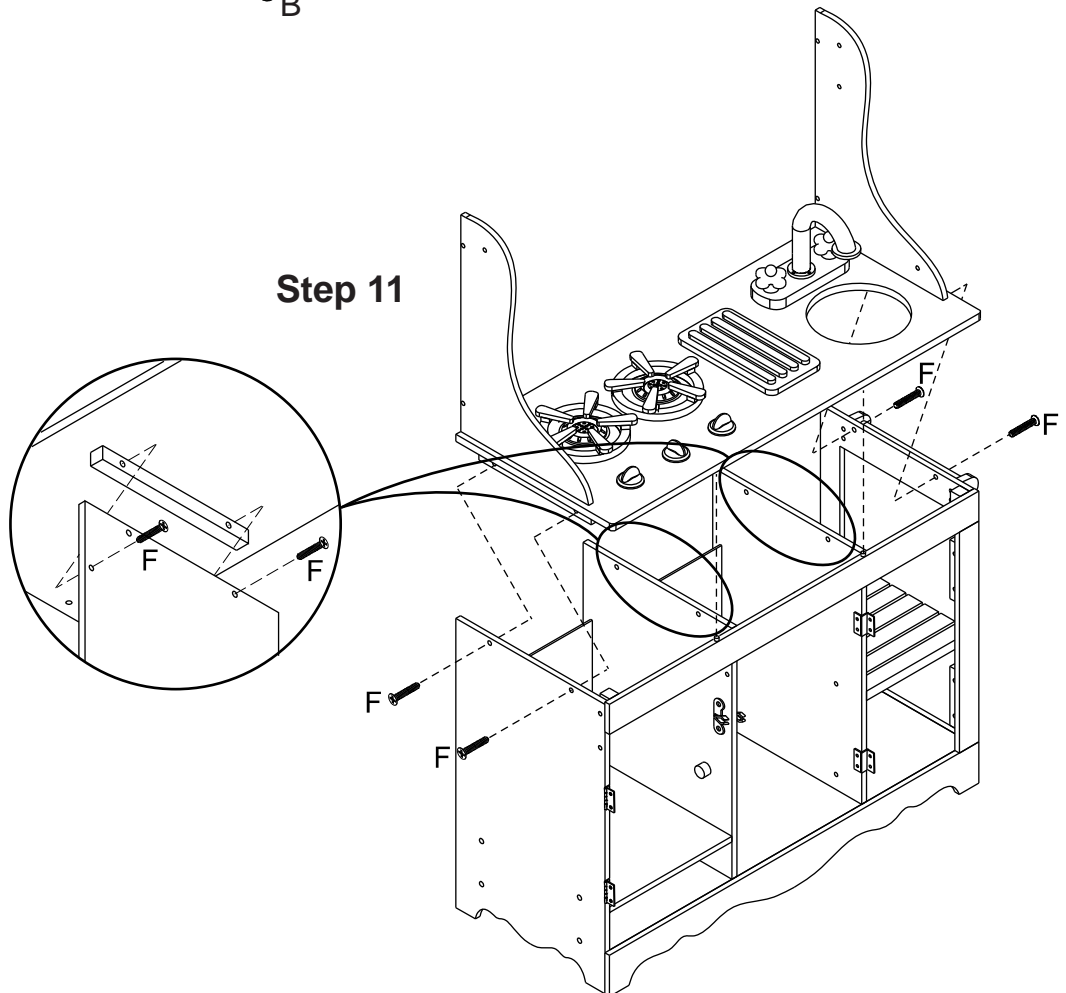
Step 9



Step 10



Step 11





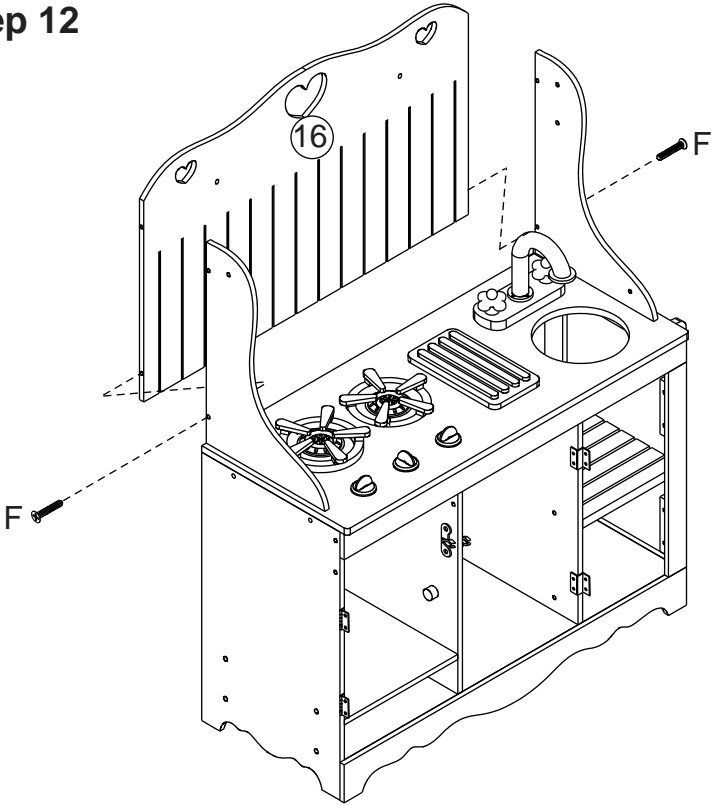
Prairie Kitchen

Assembly Instructions

© 2010 KidKraft, LP

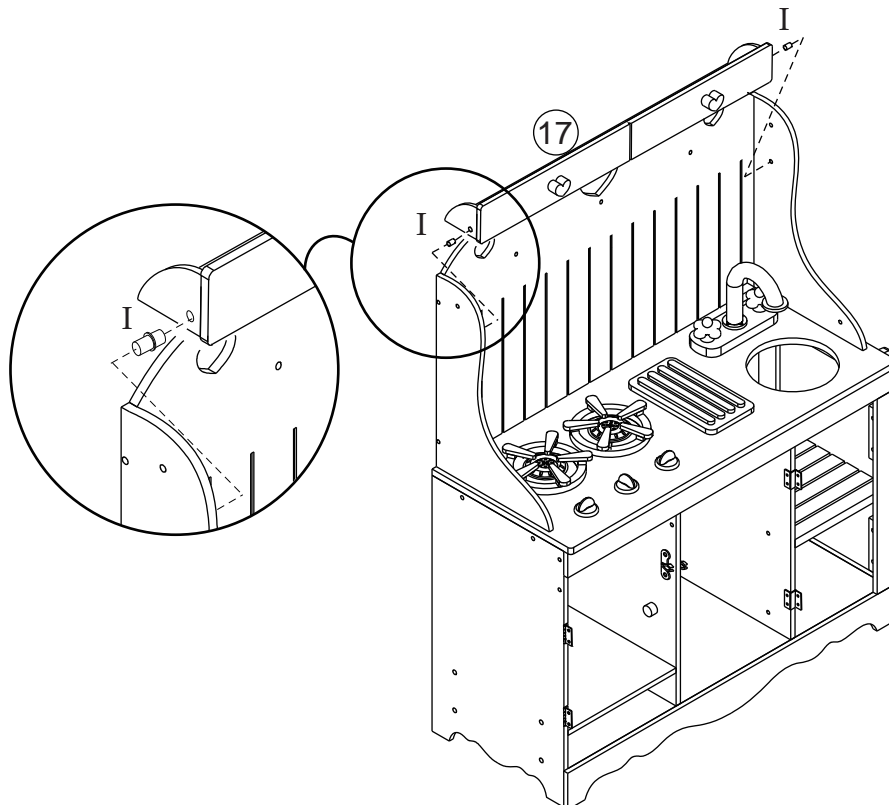
Item# 53151B

Step 12



Do not completely tighten hardware (F) until after Step 13.

Step 13



Once part 17 is in place, tighten hardware F in back panel.



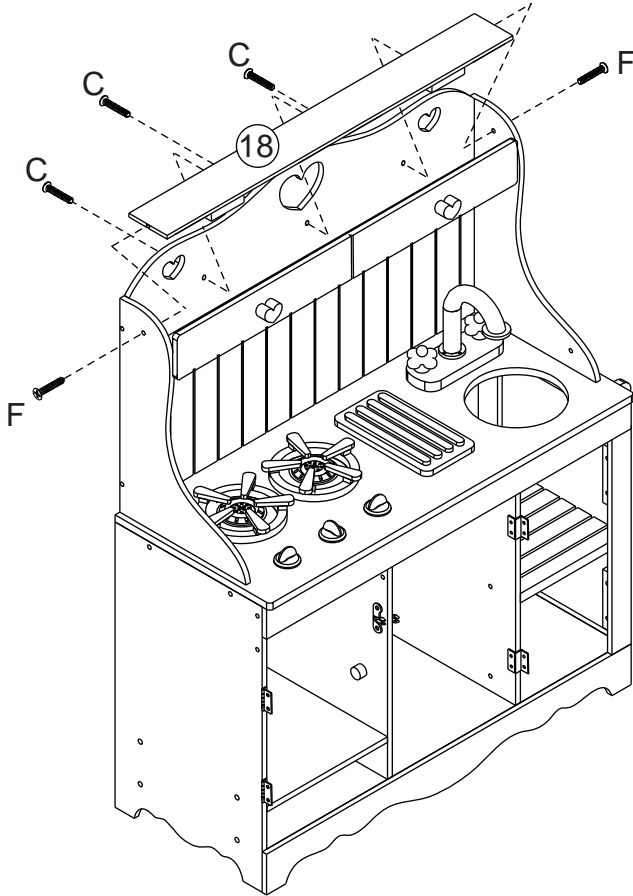
Prairie Kitchen

Assembly Instructions

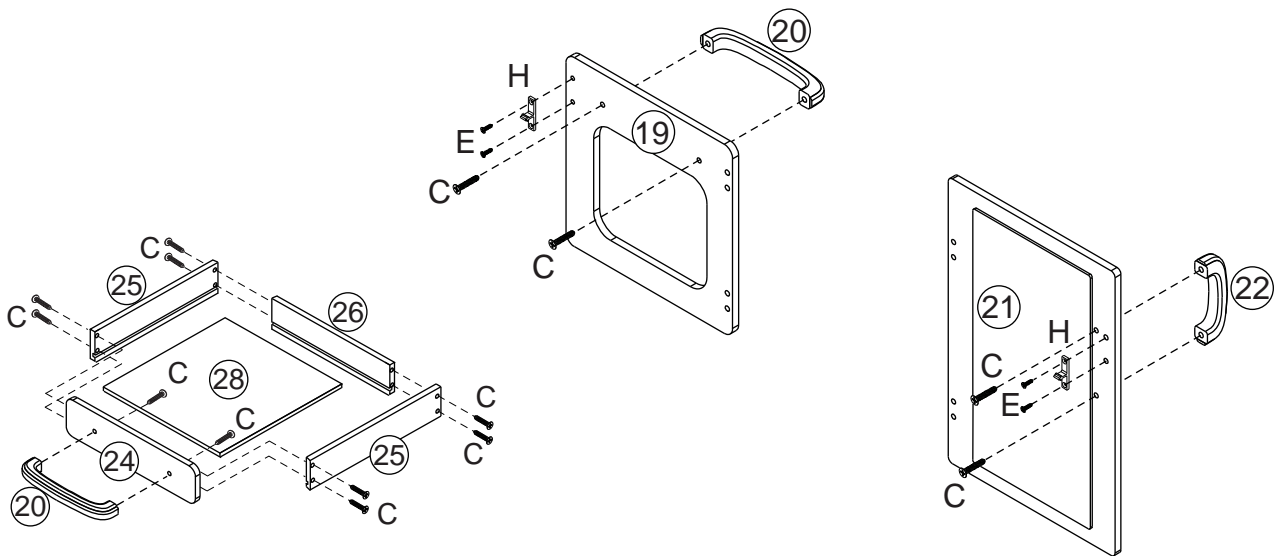
© 2010 KidKraft, LP

Item# 53151B

Step 14



Step 15





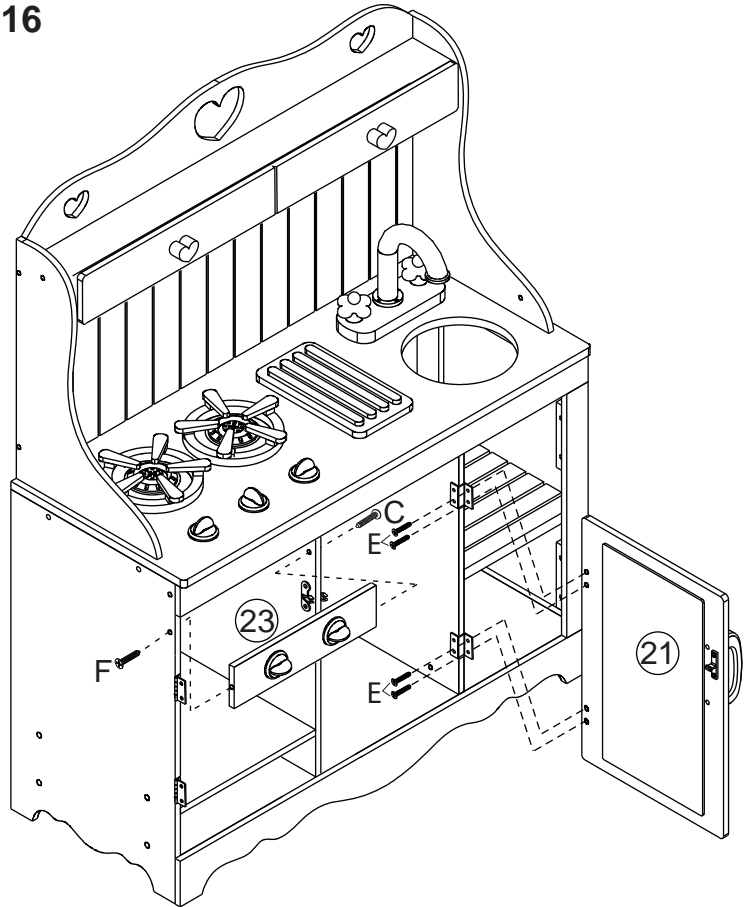
Prairie Kitchen

Assembly Instructions

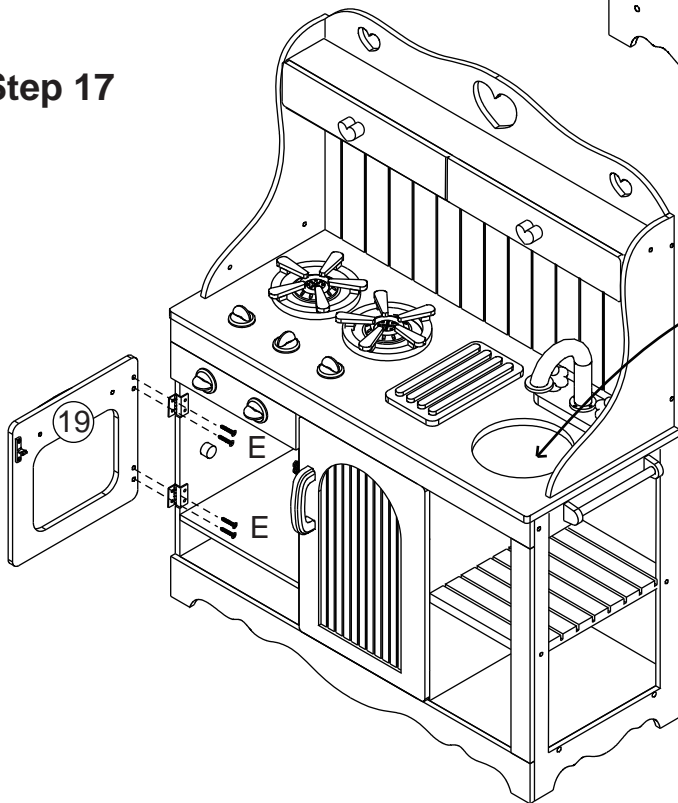
© 2010 KidKraft, LP

Item# 53151B

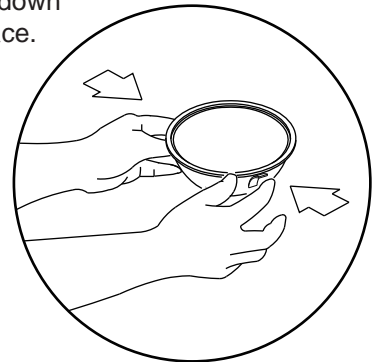
Step 16



Step 17



Push sink (part 29) down until it clicks into place.



To Remove Sink: The sink may only be removed by an adult. Hold the tabs and lift through the hole to release.



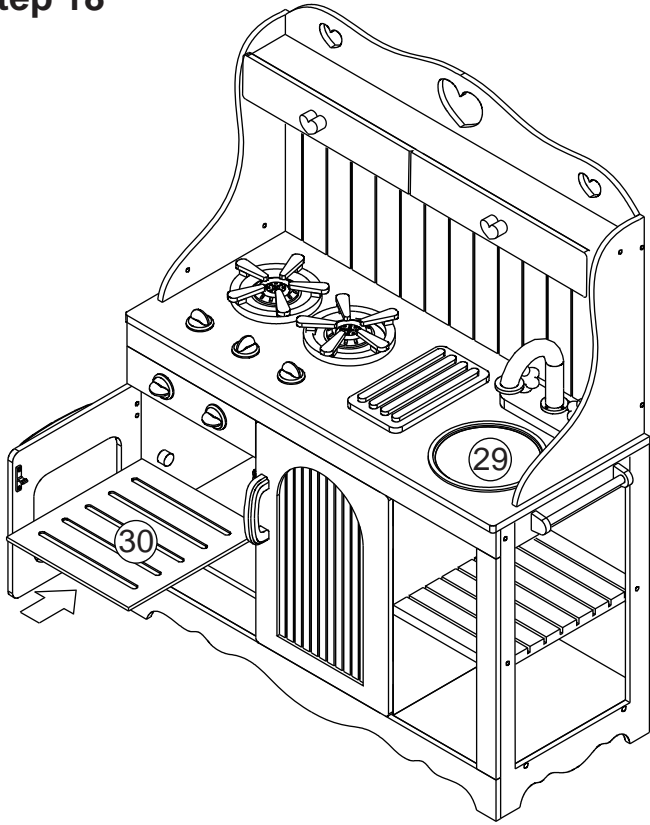
Prairie Kitchen

Assembly Instructions

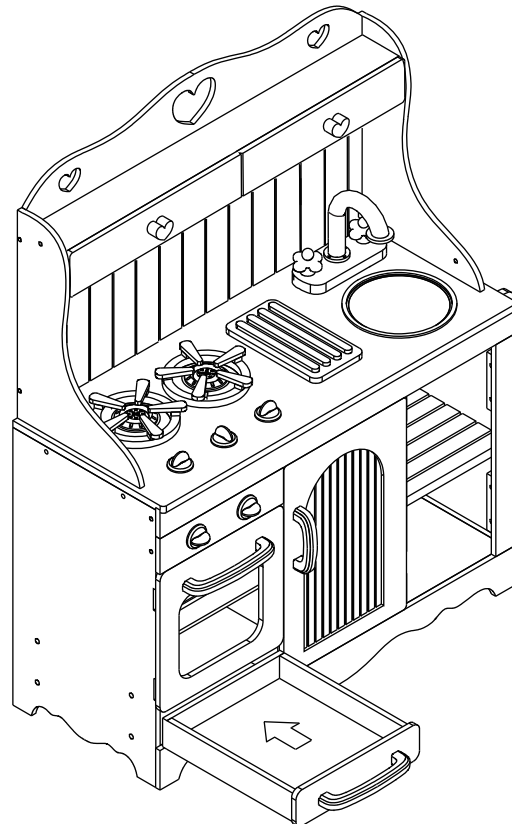
© 2010 KidKraft, LP

Item# 53151B

Step 18



Step 19





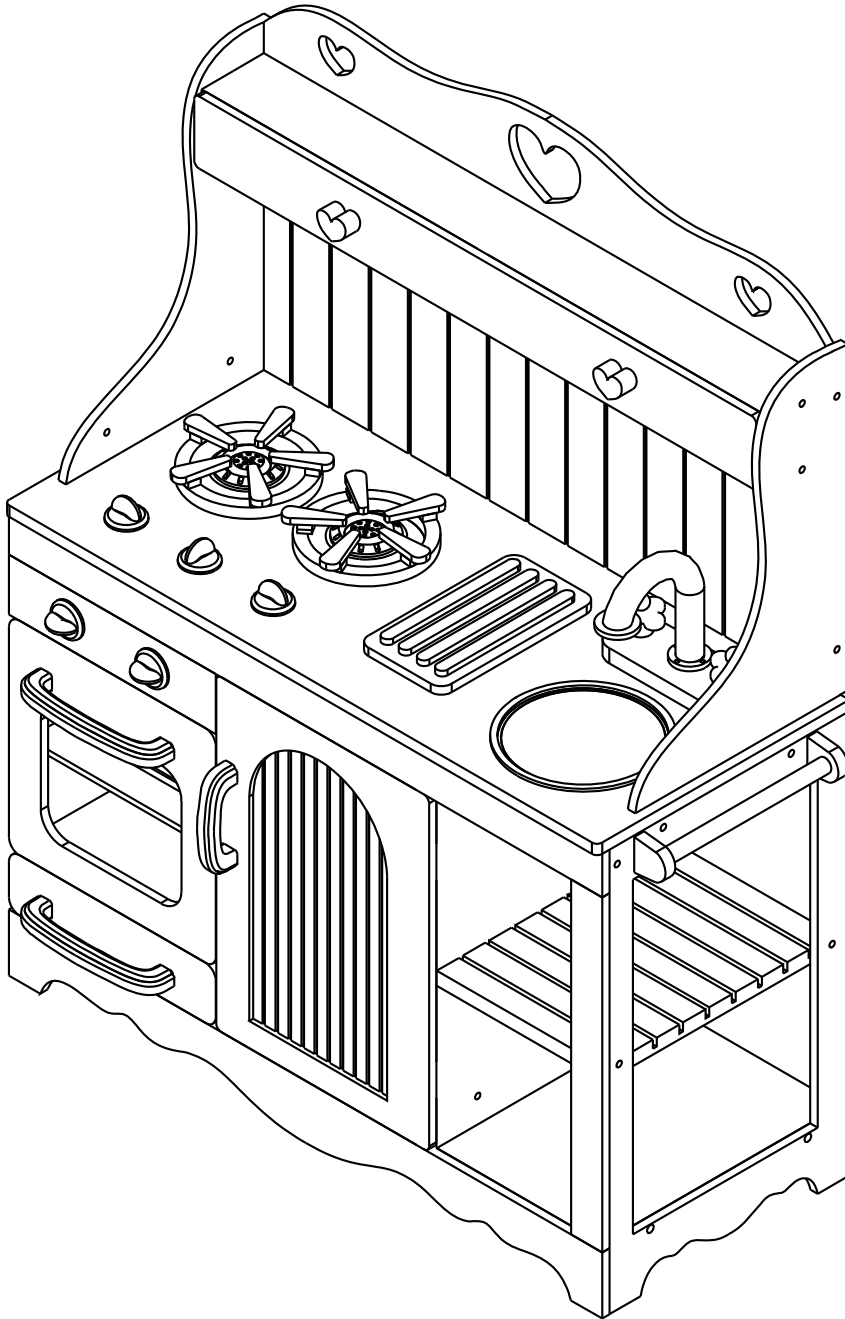
Prairie Kitchen

Assembly Instructions

© 2010 KidKraft, LP

Item# 53151B

Complete





Wall Anchor Assembly Instructions

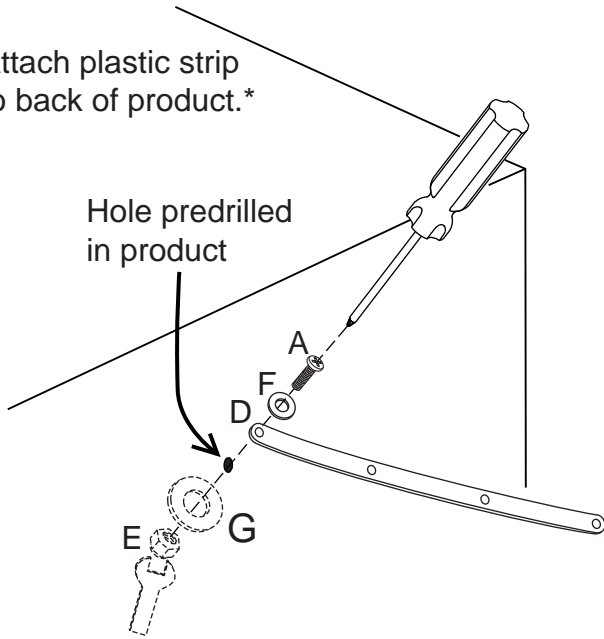
© 2011 KidKraft, LP

***For safe installation it is essential to use hardware appropriate for your wall type. This wall anchor is only for Drywall surfaces where wood studs are not available. Mount to wood wall studs whenever possible.

Use a 1/8" (3mm) drill bit for the pilot hole. If mounting to plaster, wood panels, brick or other surfaces than drywall consult your local hardware store or a qualified professional.

Step 1

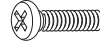
Attach plastic strip to back of product.*



*Product may vary

Hardware

A. Screw x 1



B. Wood Screw x 1



C. Plastic Anchor x 1



D. Plastic Strip x 1



E. Nylon Nut x 1



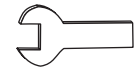
F. Small Washer x 2



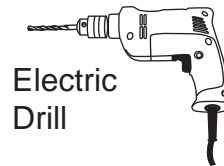
G. Large Washer x 1



Wrench x 1



The following tools (not included) are required for assembly:



Electric Drill



1/8" (3mm) Drill Bit



Phillips® Screwdriver

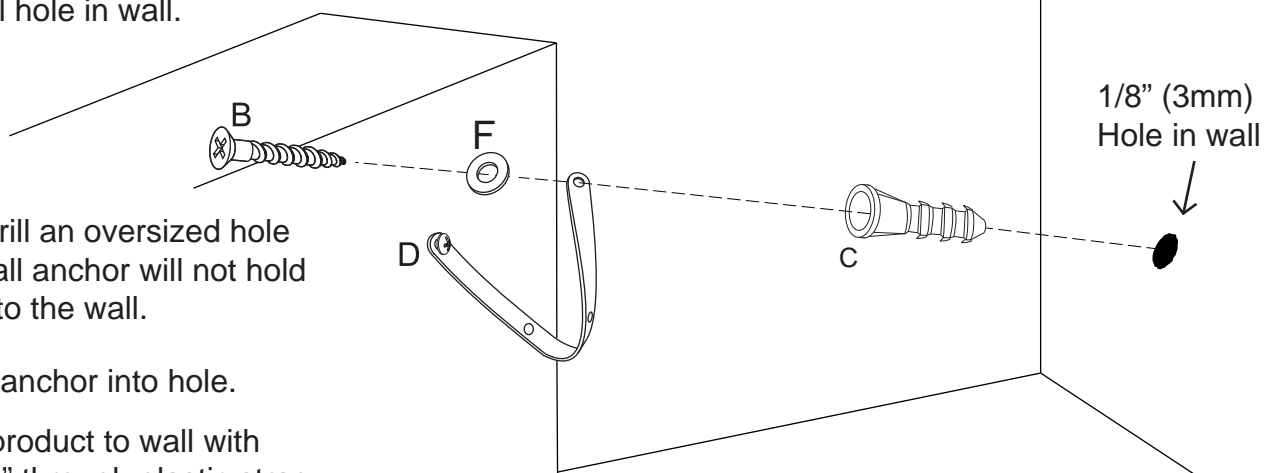
Step 2

Use 1/8" (3mm) drill bit to drill hole in wall.

Do not drill an oversized hole or the wall anchor will not hold tightly into the wall.

Tap wall anchor into hole.

Secure product to wall with screw "B" through plastic strap and into wall anchor.



⚠ WARNING:
ADULT ASSEMBLY REQUIRED.
Product includes small parts with potentially hazardous sharp points and sharp edges in the unassembled state. Keep unassembled parts away from children.

⚠ WARNING:
Do not install on a wall where items can fall off and injure a child.

⚠ WARNING:
CHOKING HAZARD. Unassembled parts may be choking hazard to children 3 years and younger.



Parental supervision required.

This toy is intended for children of a specific age or above. Parents should supervise the play area so that children younger than the intended age range do not interact with this toy. Use this toy on the floor. Do not allow children to climb on or around or in the toy.

IMPORTANT INFORMATION - PLEASE READ FIRST

ALL OF OUR WOODEN ITEMS ARE HANDCRAFTED, HAND ASSEMBLED, AND HAND PAINTED. EACH ONE IS UNIQUE. SLIGHT IMPERFECTIONS MAY OCCUR AND ARE NOT MANUFACTURING DEFECTS.

PLEASE NOTE THAT WE DO NOT WARRANTY AGAINST THE USE OF PERMANENT MARKERS, NON-WATER-BASED PAINTS, CRAYONS, OR WASHABLE MARKERS. SOME OF THESE ITEMS CONTAIN PERMANENT COLOR DYES THAT COULD DAMAGE THE SURFACE.

CLEANING INSTRUCTIONS

CLEAN THE SURFACE USING A SLIGHTLY DAMP CLOTH AND MILD DISH WASHING LIQUID IF NECESSARY. DO NOT USE ANY CLEANING PRODUCT CONTAINING ALCOHOL OR AMMONIA. THESE WILL DULL THE SHINY SURFACE OF THE PRODUCT. FURNITURE POLISH WILL ALSO WORK TO CLEAN AND DUST OFF THE SURFACE.

ADULTS: WASH ALL FOOD/DRINK PLAYTHINGS THOROUGHLY BEFORE USE. NOT DISHWASHER, OVEN OR MICROWAVE SAFE.

WE RECOMMEND THAT YOU TEST ALL CLEANING MATERIALS ON THE UNDERSIDE OF ANY SURFACE THAT WOULD NOT BE SEEN DURING NORMAL USE OF THE PRODUCT. IF YOU HAVE QUESTIONS REGARDING THE MAINTENANCE OF THIS PRODUCT PLEASE FEEL FREE TO CALL US.

SOLE AND LIMITED WARRANTY

THIS TOY IS WARRANTED SOLELY AGAINST MANUFACTURING DEFECTS FOR A PERIOD OF 90 DAYS FROM THE DATE OF PURCHASE, WHICH RUNS ONLY TO THE ORIGINAL USER OF THE TOY. IN THE EVENT OF A MANUFACTURING DEFECT, PARTS WILL BE REPLACED OR THE ENTIRE PRODUCT WILL BE REPLACED OR THE PURCHASE PRICE WILL BE REFUNDED, AT THE ELECTION OF THE MANUFACTURER. TO ACTIVATE AND PROTECT THIS WARRANTY, PRESERVE EVIDENCE OF ORIGINAL PURCHASE AND CAREFULLY INSPECT THE CONDITION OF THE TOY PRIOR TO AND AFTER ASSEMBLY, LOOKING FOR MISSING, DEGRADED, BROKEN OR HAZARDOUS PARTS, INCLUDING PARTS WHICH CAN BE SWALLOWED BY A CHILD, CAUSE A CHILD TO CHOKE, OR OTHERWISE CAUSE INJURY. SUCH PARTS MAY INCLUDE FASTENERS AND CONNECTORS. SHOULD YOU OBSERVE ANY DEFECTS, DO NOT USE THE TOY AND IMMEDIATELY NOTIFY THE MANUFACTURER. FAILURE TO DO SO SHALL CONSTITUTE MISUSE. MISUSE, IMPROPER ASSEMBLY, FAILURE TO HONOR A WARNING, FAILURE TO SUPERVISE, INSPECT OR MAINTAIN THE TOY, OR DAMAGE TO THE TOY, WHETHER INTENTIONAL OR INADVERTENT, SHALL INVALIDATE THIS WARRANTY. THIS WARRANTY GIVES YOU SPECIFIC LEGAL RIGHTS, AND YOU MAY ALSO HAVE OTHER RIGHTS WHICH VARY FROM STATE TO STATE.

TO SUBMIT A WARRANTY CLAIM PLEASE CONTACT KIDKRAFT CUSTOMER SERVICE AT 1-800-933-0771 FOR INSTRUCTIONS ON HOW TO PROVIDE PROOF OF PURCHASE AND HOW TO RETURN THE ITEM FREIGHT PRE-PAID.