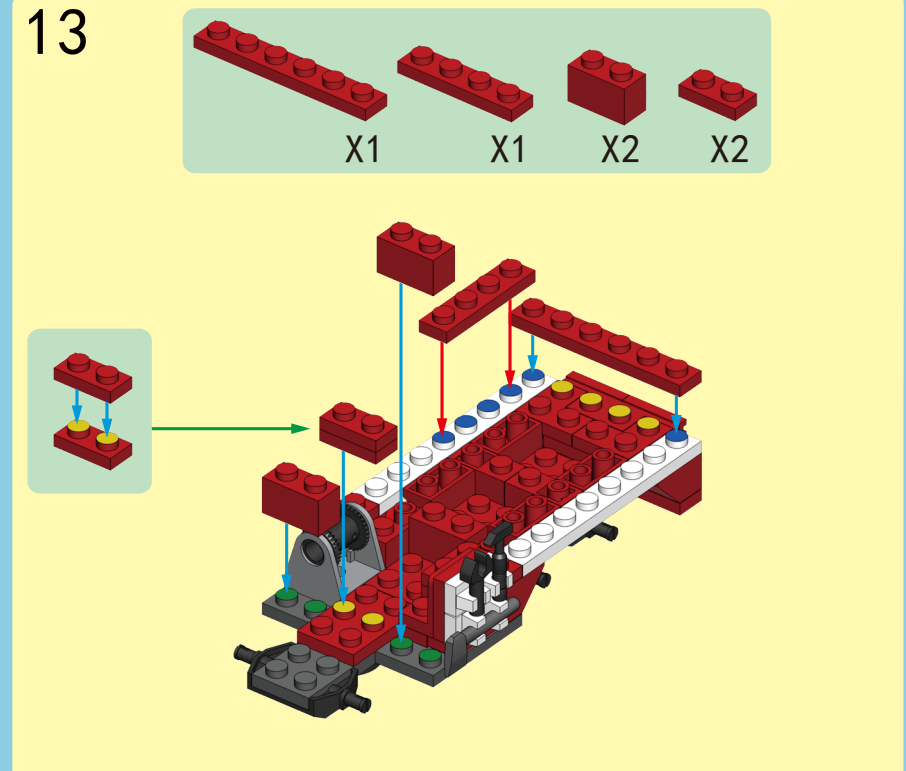
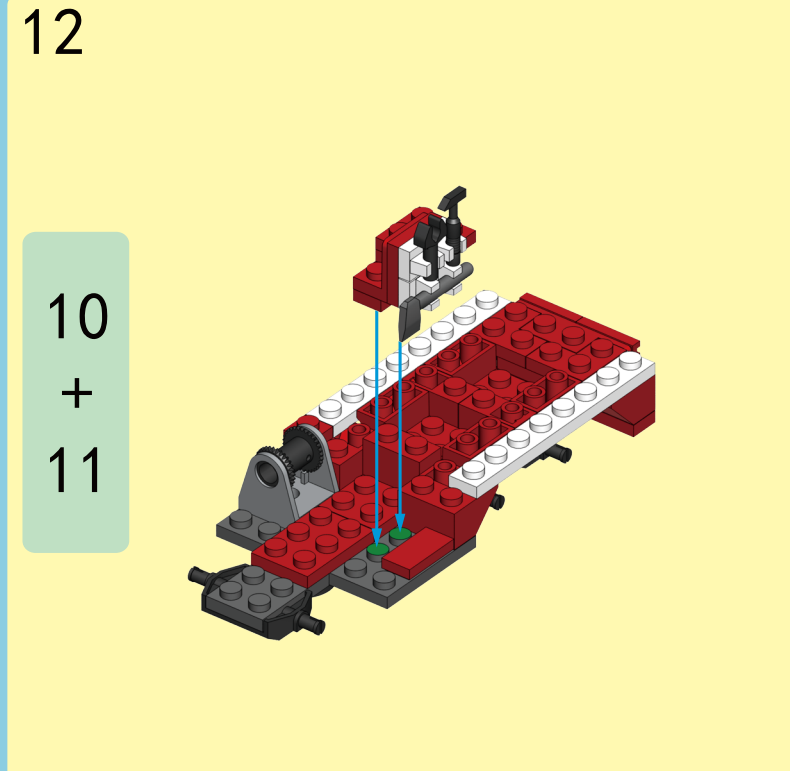
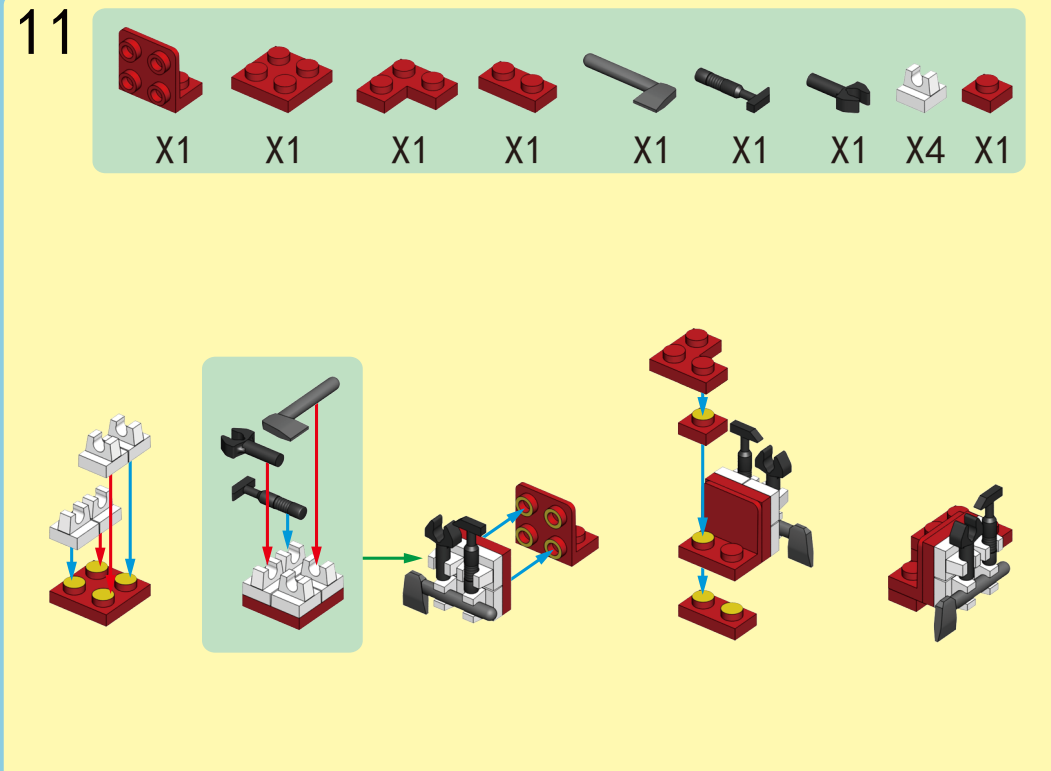
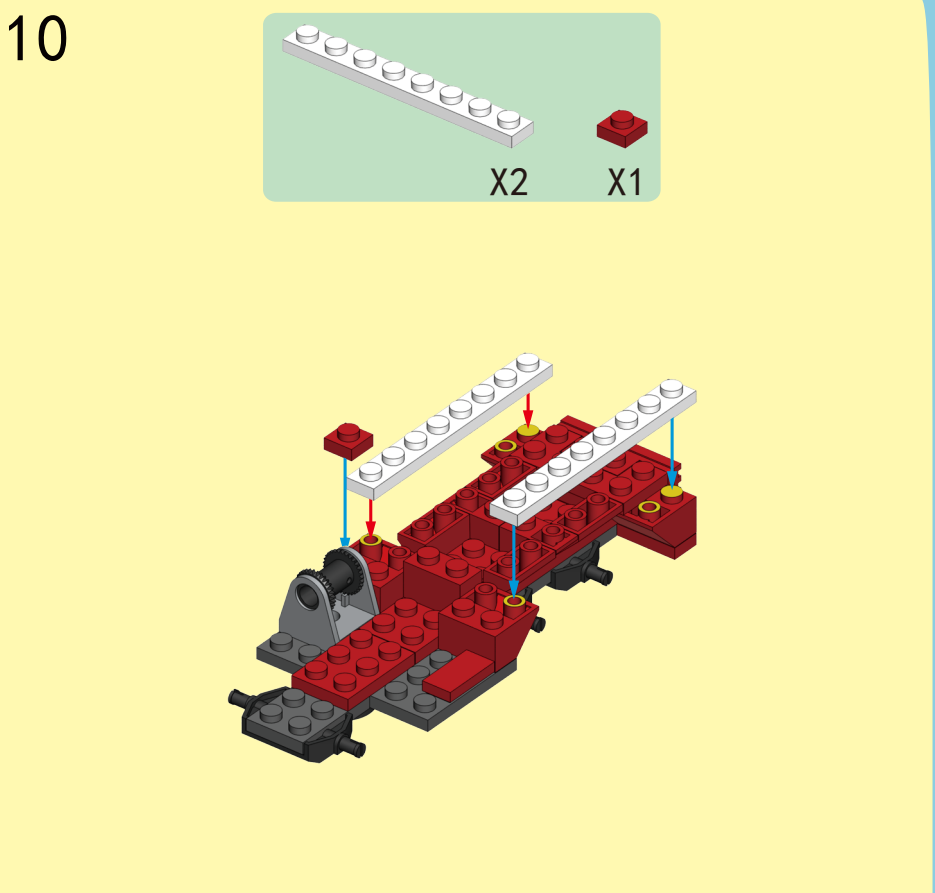
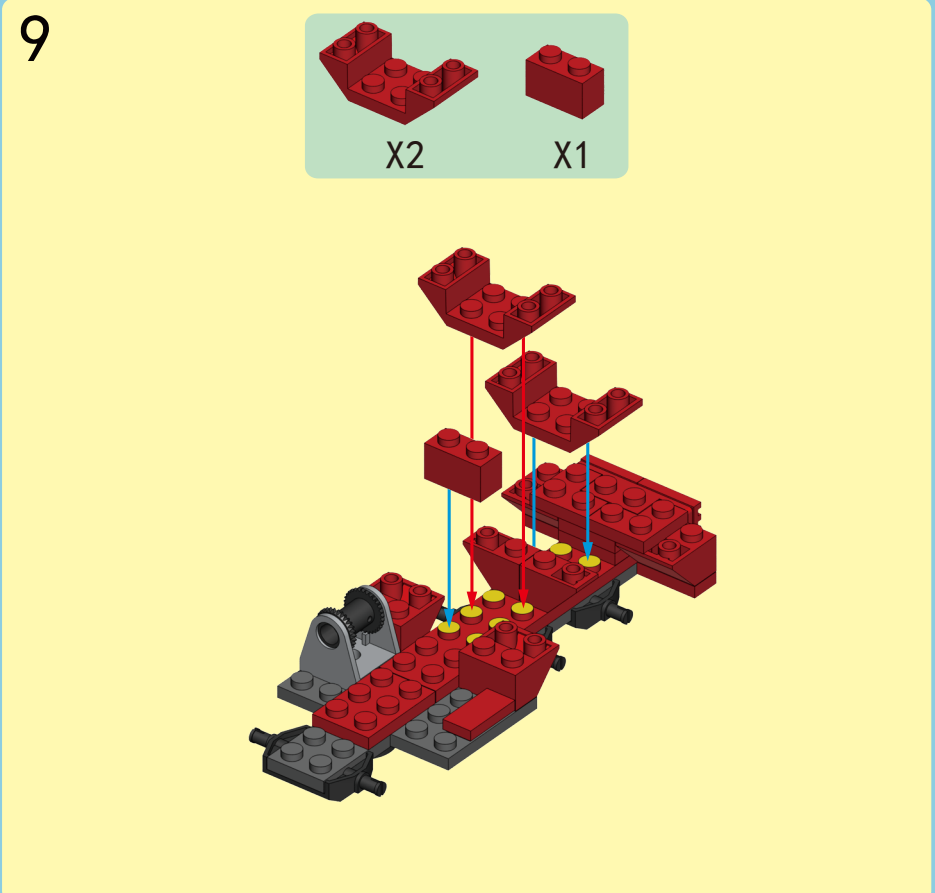
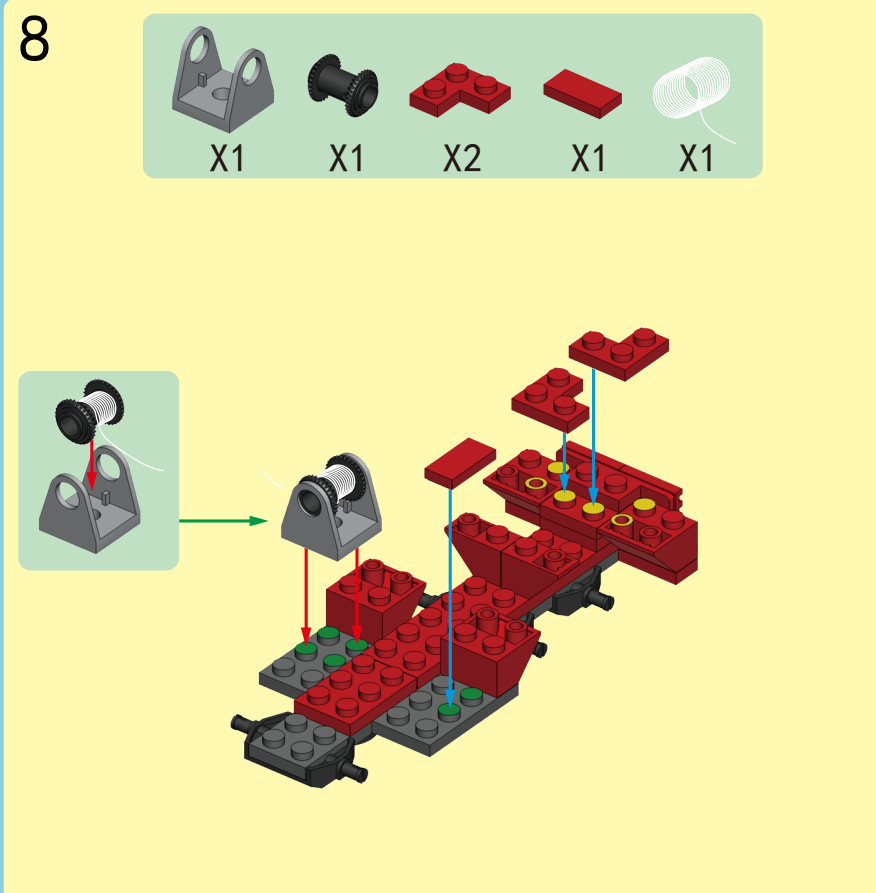
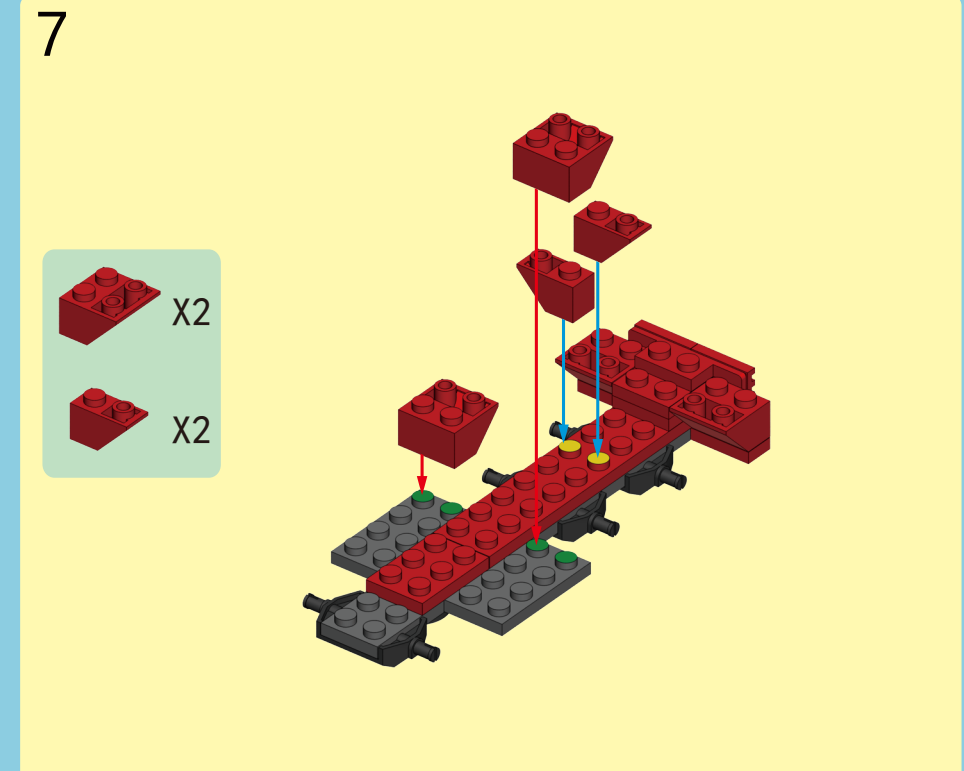
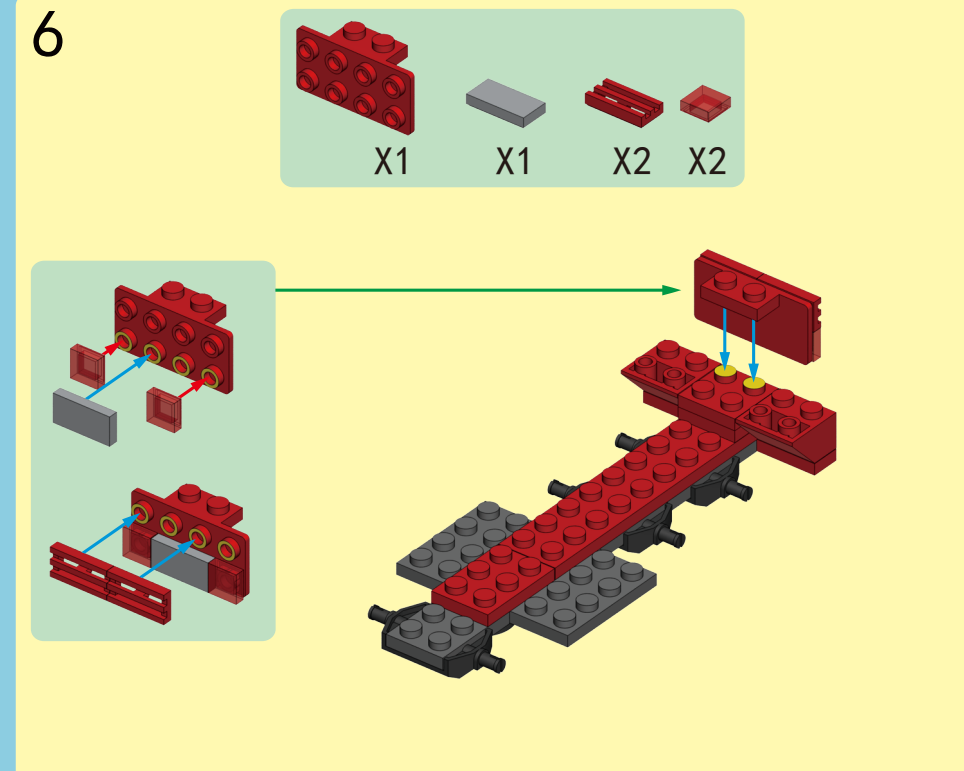
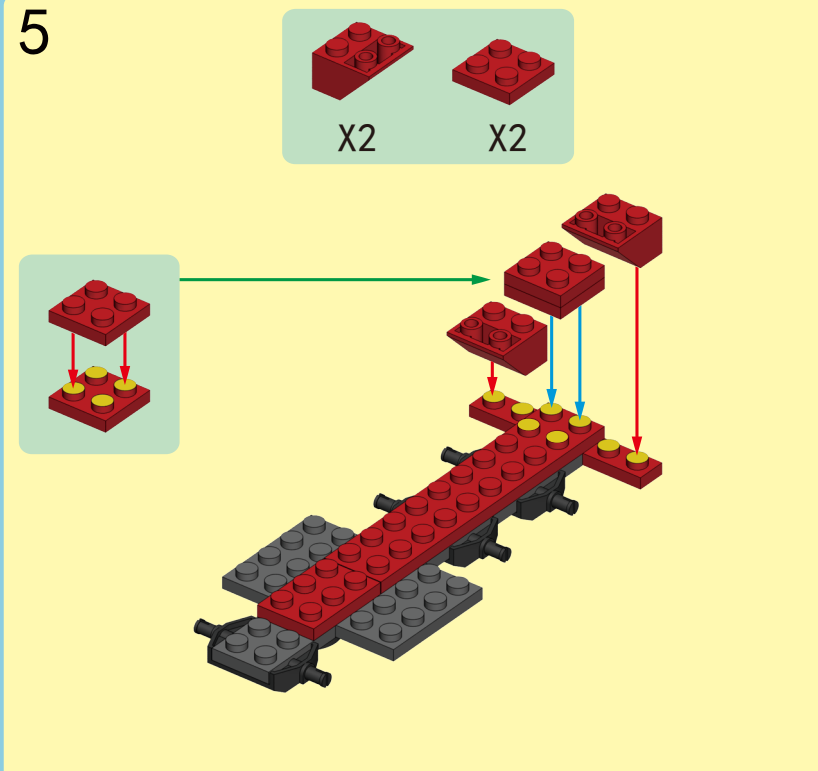
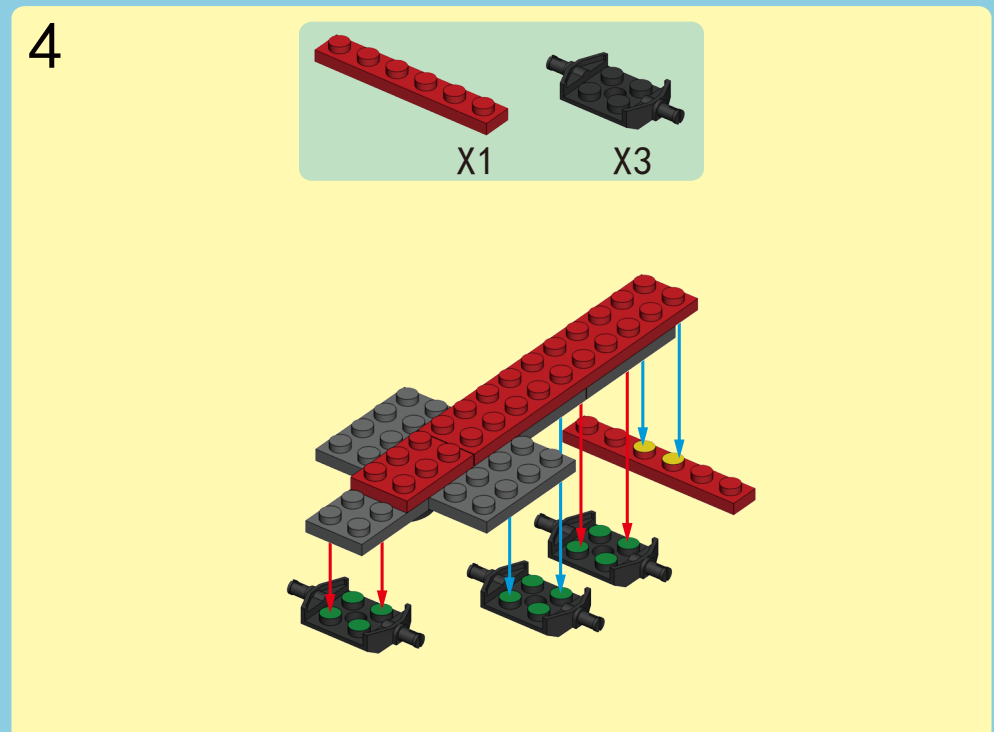
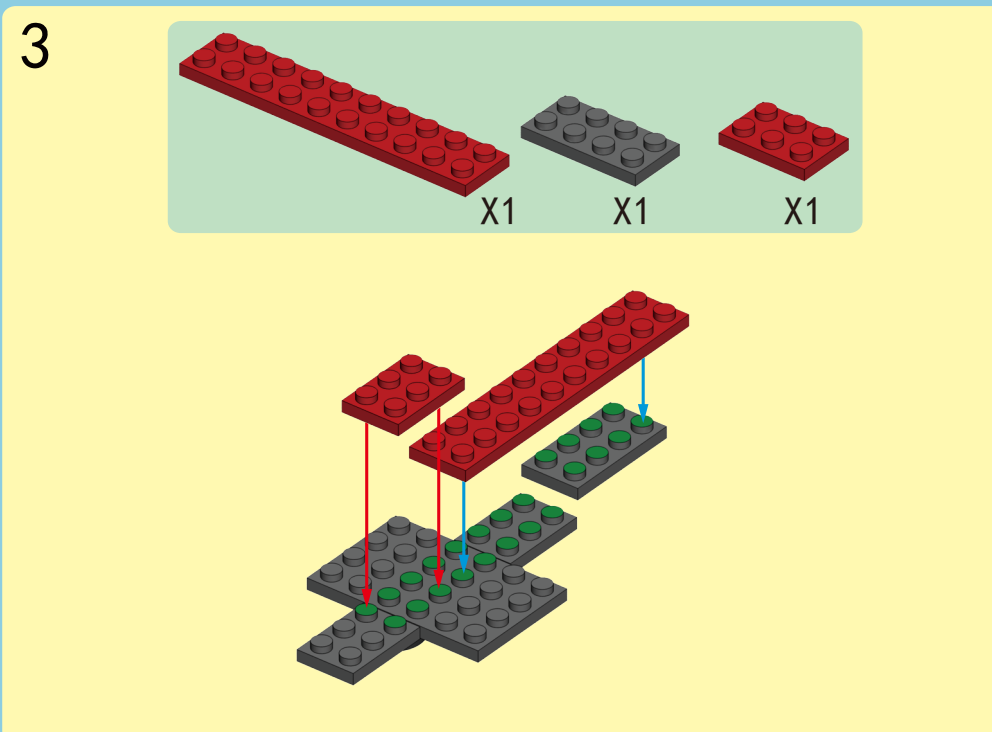
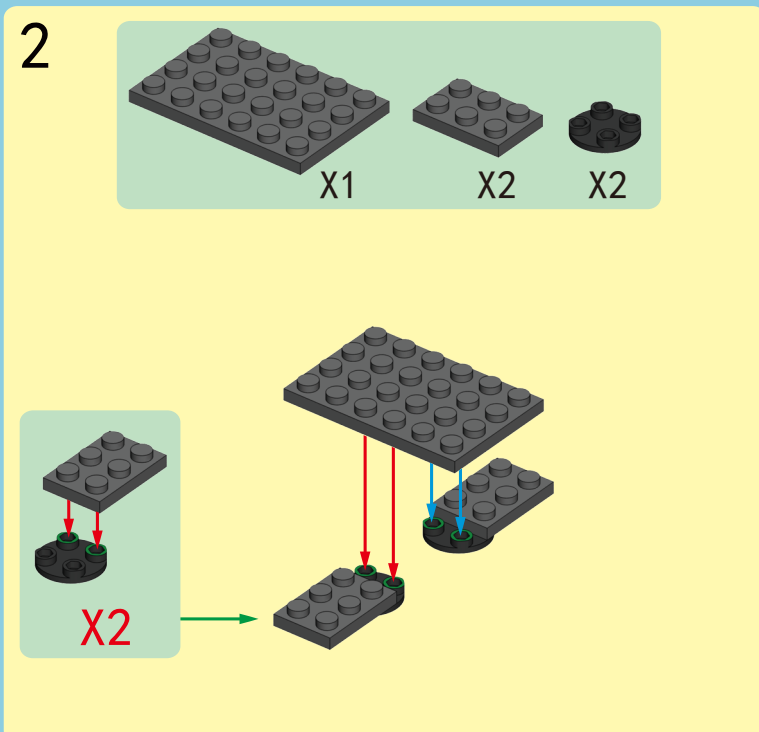
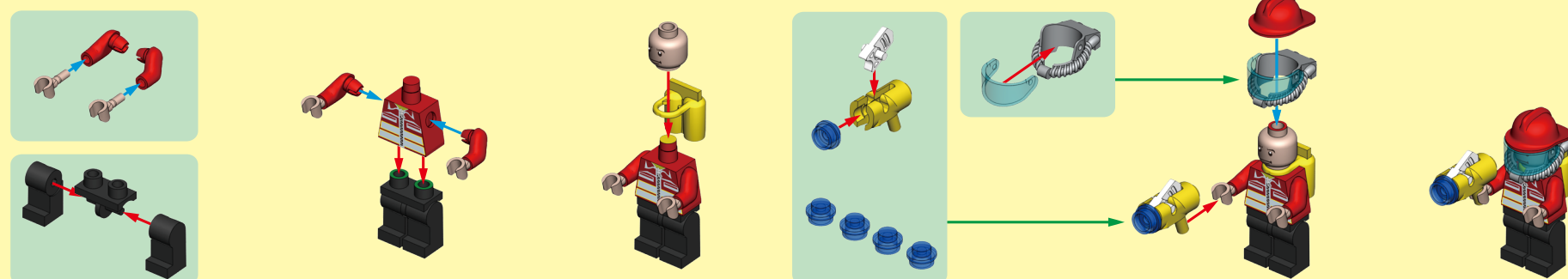
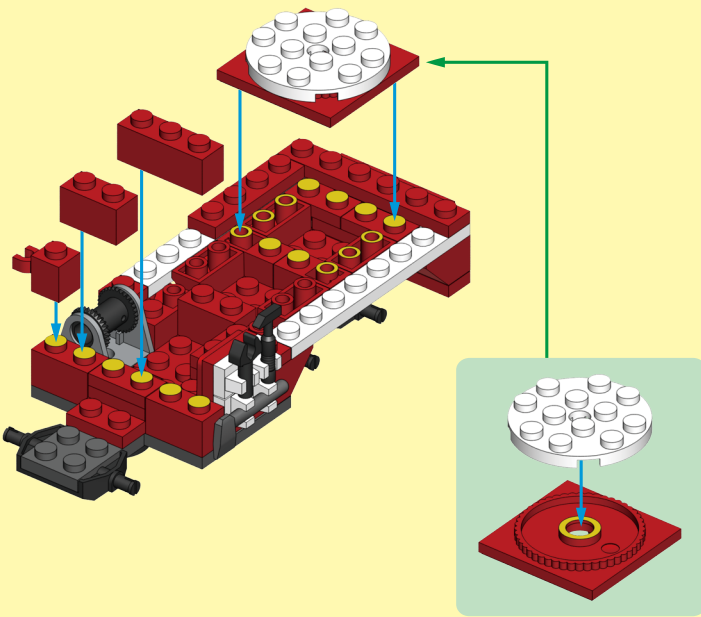
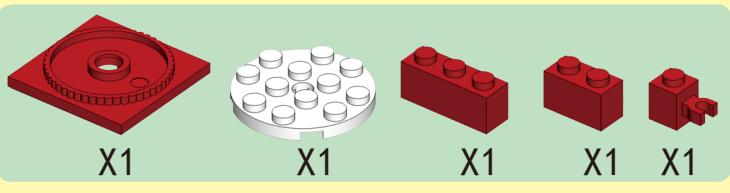




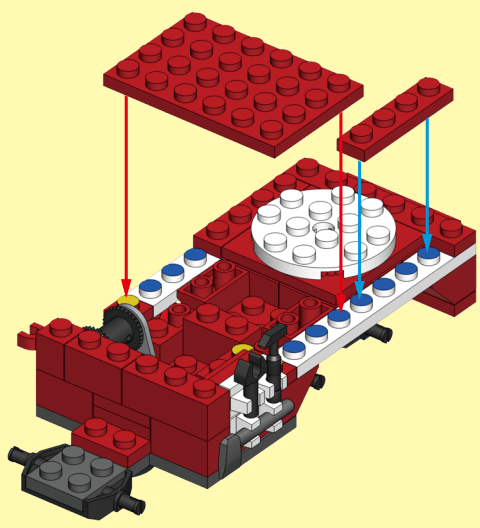
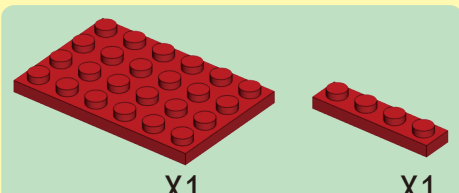
- 1
- X1
  - X1
  - X1
  - X1
  - X1
  - X1
  - X1
  - X1
  - X1
  - X1
  - X1
  - X1
  - X1
  - X2
  - X5



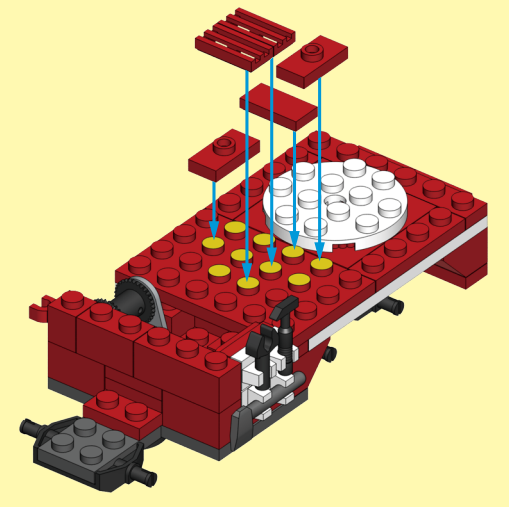
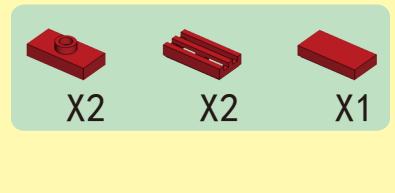
14



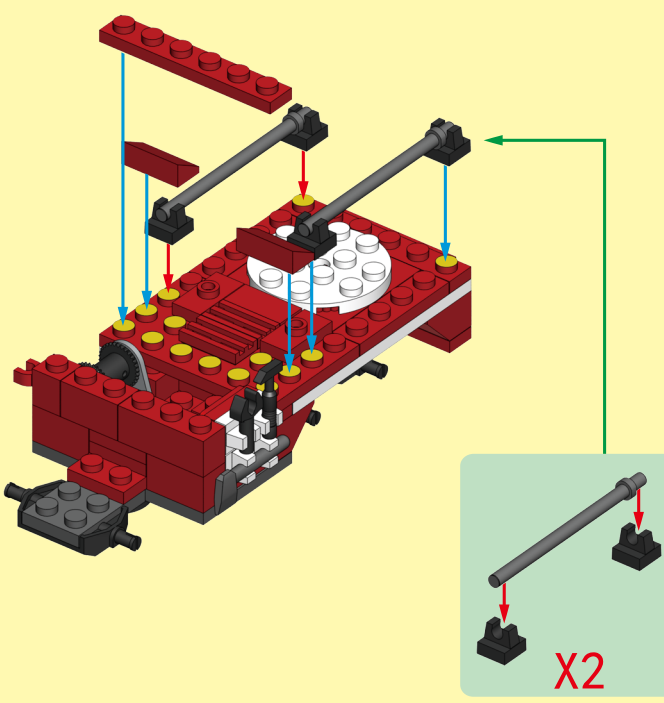
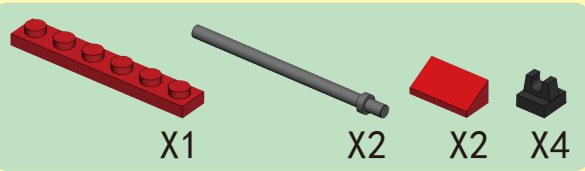
15



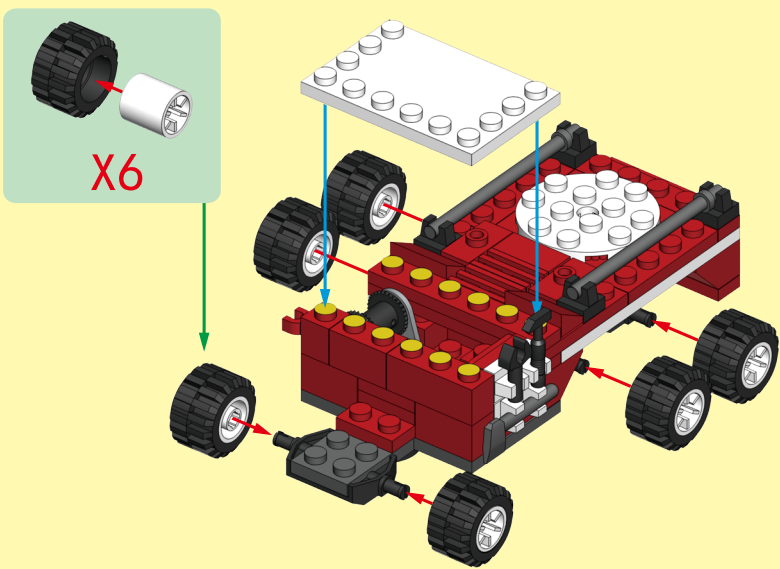
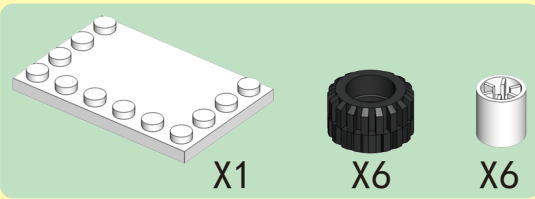
16



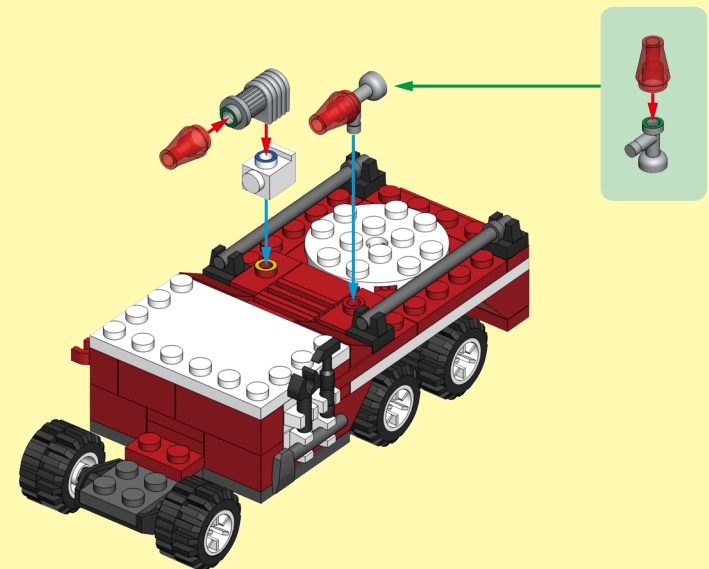
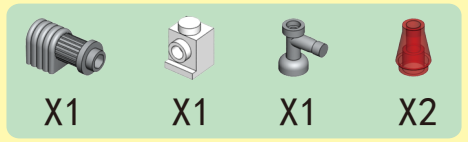
17



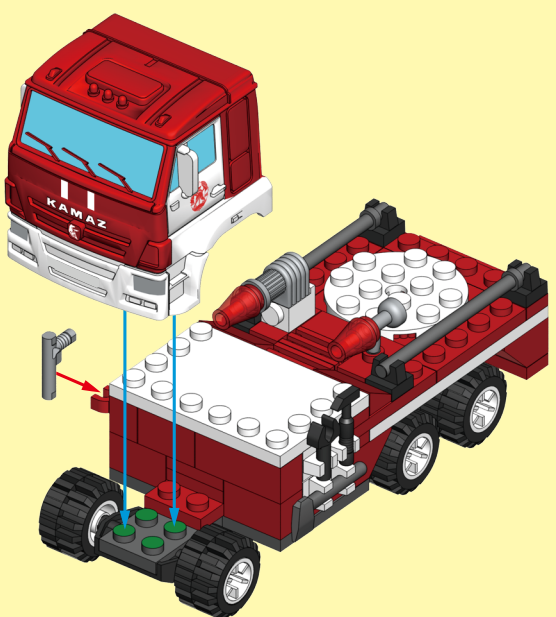
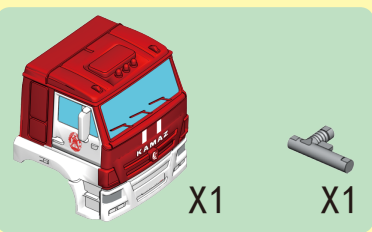
18



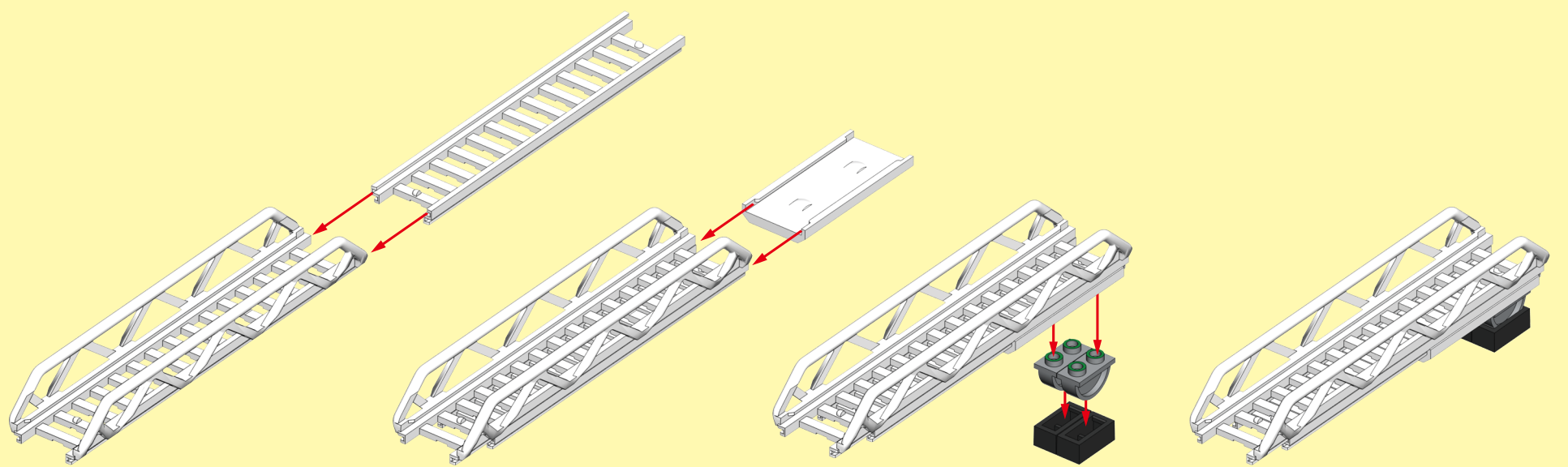
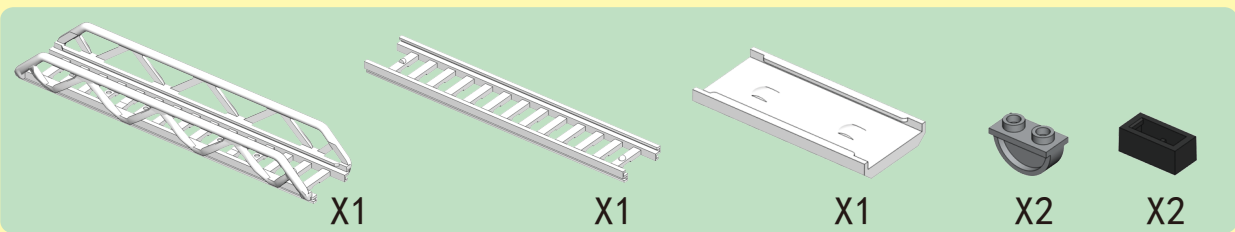
19



20

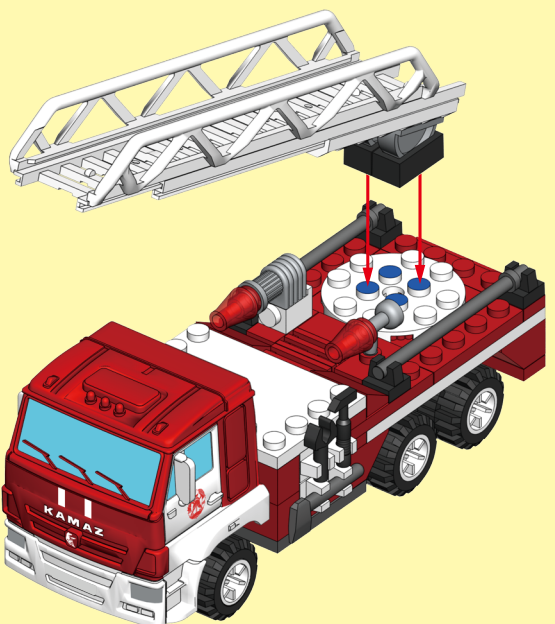


21



22

20 + 21



23

1 + 22

