

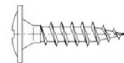
A x 4 **D** x 4 **G** x 3



10 mm

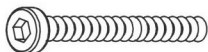


4x30 mm



4x10 mm

B x 33 **E** x 4 **H** x 33



40 mm



10 mm



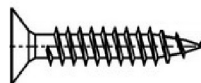
C x 4 **F** x 4 **I** x 18



16 mm



16 mm



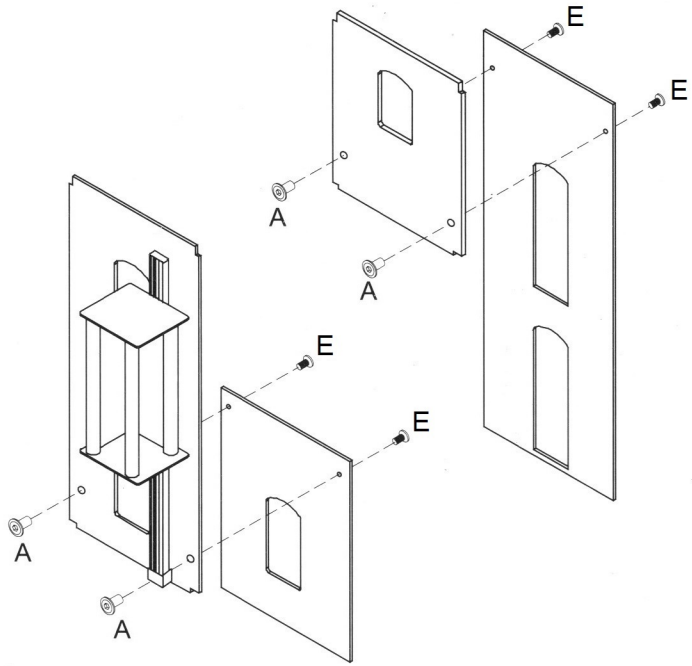
4x16 mm

J x 8

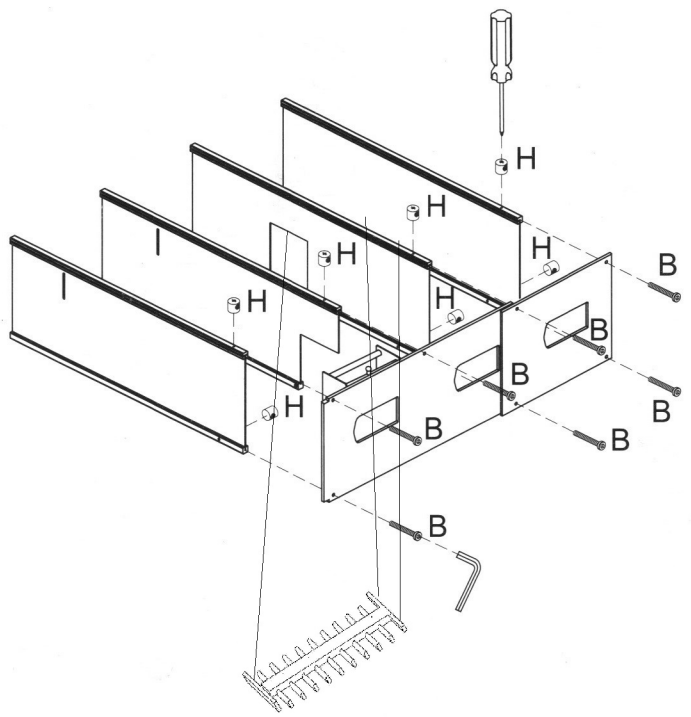
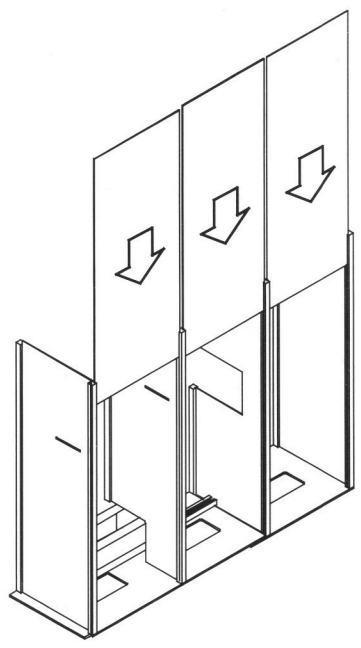


2x10 mm

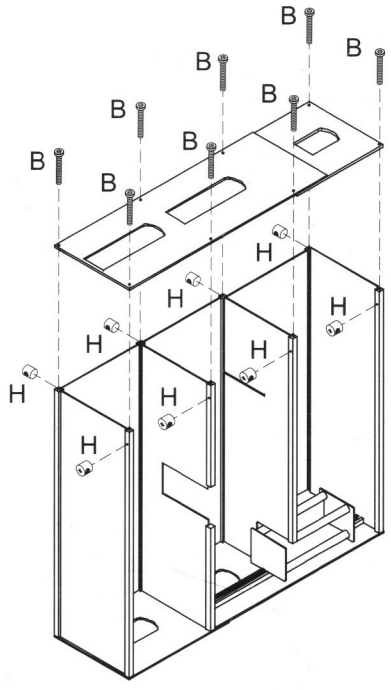
1



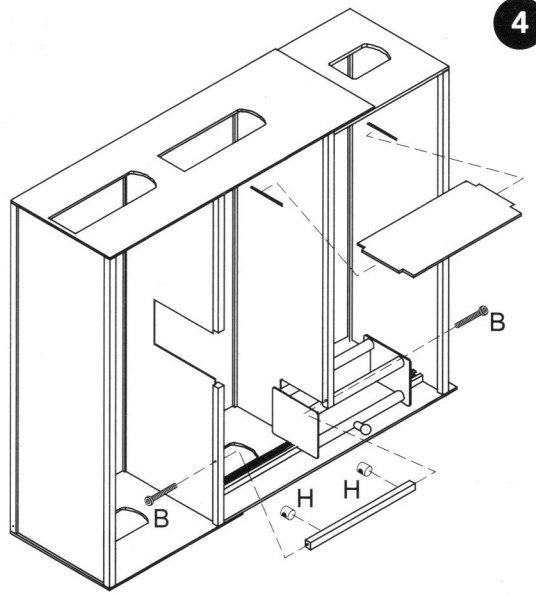
2



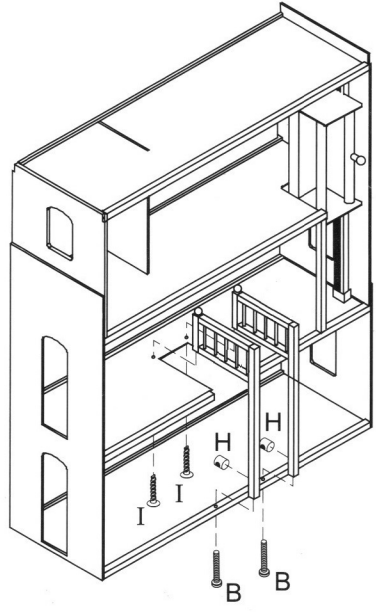
3



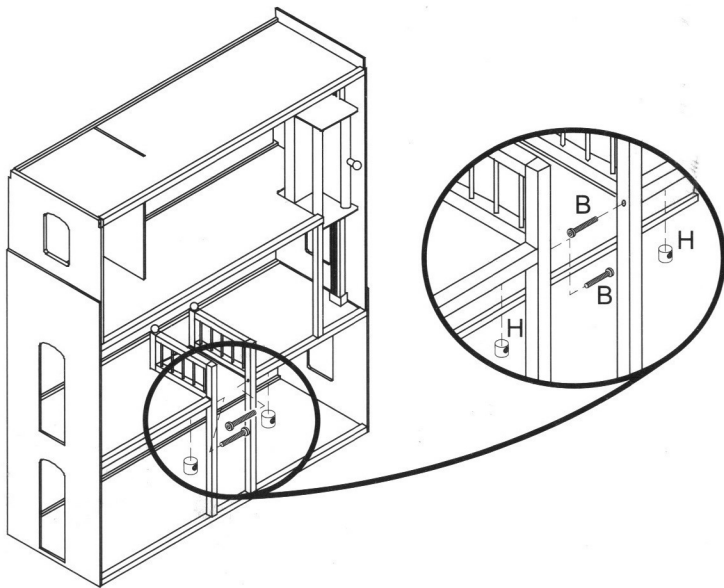
4



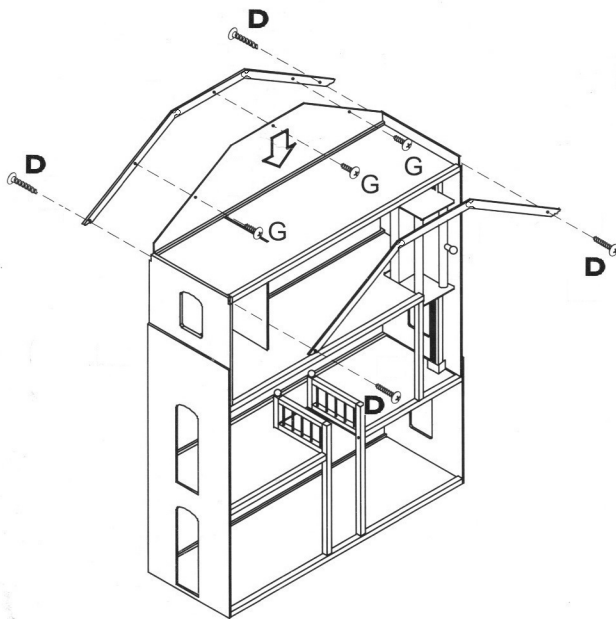
5



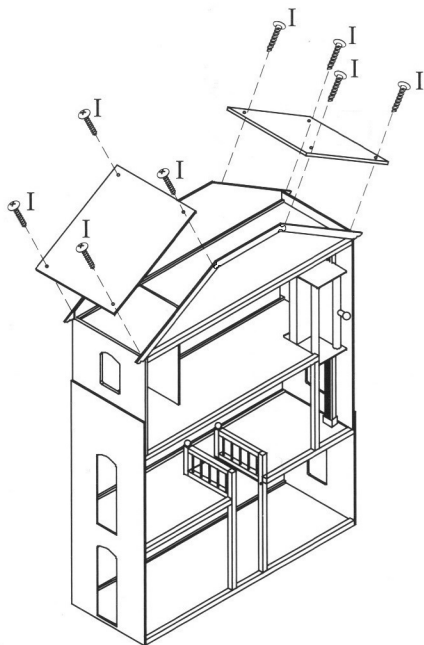
6



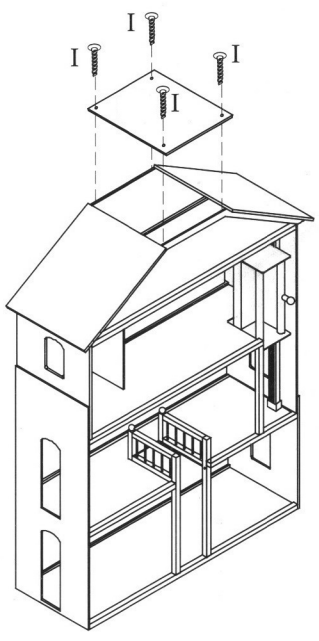
7



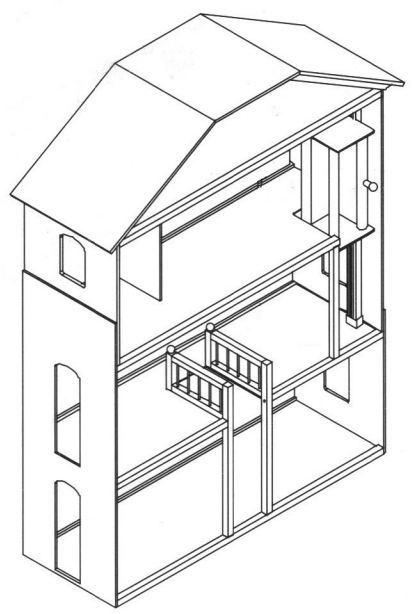
8



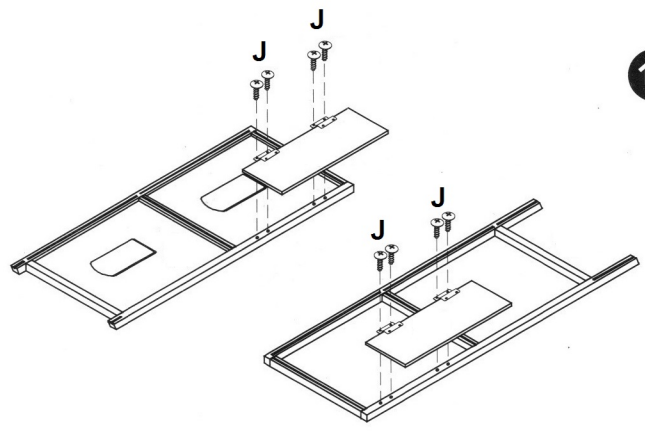
9



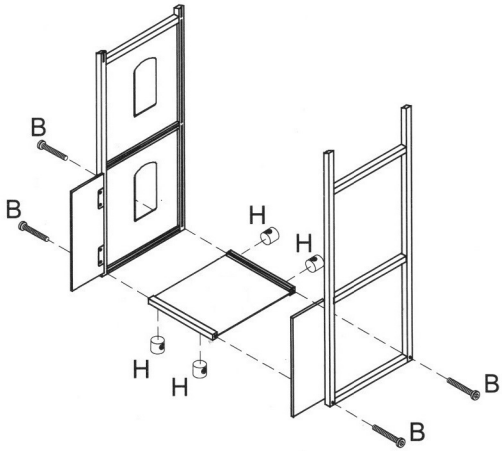
10



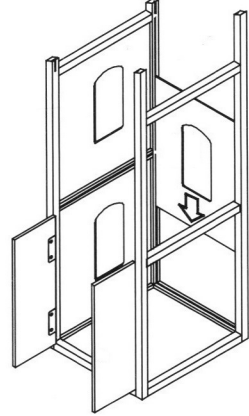
11



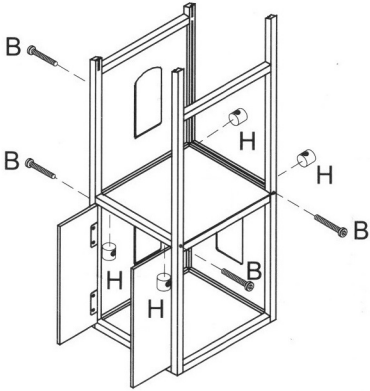
12



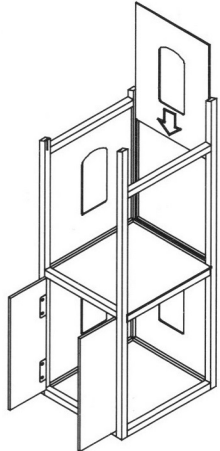
13



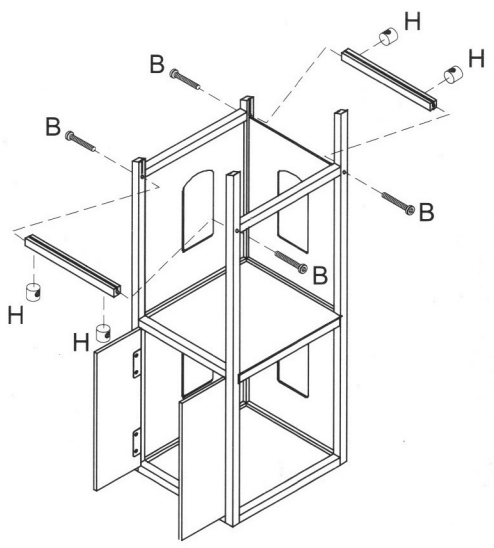
14



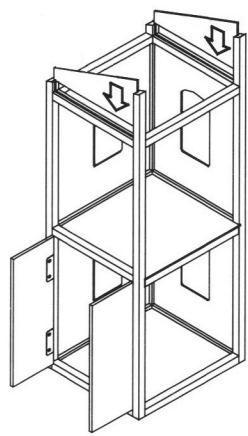
15



16



17



18

