

**LEGO**

# NINJAGO

Masters of Spinjitzu



70622



7

[LEGO.com/NINJAGO](http://LEGO.com/NINJAGO)



1



2

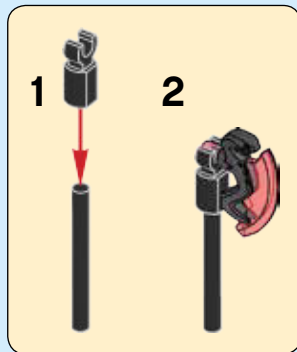
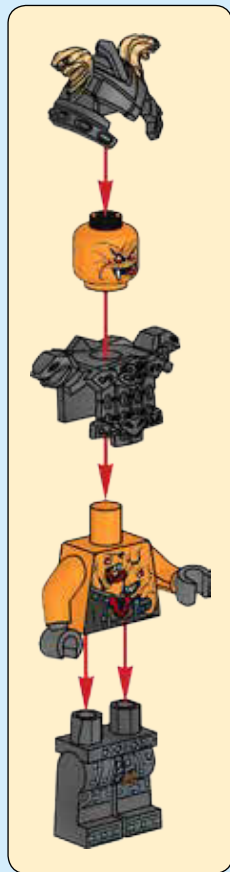


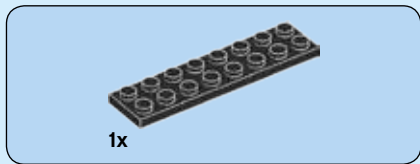
3



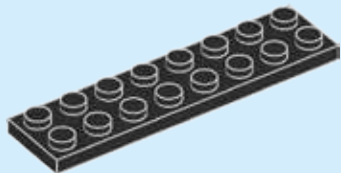
4



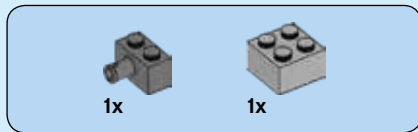




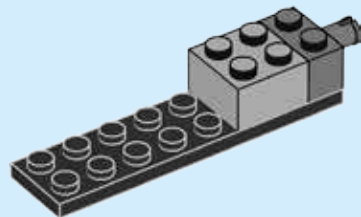
1



4



2





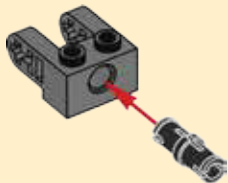
1x



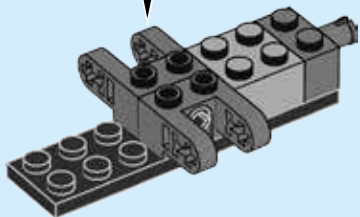
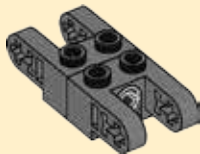
2x

# 3

1



2

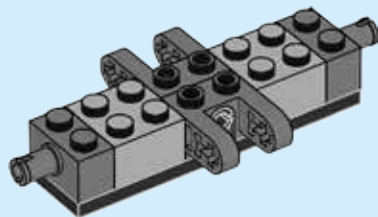


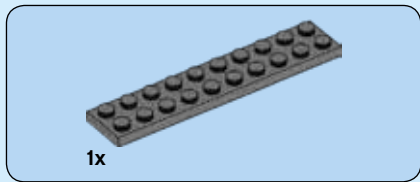
1x



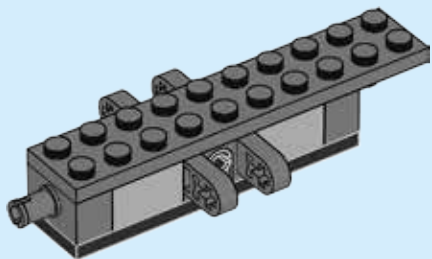
1x

# 4

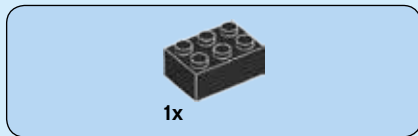




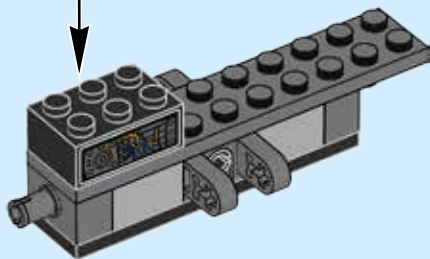
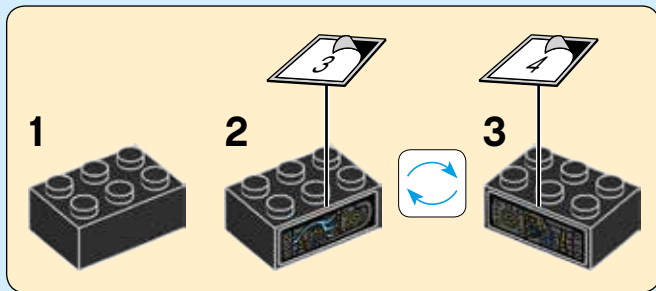
5

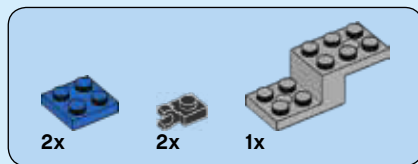


6

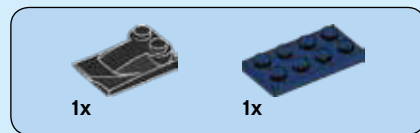
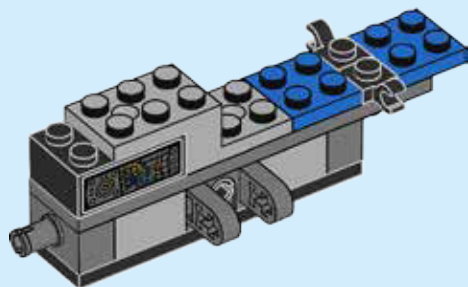


6

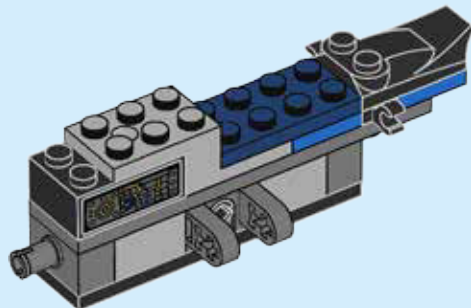




7

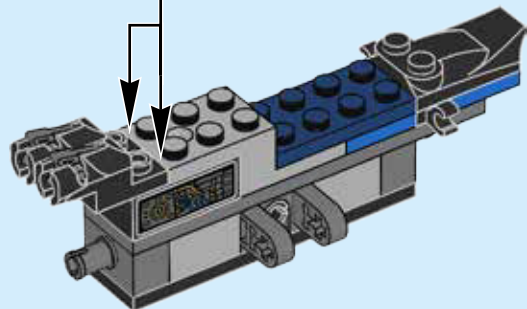
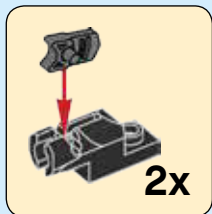


8

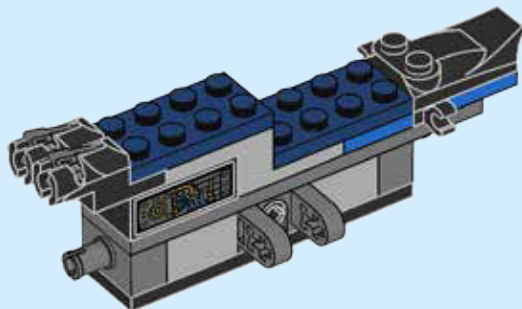




9



10







1x

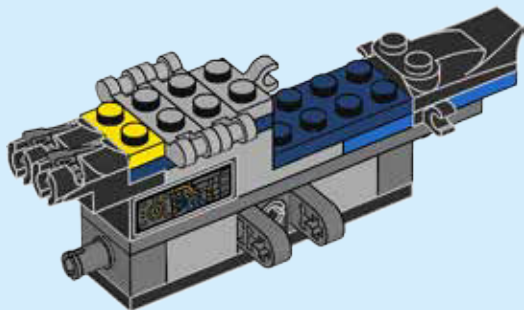


1x



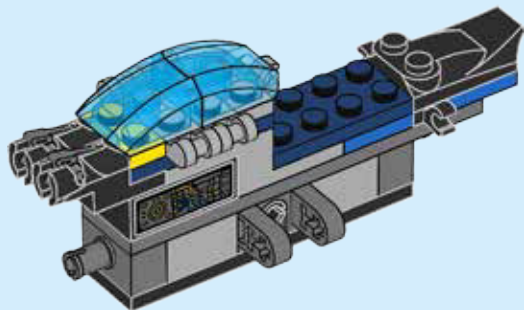
2x

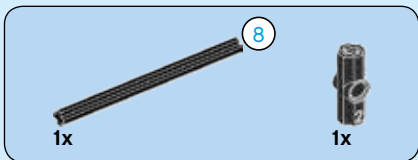
# 11



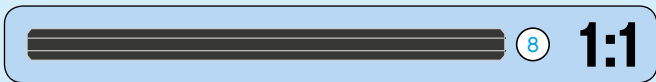
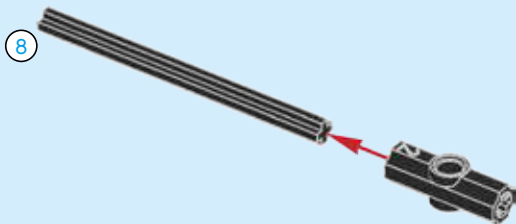
2x

# 12





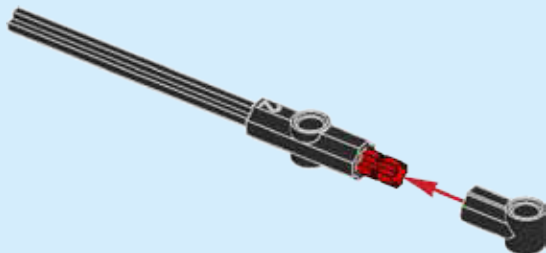
13

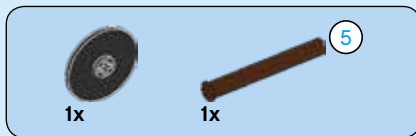


10

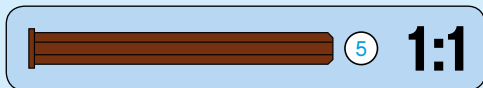
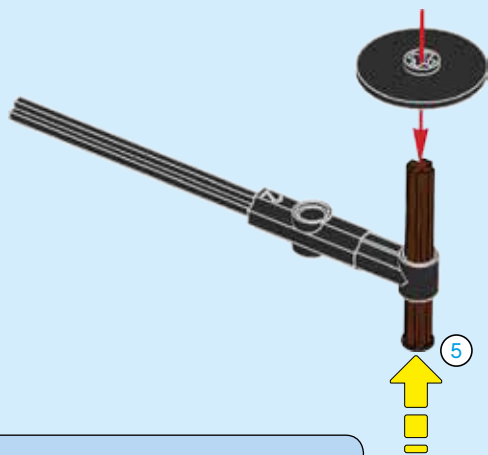


14





15

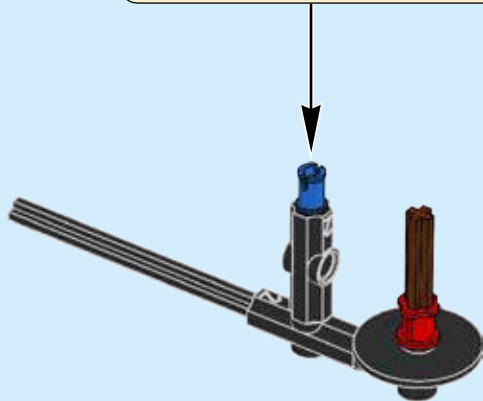
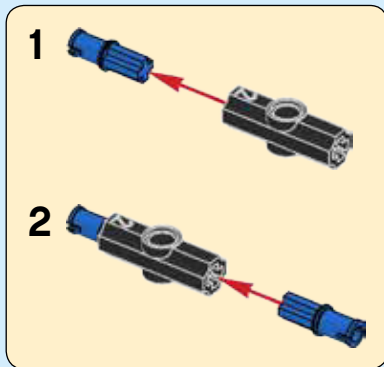


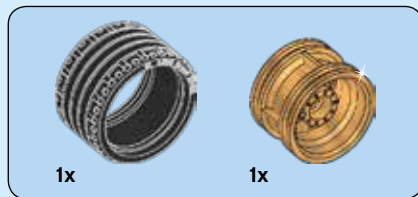
16



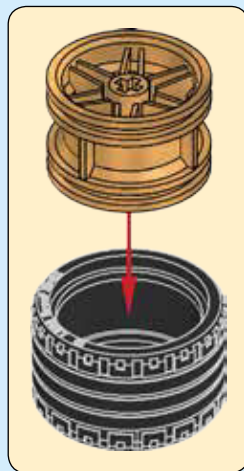


17





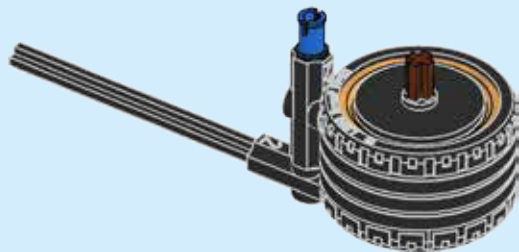
18

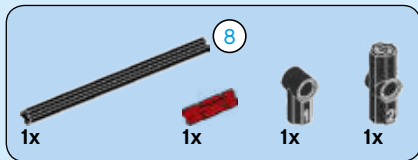




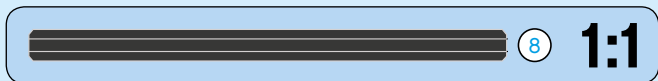
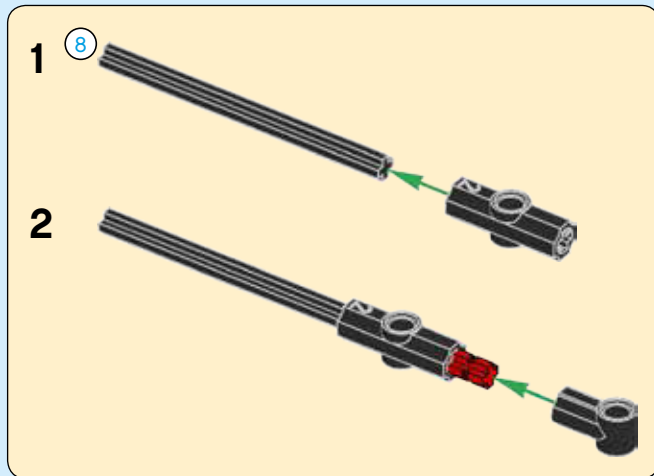
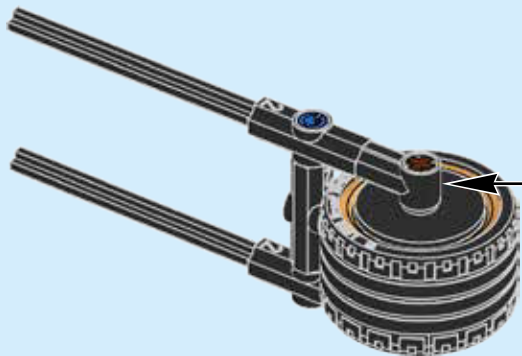
1x

19

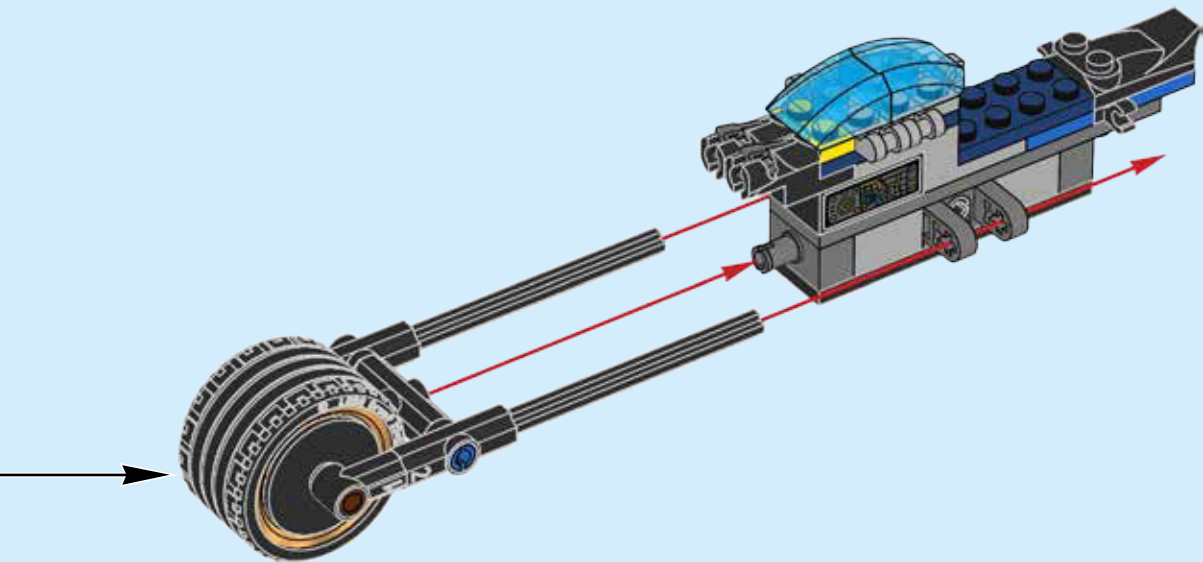




20



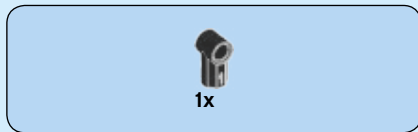
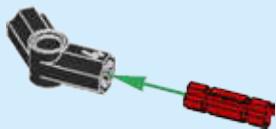
21



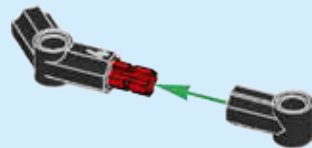


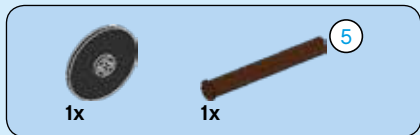


22

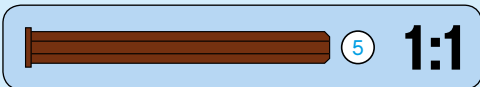


23

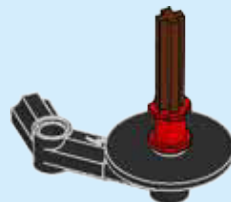




24

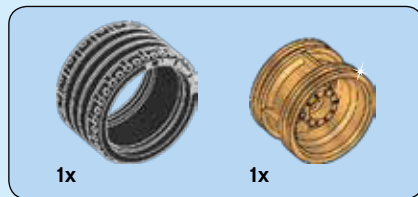
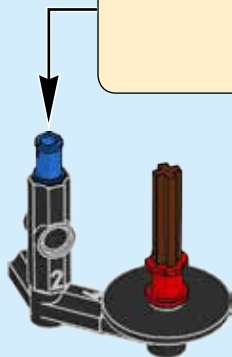
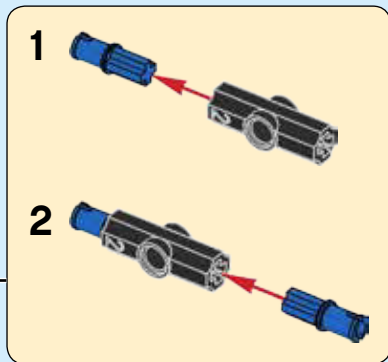


25

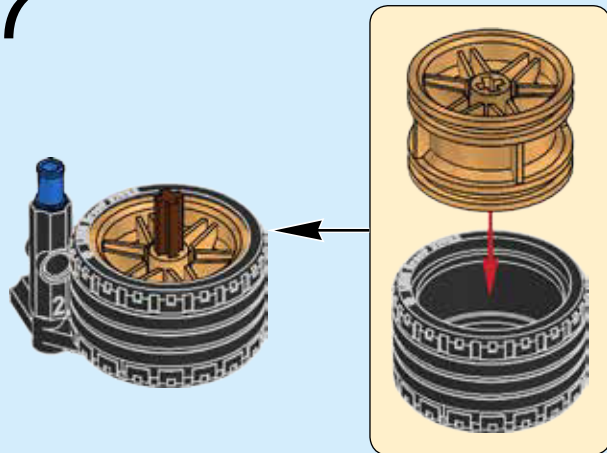




26



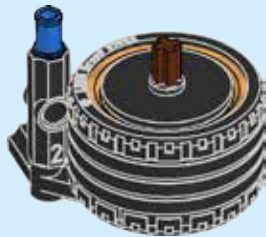
27





1x

28



20



1x



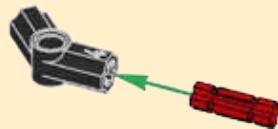
1x



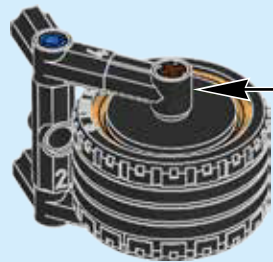
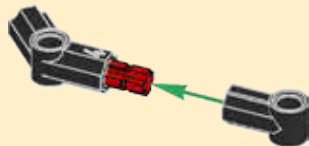
1x

29

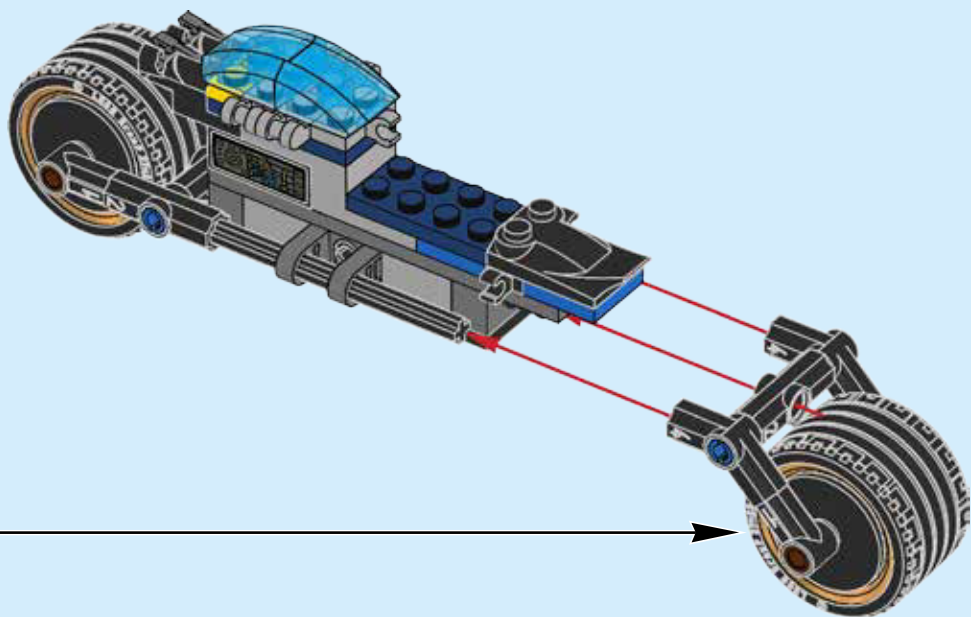
1

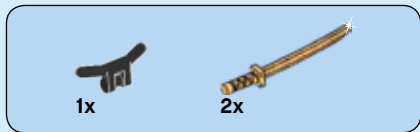


2

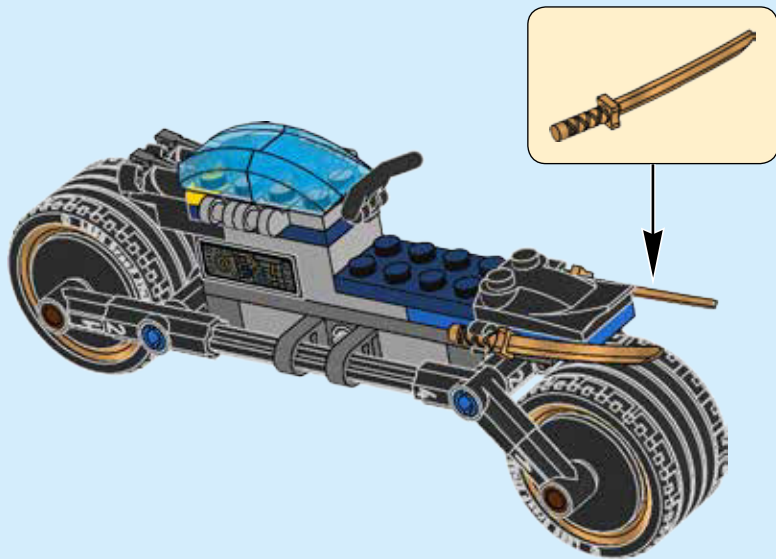


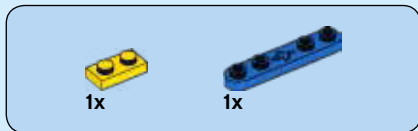
30



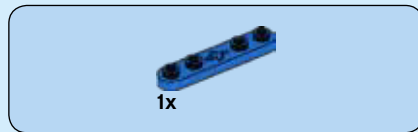
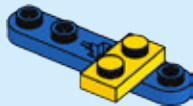


31





32



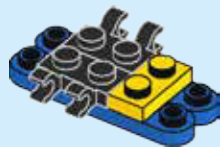
33





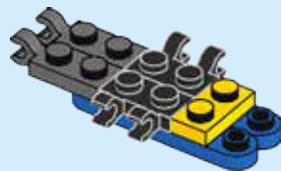
2x

34

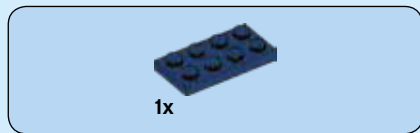


2x

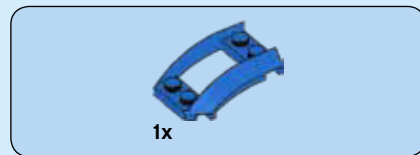
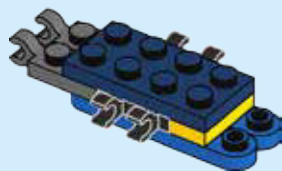
35



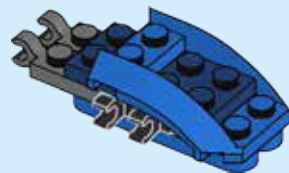




36



37



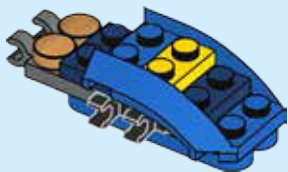


1x



2x

# 38

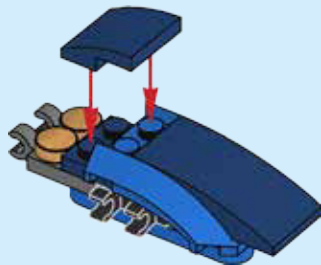


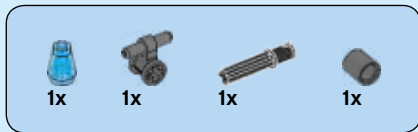
1x



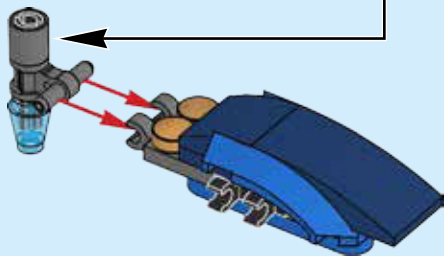
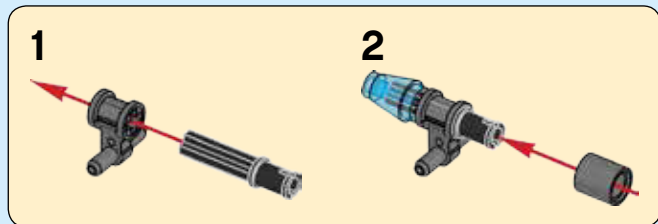
1x

# 39

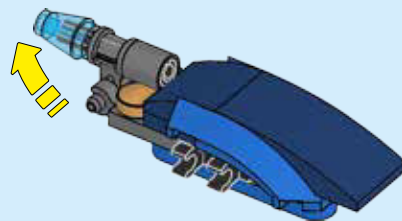




40

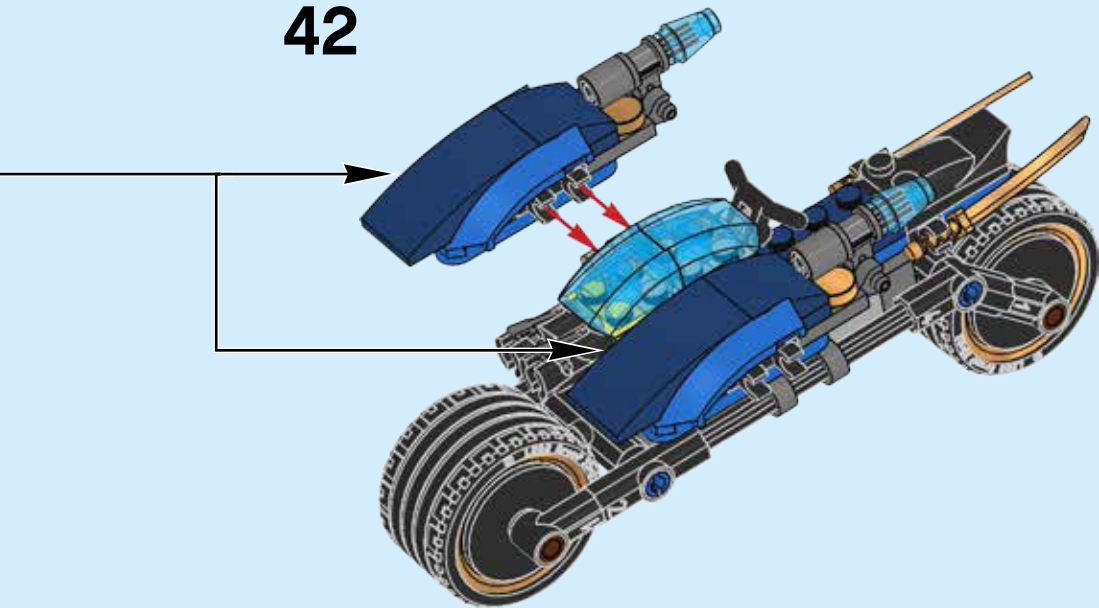


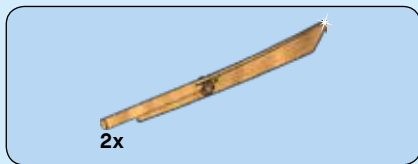
41



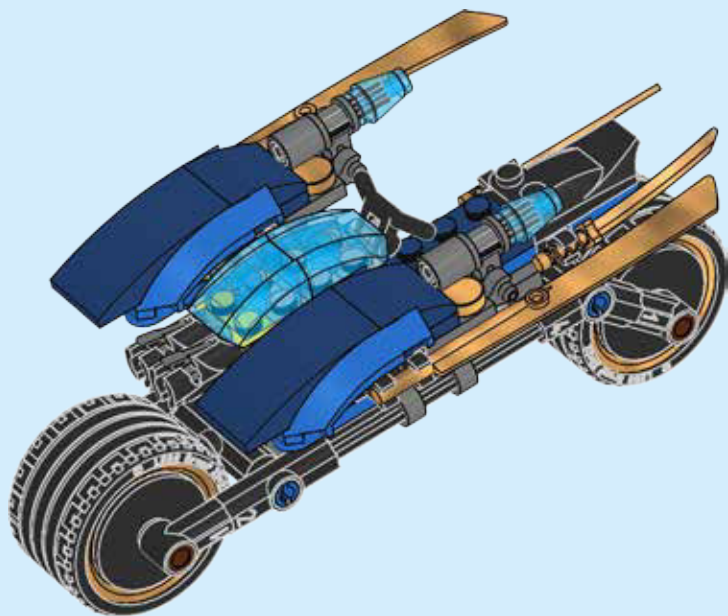
2x  
27

42





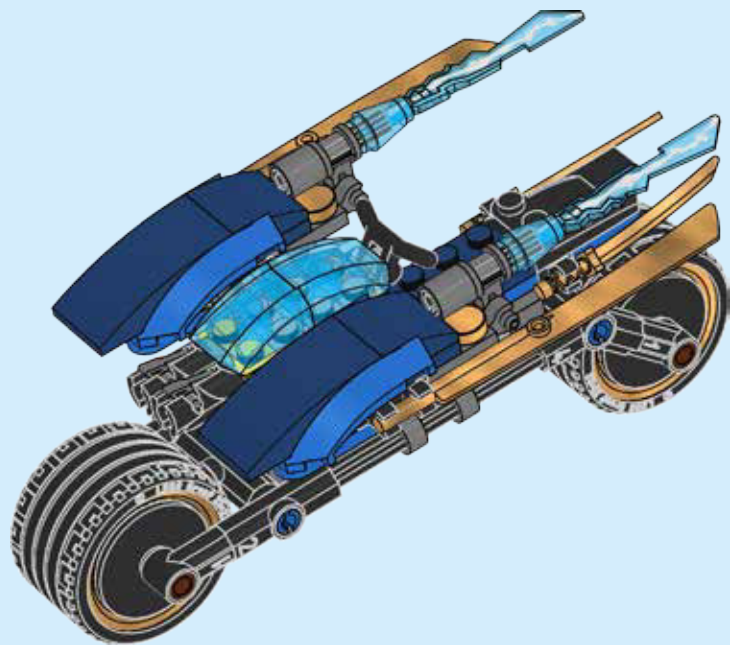
43



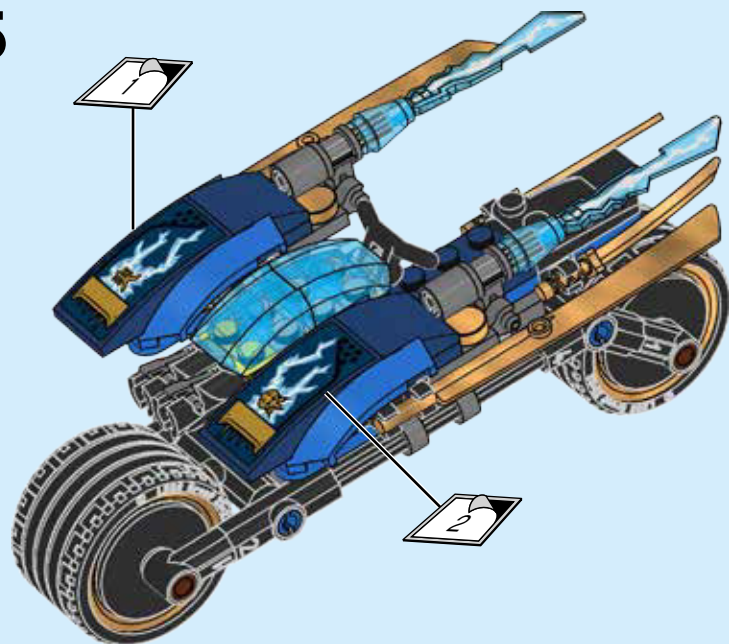


2x

44



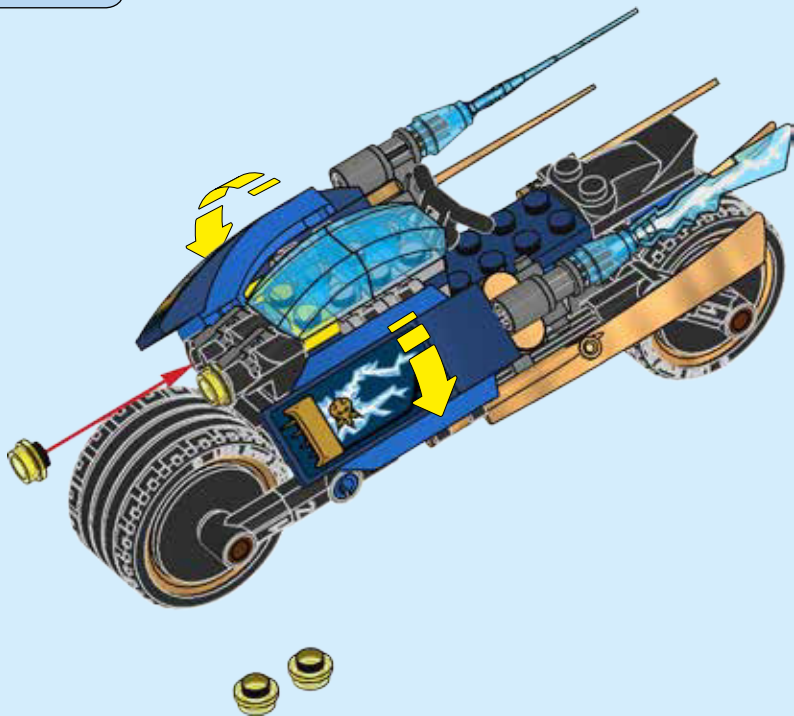
45



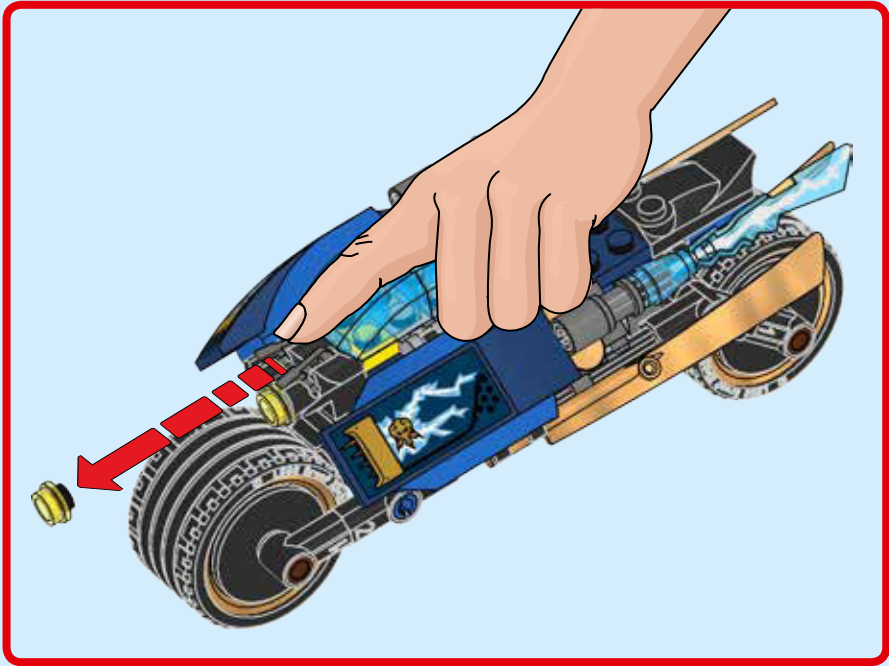


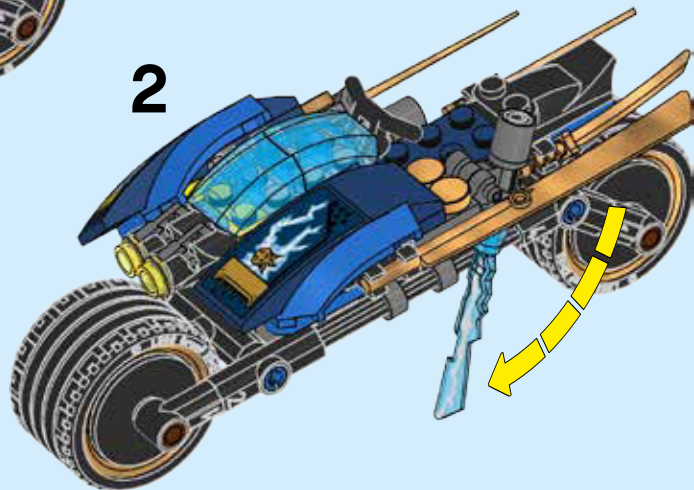
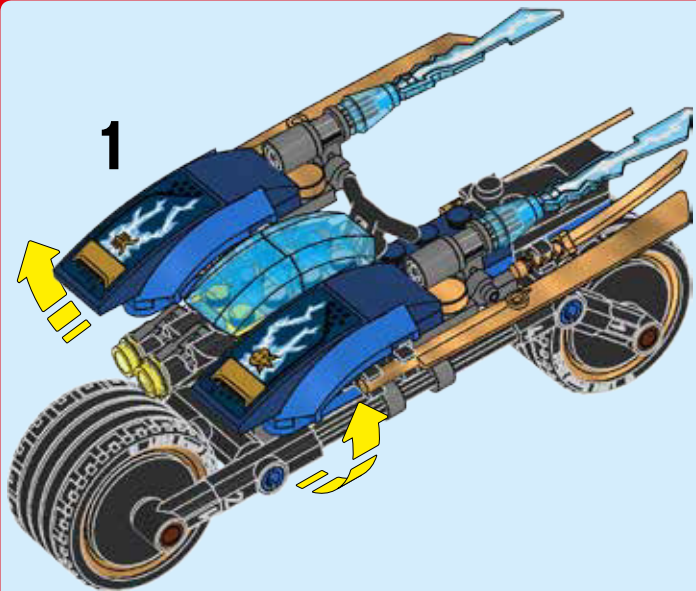
4x

46









**LEGO** NINJAGO<sup>®</sup>  
The Ride



**LEGO**  
**LEGOLAND**  
RESORTS

BILLUND • DEUTSCHLAND  
WINDSOR • MALAYSIA

**EXCLUSIVELY • EXKLUSIV • EXCLUSIVEMENT • EN EXCLUSIVA  
EXCLUSIVAMENTE • KIZÁRÓLAGOSAN • 独家所有 • EKSKLUSIVT • ここだけの特典 • ÖZEL**

**LEGO**  
**LEGOLAND**  
DISCOVERY CENTRE

Manchester • Berlin • Oberhausen  
Istanbul • Osaka • Shanghai • Tokyo



LEGO, the LEGO logo, the Brick and Knob configurations, NINJAGO, the Minifigure and LEGOLAND are trademarks of the LEGO Group.  
©2017 The LEGO Group. LEGOLAND is part of Merlin Entertainments plc.

**LEGOLAND.COM**

# WIN

GO TO [WWW.LEGO.COM/PRODUCTFEEDBACK](http://WWW.LEGO.COM/PRODUCTFEEDBACK) AND  
GIVE US YOUR SHORT **FEEDBACK** ABOUT THIS  
LEGO® SET FOR A CHANCE TO WIN  
A COOL LEGO PRIZE.

Terms & Conditions apply



## LEGO.com/productfeedback

### GEWINNE



Erzähle uns auf  
[www.LEGO.com/productfeedback](http://www.LEGO.com/productfeedback)

etwas über die Erfahrungen, die du mit  
diesem LEGO® Set gemacht hast, und  
sichere dir die Chance auf einen coolen  
LEGO Preis!

Es gelten die Teilnahmebedingungen

### GAGNE



Rends-toi sur  
[www.LEGO.com/productfeedback](http://www.LEGO.com/productfeedback)

et donne-nous quelques commentaires sur  
ce produit LEGO® pour avoir une chance  
de gagner un prix LEGO !

Voir Conditions Générales

### GANAN



Visita  
[www.LEGO.com/productfeedback](http://www.LEGO.com/productfeedback)

y envíanos tu opinión acerca de este set  
LEGO®. ¡Participarás en el sorteo de un  
premio LEGO!

Términos y Condiciones aplicables

### 获取奖品



登录  
[www.LEGO.com/productfeedback](http://www.LEGO.com/productfeedback)

给出关于此乐高®套装的简短反馈，  
就有机会获得炫酷乐高奖品

《条款及条件》适用

LEGO, the LEGO logo and NINJAGO are trademarks of the LEGO Group. ©2017 The LEGO Group.

6187457

**LEGO**

# NINJAGO

Masters of Spinjitzu



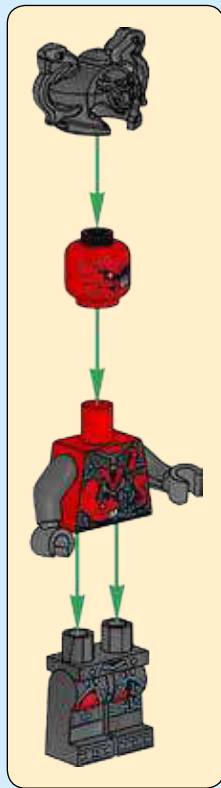
70622

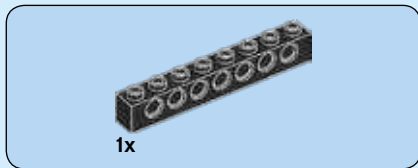
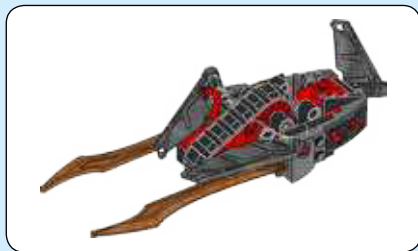


7

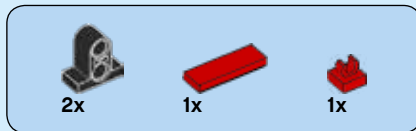
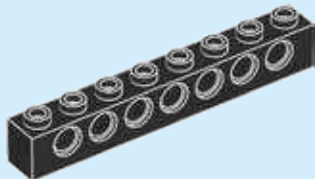
[LEGO.com/NINJAGO](http://LEGO.com/NINJAGO)



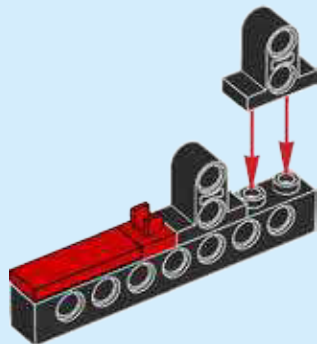




1



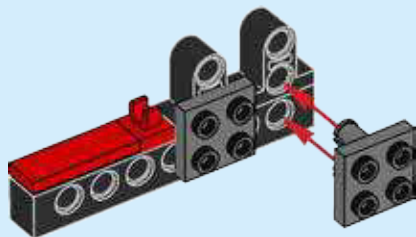
2





2x

3



4



1x

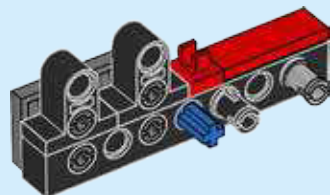
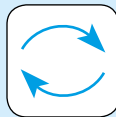


1x



1x

4

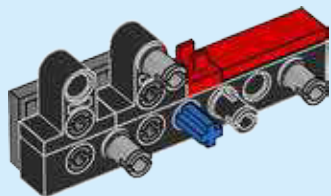






2x

5

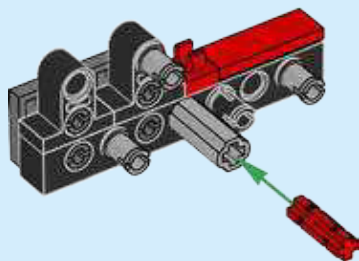


1x



1x

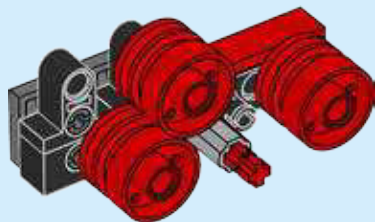
6





3x

7



6



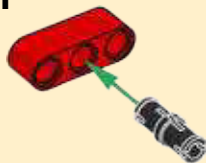
1x



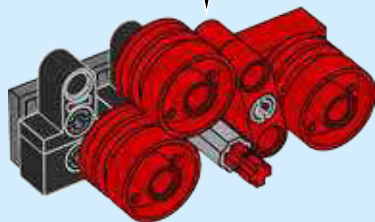
2x

8

1



2



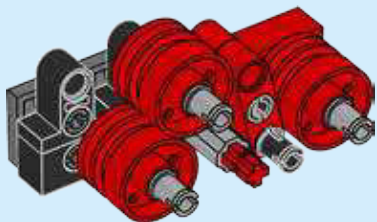


1x



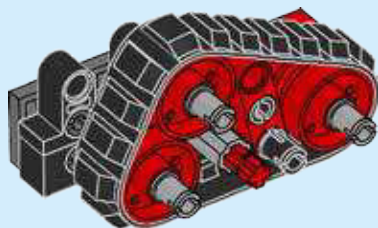
3x

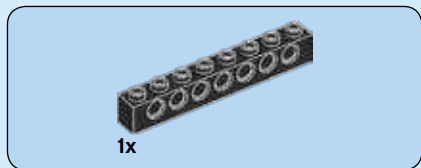
9



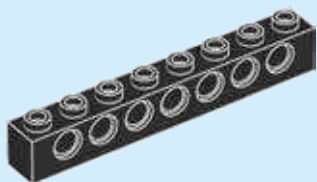
1x

10

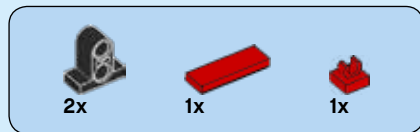




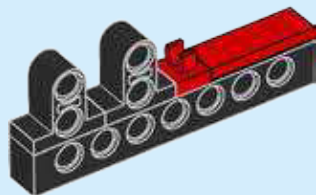
11



8



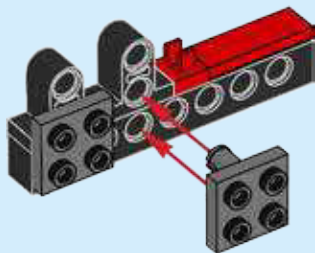
12



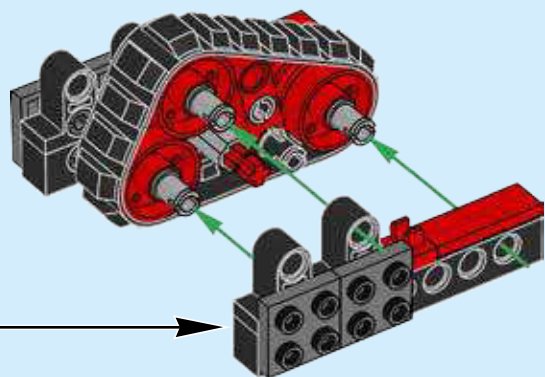


2x

13



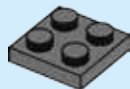
14





1x

15

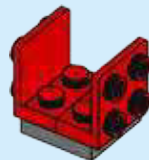


10



2x

16



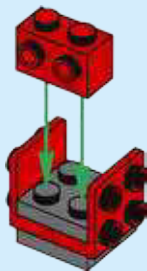


1x



1x

# 17



1x



2x



1x

# 18



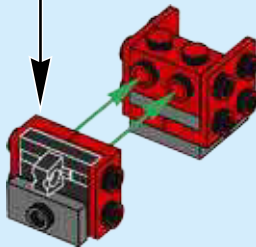
1



2



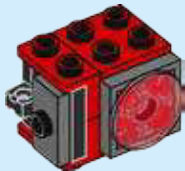
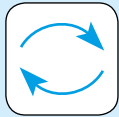
3





1x

19

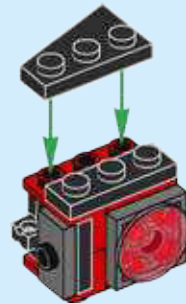


1x

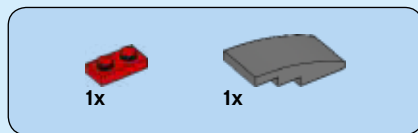


1x

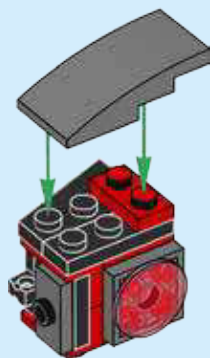
20



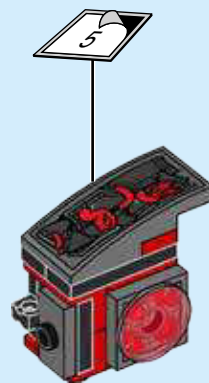




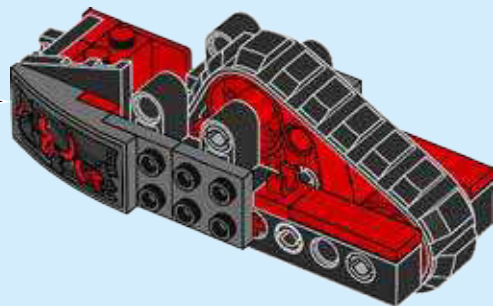
21

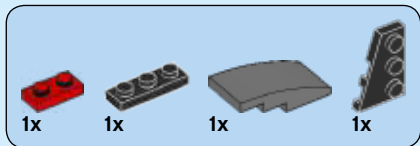


22

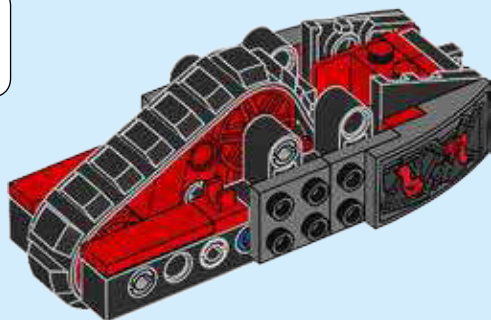
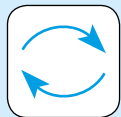
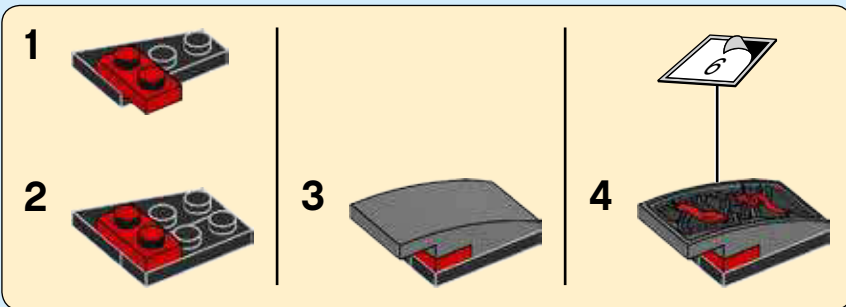


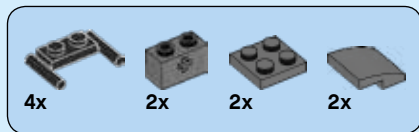
23



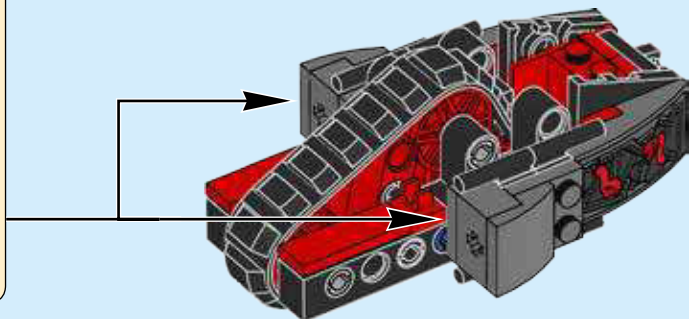
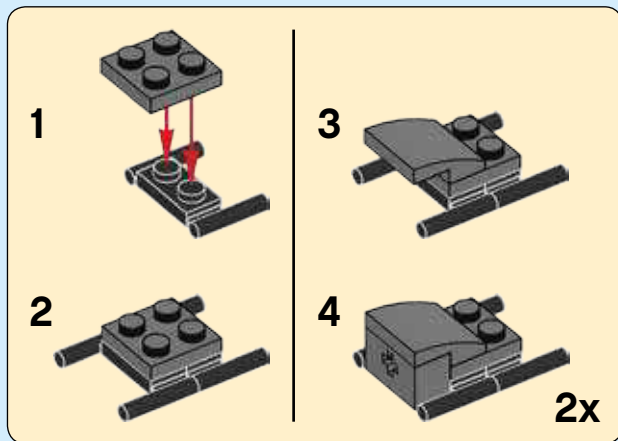


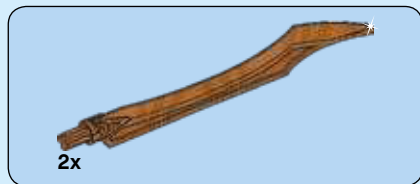
24



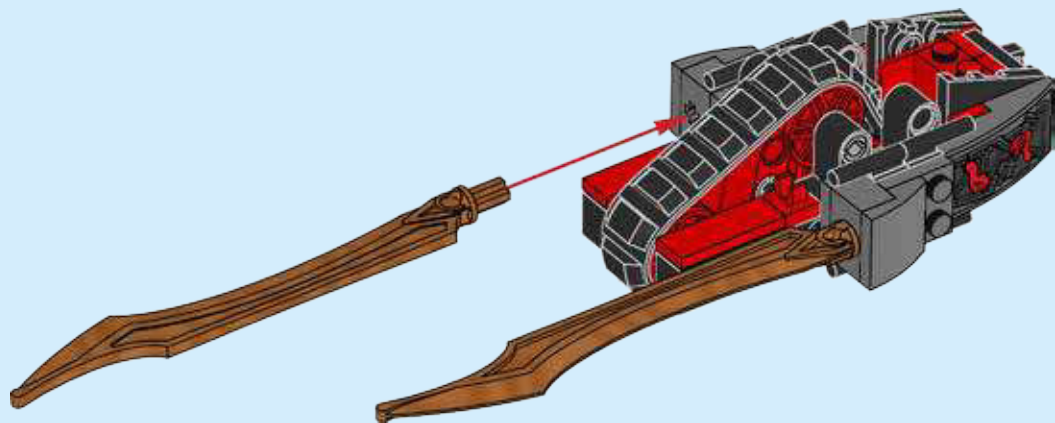


# 25





26



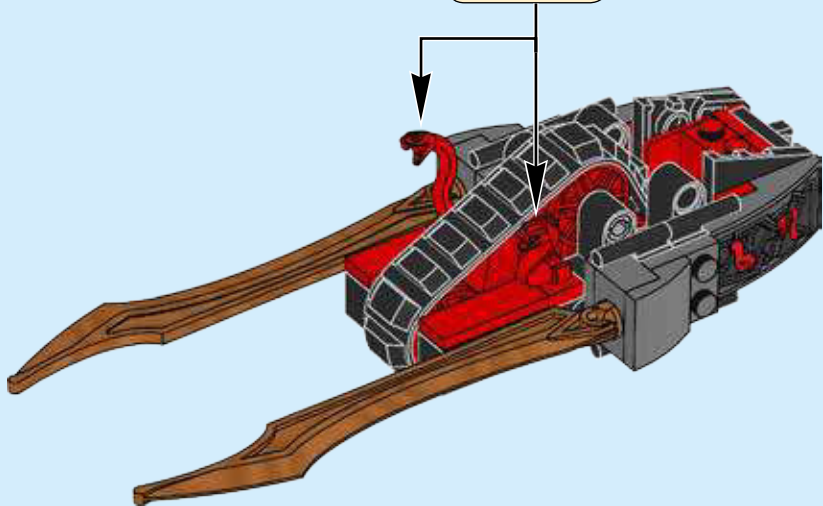


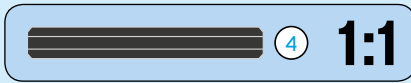
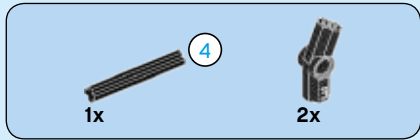
2x

27

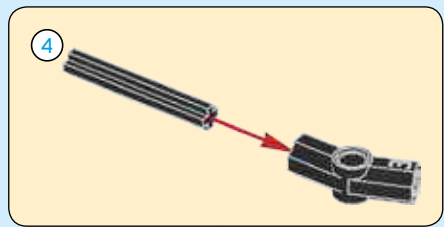
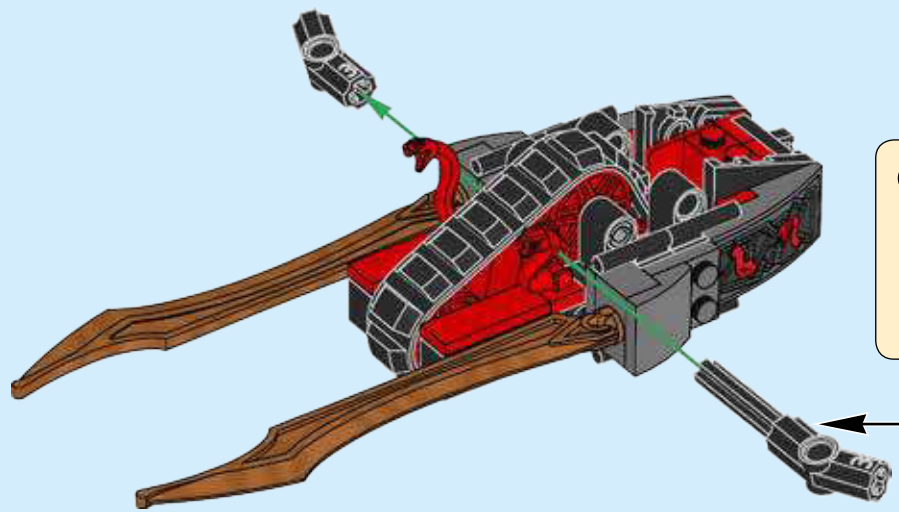


2x





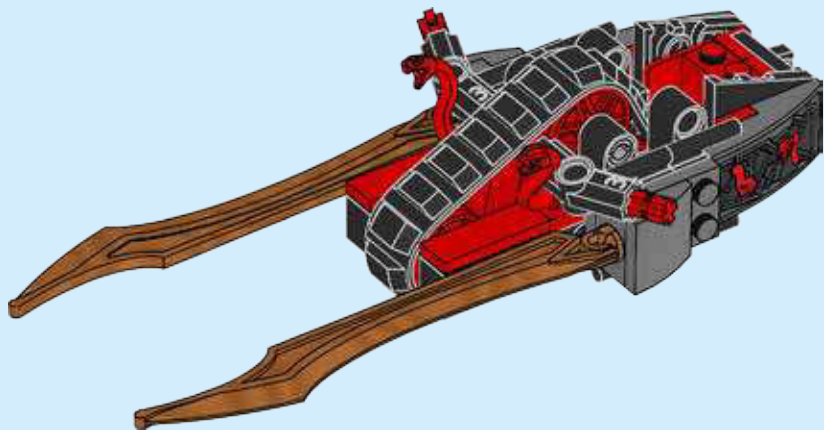
**28**





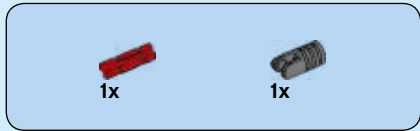
2x

29

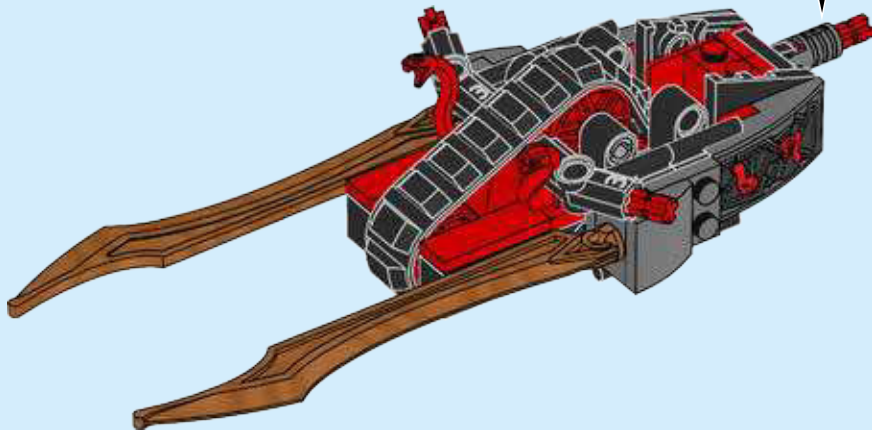
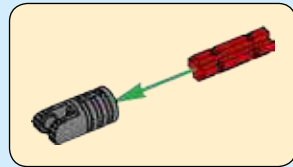


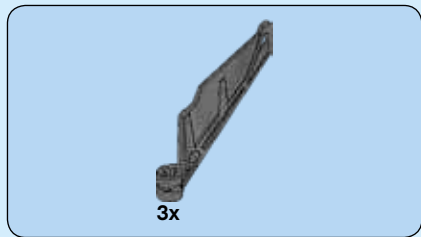
20



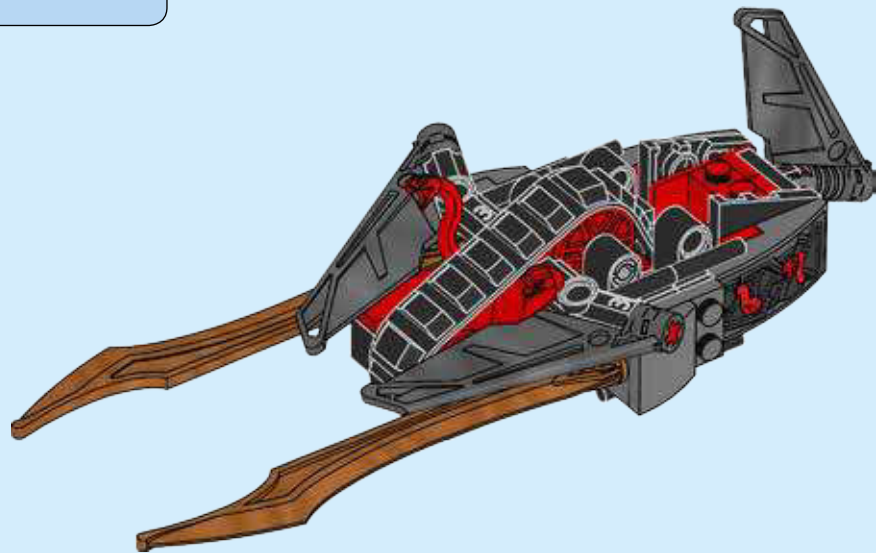


30





31







# NINJAGO

Masters of Spinjitzu





# NINJAGO

Masters of Spinjitzu



LEGO.COM/NINJAGO



# NINJAGO

Masters of Spinjitzu



[LEGO.COM/NINJAGO](http://LEGO.COM/NINJAGO)



Download on the  
App Store



ANDROID APP ON  
Google play

Apple and the Apple logo are trademarks of Apple Inc., registered in the U.S. and other countries. App Store is a service mark of Apple Inc.

Google Play is a trademark of Google Inc.

Ask parents' permission first./Bitte frage erst deine Eltern um Erlaubnis./Demande d'abord l'autorisation d'un parent./Pide antes permiso a tus padres./Pede primeiro permissão aos teus pais./Először kérj engedélyt a szüleidtől! /先请求家长的许可。





All your LEGO® fun in one app



Minifigure yourself



Share



Create



Check availability of LEGO LIFE in your country now on [LEGO.com/life](http://LEGO.com/life)  
Ask parents' permission first.

Consulta si LEGO LIFE está disponible en tu país en [LEGO.com/life](http://LEGO.com/life)  
Pide antes permiso a tus padres.

Apple and the Apple logo are trademarks of Apple Inc., registered in the U.S. and other countries.  
App Store is a service mark of Apple Inc. Google Play is a trademark of Google Inc.

Auf [LEGO.com/life](http://LEGO.com/life) erfährst du jetzt, ob LEGO LIFE in deinem Land verfügbar ist  
Bitte frage erst deine Eltern um Erlaubnis.

Verifica agora a disponibilidade de LEGO LIFE no teu país em [LEGO.com/life](http://LEGO.com/life)  
Pede primeiro permissão aos teus pais.

Vérifie la disponibilité de LEGO LIFE dans ton pays sur [LEGO.com/life](http://LEGO.com/life)  
Demande d'abord l'autorisation d'un parent.

Ellenőrizd a LEGO LIFE elérhetőségét a lakóhelyeden, most a [LEGO.com/life](http://LEGO.com/life) honlapon!  
Először kérj engedélyt a szüleidtől!

访问 [LEGO.com/life](http://LEGO.com/life) 网站, 查看乐高生活系列是否已在你所在国家上线。先请求家长的许可。

6196069

LEGO, the LEGO logo, the Minifigure, the Brick and Knob configurations and the LIFE logo are trademarks of the LEGO Group. ©2017 The LEGO Group.